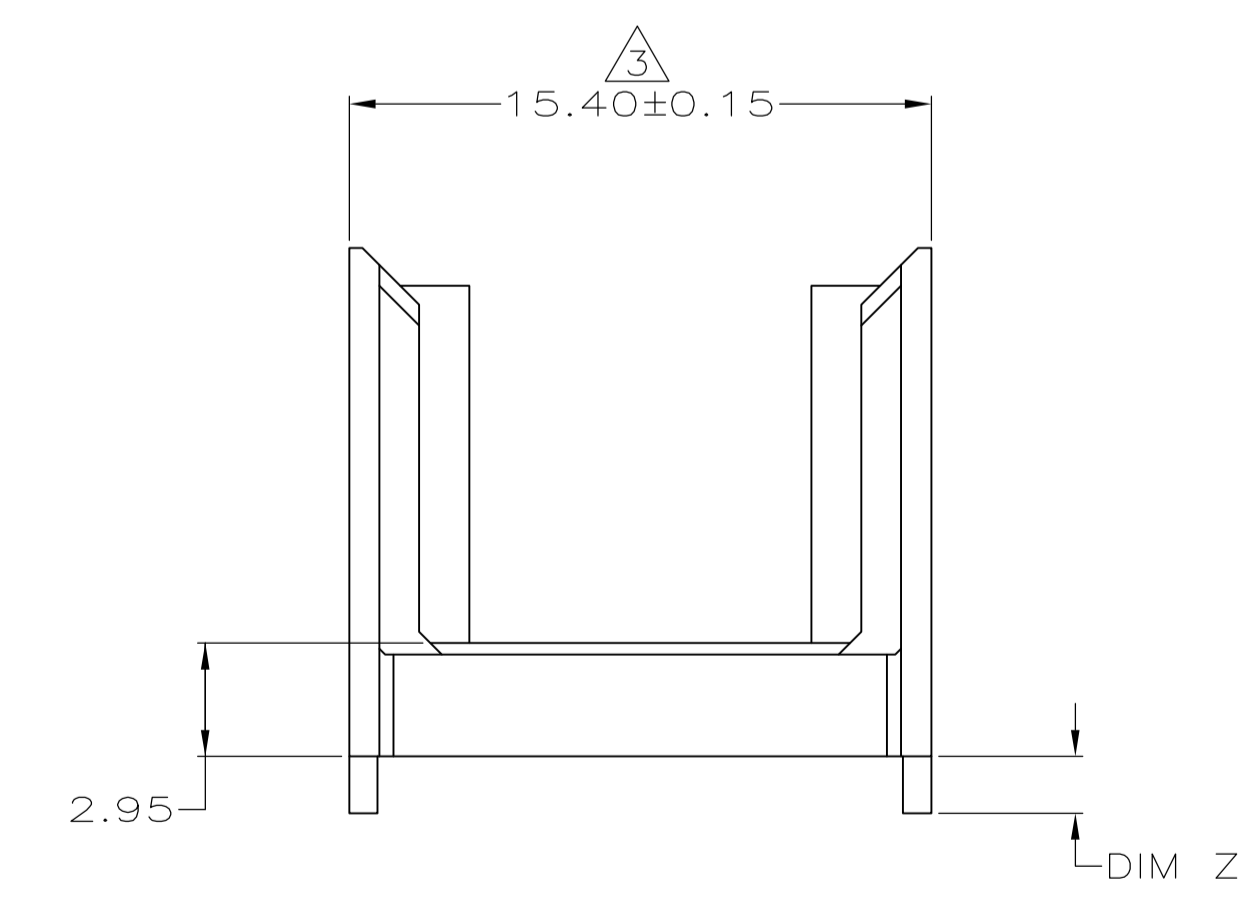
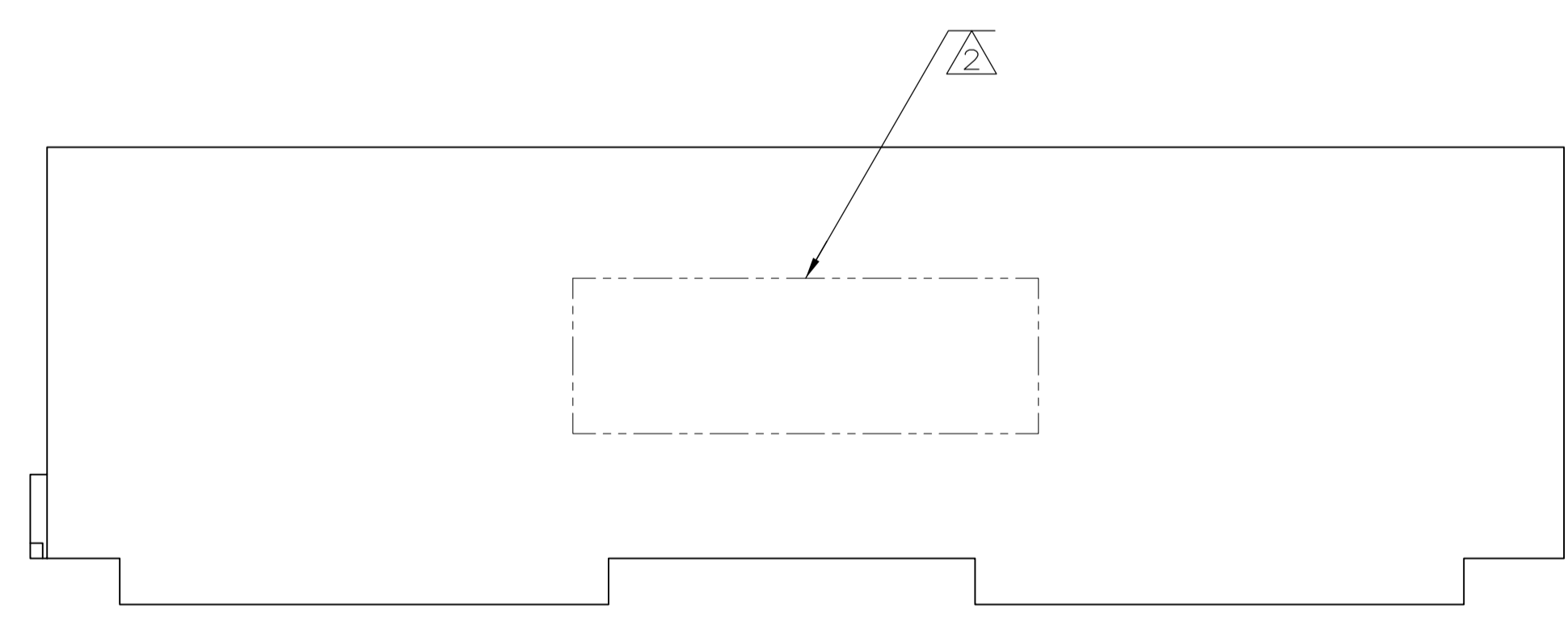
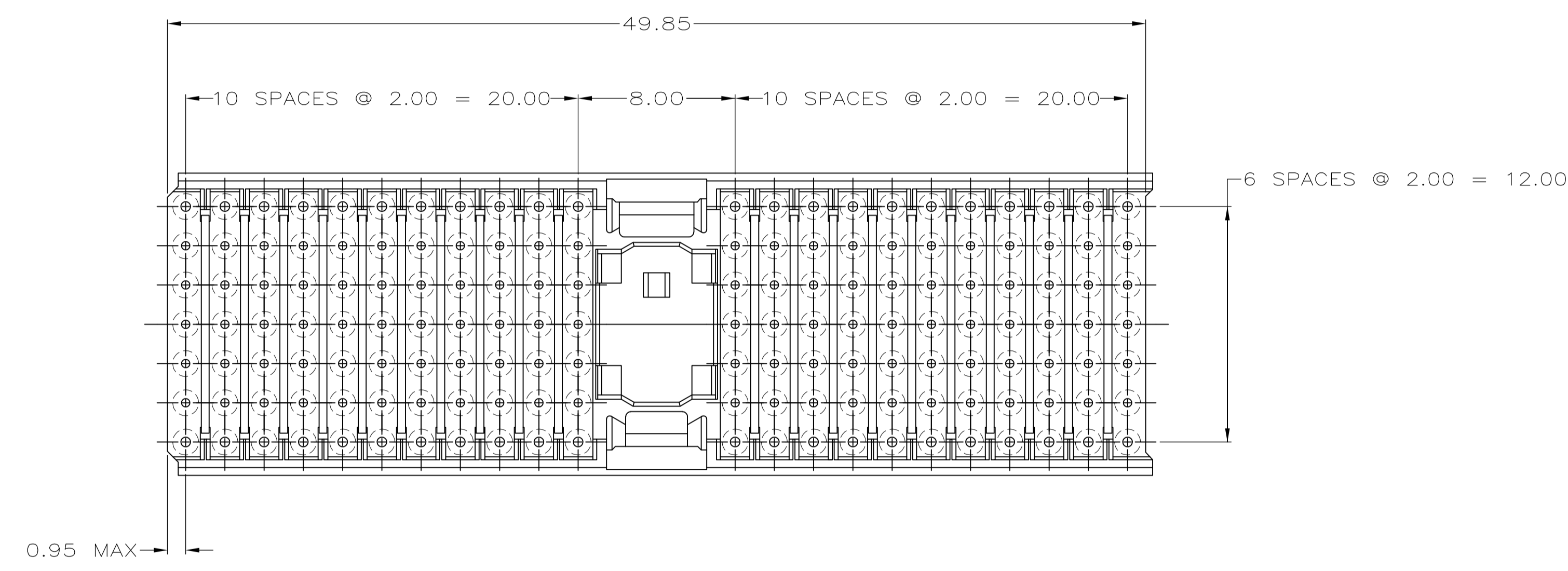
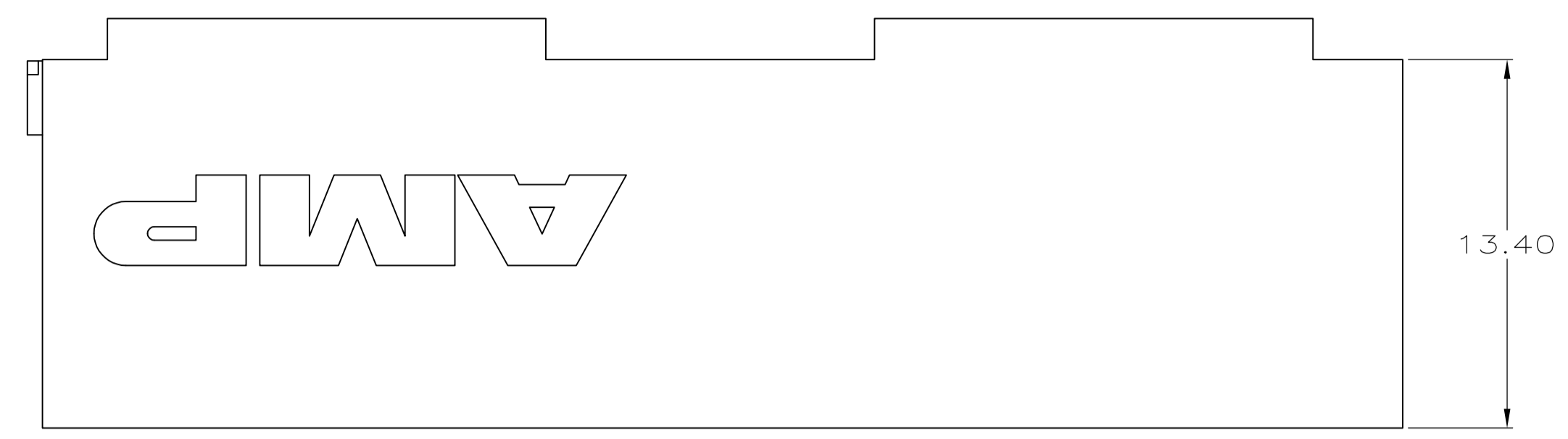


LOC		DIST		REVISIONS			
AD	47	SP	LTR	DESCRIPTION	DATE	DWN	APVD
		C		REV PER EC 0U1B-0192-01	27 JUN 01	BC	RP
		C1		REVISED PER ECO-10-000443	15JAN10	KK	AEG
		D		ECR-10-019054	15SEP10	DP	MQW

- ① MATERIAL: GLASS FILLED POLYESTER.
- ② PART NUMBER MARKED IN APPROXIMATE AREA SHOWN.
- ③ TO BE MEASURED AT BASE OF SHROUD.
- ④ OBSOLETE PARTS: OBSOLETE CIS STREAMLINING PER D.RENAUD/D.SINISI



DIM Z	PART NUMBER
1.90	646478-7
1.70	646478-6
1.50	646478-5
1.30	646478-4
1.10	646478-3
0.90	646478-2
	646478-1
DIM Z	PART NUMBER

THIS DRAWING IS A CONTROLLED DOCUMENT

DIMENSIONS: mm	TOLERANCES UNLESS OTHERWISE SPECIFIED:	DWN: T. SHUEY 6-16-98	AMP Incorporated Harrisburg, PA 17105-3608
0-PLG ±	0-PLG ±	CHK: G. SKIPPER 11-23-98	
1-PLG ±	1-PLG ±	APVD: G. SKIPPER 11-23-98	
2-PLG ±0.05	2-PLG ±0.05 ±0.2	NAME: SHROUD, TYPE A,Z-PACK 2mm HM, 5 ROW, 154 POSITION, WITH GUIDE	
3-PLG ±	3-PLG ±	APPLICATION SPEC: -	
4-PLG ±	4-PLG ±	SIZE: A100779	RESTRICTED TO: -
ANGLES ±	ANGLES ±	WEIGHT: -	
MATERIAL: ①	FINISH: -	CUSTOMER DRAWING	SCALE: 5:1 SHEET 1 OF 1 REV D

单击下面可查看定价，库存，交付和生命周期等信息

[>>TE Connectivity\(泰科\)](#)