

4

3

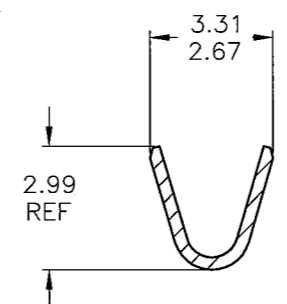
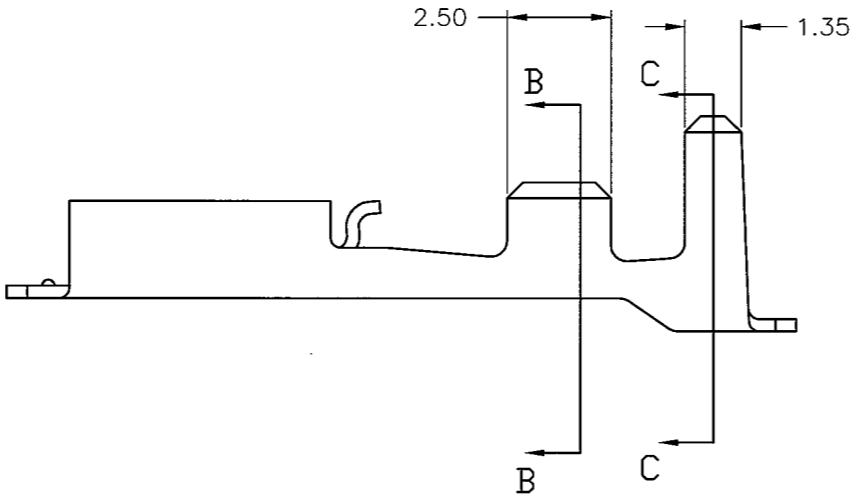
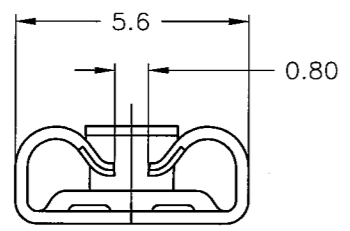
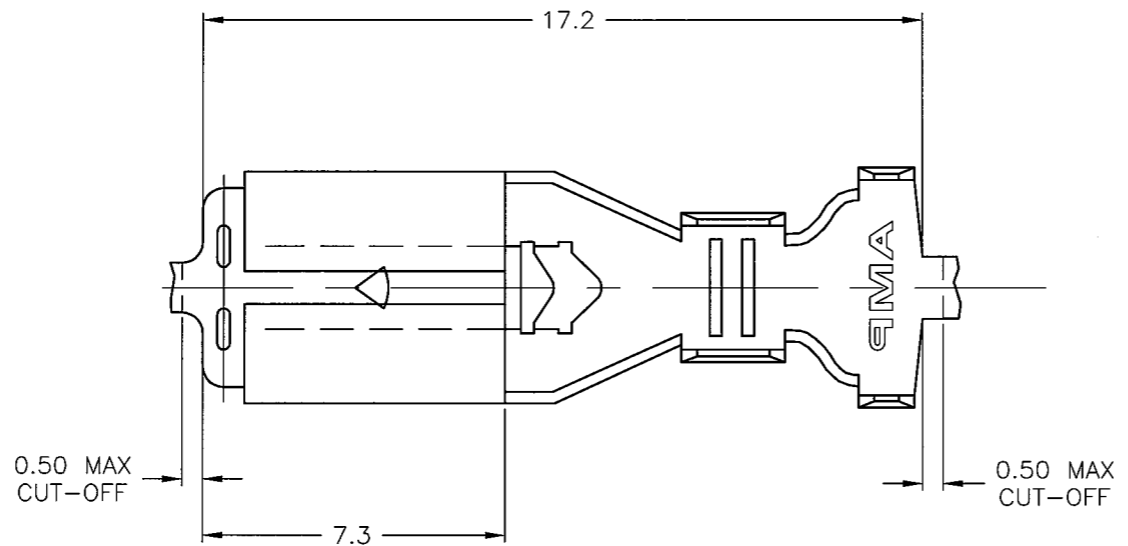
2

1

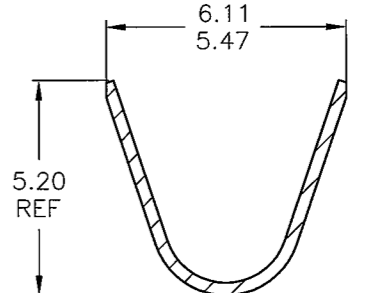
THIS DRAWING IS UNPUBLISHED. RELEASED FOR PUBLICATION  
 © COPYRIGHT - By - ALL RIGHTS RESERVED.

Loc		DIST		REVISIONS			
P	LTR	DESCRIPTION	DATE	DWN	APVD		
AF	50	B	REVISED ECR-11-009084	2MAY2011	T.K	N.Y	

- 1 CONTINUOUS STRIP ON REELS
- 2 WIRE SIZE IS 0.5-1.3mm<sup>2</sup>  
REF CRIMP - 2.03, F STYLE
- 3 INSULATION RANGE IS 2.3-3.6 DIA.  
REF CRIMP - 3.94, OVERLAP STYLE



SECTION B-B



SECTION C-C

1742669-1  
 PART NO.

THIS DRAWING IS A CONTROLLED DOCUMENT.		DWN jr_ruth 29DEC07	TE Connectivity	
DIMENSIONS: mm		CHK ED HOWARD 03JAN08	NAME ED HOWARD 03JAN08	
TOLERANCES UNLESS OTHERWISE SPECIFIED:		APVD ED HOWARD 03JAN08	PRODUCT SPEC	
0 PLC ± -		APPLICATION SPEC		
1 PLC ± -		WEIGHT		
2 PLC ± 0.15		SIZE A2		
3 PLC ± 0.15		CAGE CODE 00779		
4 PLC ± -		DRAWING NO C=1742669		
ANGLES ± 1°		RESTRICTED TO		
FINISH		SCALE 8:1		
MATERIAL STEEL 3/4 HARD		SHEET 1 of 1		
		REV B		
		CUSTOMER DRAWING		

1742669

B

A

单击下面可查看定价，库存，交付和生命周期等信息

[>>TE Connectivity\(泰科\)](#)