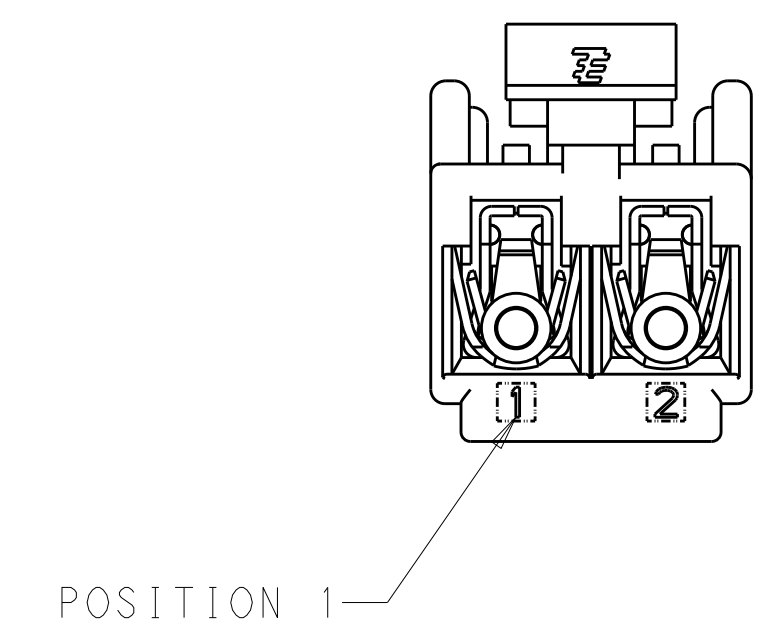
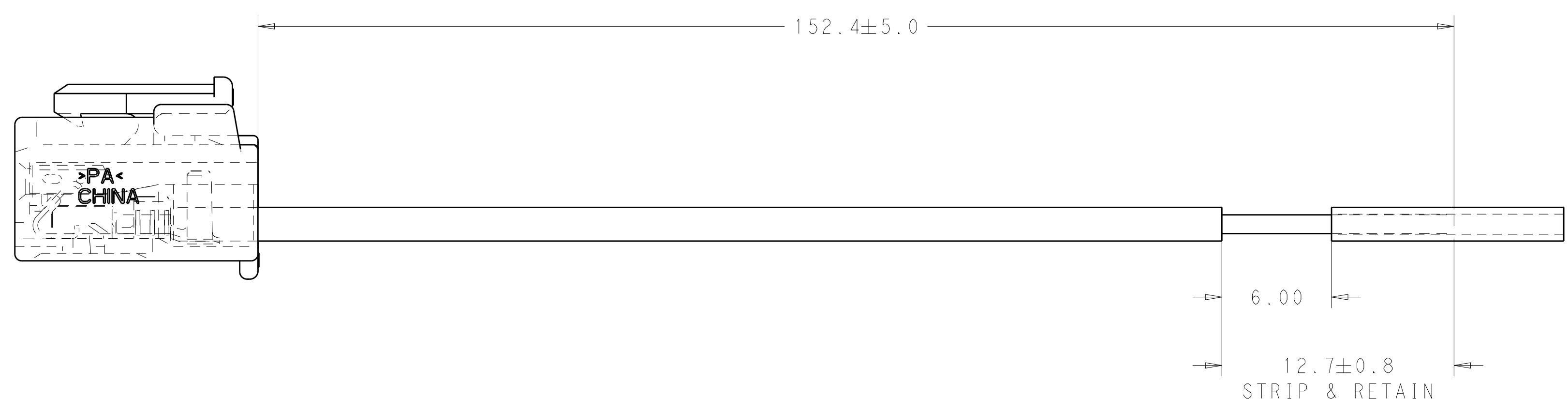
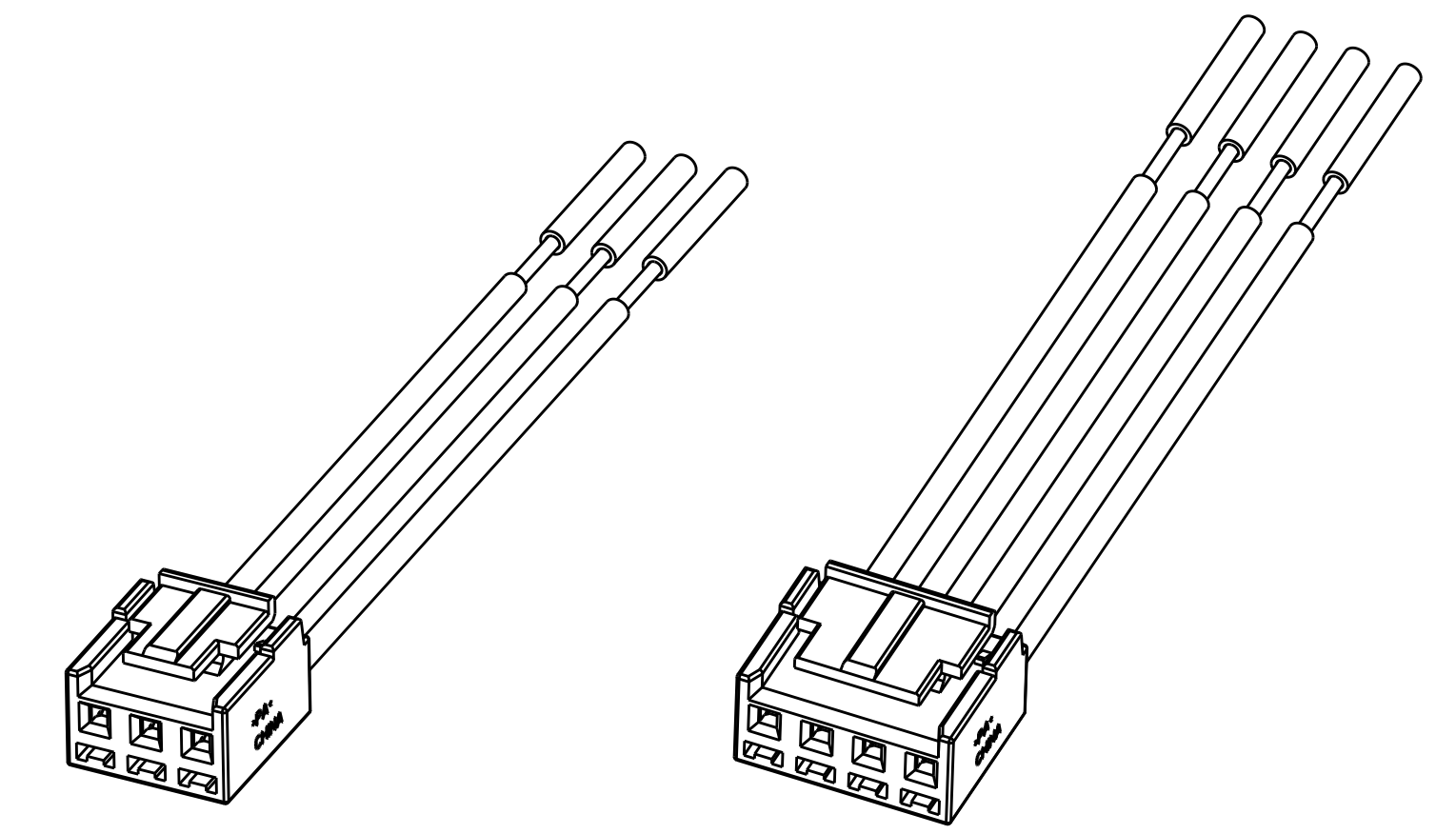
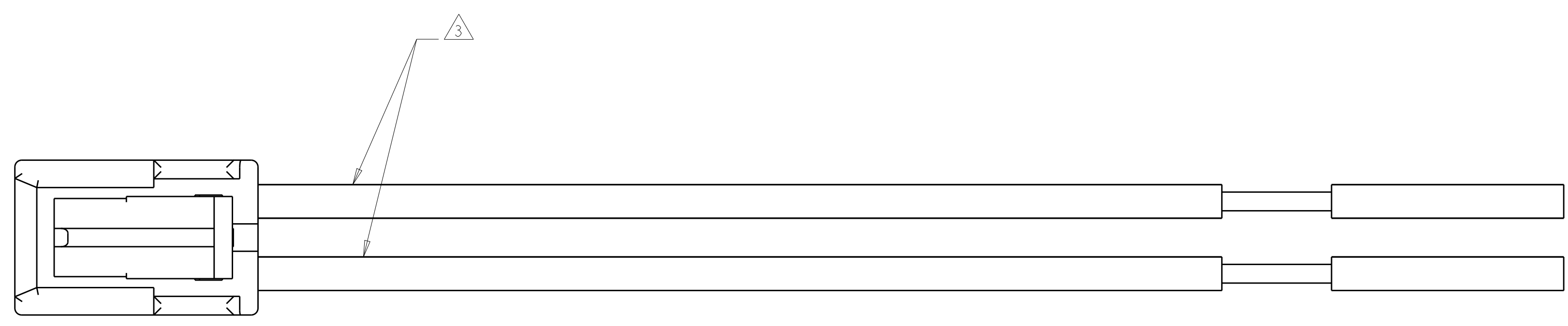


REVISONS		DATE	DWN	APVD
P	LTN			
A		10APR2013	RS	DD



- 1 MATERIALS AND FINISH:  
 -HOUSING: PBT, COLOR: NATURAL  
 -CONTACTS: COPPER ALLOY, FINISH: PRE-TIN  
 -WIRE: 18AWG STRANDED, UL 1007 STYLE
- 2. MUST COMPLY WITH DIRECTIVE 2002/95/EC (RHOS)
- 3 REFER TO TABLE FOR WIRE COLORS
- 4 PENDING APPROVAL

P/N: 2154828-1 (2 POSITION)  
SCALE 5:1

WIRE COLOR CHART			
4	-	-	ORANGE
3	-	BLUE	BLUE
2	RED	RED	RED
1	BLACK	BLACK	BLACK
POSN.	WIRE COLOR		
PART NUMBER	-1	-2	-3

4	2154828-3
3	2154828-2
2	2154828-1
NO. POSN.	PART NUMBER

THIS DRAWING IS A CONTROLLED DOCUMENT.		DWN G. PETERS 03FEB2012	TE Connectivity
DIMENSIONS: mm		CHK C. GINGRICH 03FEB2012	
TOLERANCES UNLESS OTHERWISE SPECIFIED:		APVD C. GINGRICH	NAME
0 PLC	±	PRODUCT SPEC	CABLE ASSEMBLY, 18AWG WIRE, TO ECONOMY POWER II, PLUG, 3.96 PITCH
1 PLC	±0.13	APPLICATION SPEC	
2 PLC	±	WEIGHT	
3 PLC	±	Customer Drawing	
4 PLC	±	SIZE CAGE CODE DRAWING NO	A100779C=2154828
ANGLES	±	RESTRICTED TO	
FINISH		SCALE	1:1
		SHEET	1 OF 1
		REV	A

单击下面可查看定价，库存，交付和生命周期等信息

[>>TE Connectivity\(泰科\)](#)