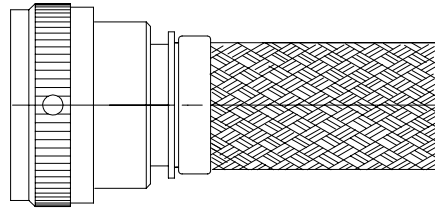


REVISIONS			
LTR	DESCRIPTION	DATE	APPROVED
C	REVISED PER ECN AD93032		



CODE 51, SHIELDED STRAIGHT ADAPTER

NOTES:

1. THIS PRODUCT IS DESIGNED TO TERMINATE A HEAT SHRINKABLE LIPPED BOOT TO A CONNECTOR.
2. FOR ADDITIONAL DIMENSIONS, ORDERING INFORMATION AND MODIFICATIONS, SEE CH00-0250-004.
3. ADAPTER TO BE PERMANENTLY MARKED WITH CODE IDENT. NO. AND PART NO. (E.G.: 06090-207M012-19C06).
- ④ BRAID TERMINATION RING MAY BE SUPPLIED AS TINEL-LOCK SHAPE MEMORY RING AT MANUFACTURER'S OPTION.
- ⑤ ADAPTER MATES TO MIL-C-26500 (CLASS F,G & R) AND MIL-C-3800 CONNECTORS.
- ⑥ ANTI-ROTATIONAL SET SCREW, THREE THREADED HOLES 120° ± 5° APART, SINGLE MATING SET SCREW SUPPLIED: AN565DC4H2.

If this document is printed it becomes uncontrolled.
Check with document control for latest revision.

SPECIFICATION CONTROL DRAWING

UNLESS OTHERWISE SPECIFIED DIMENSIONS ARE IN INCHES. METRIC DIMENSIONS ARE IN BRACKETS.

DECIMALS
 .XXX ± — [mm]
 .XX ± — [mm]
 .X ± — [mm]

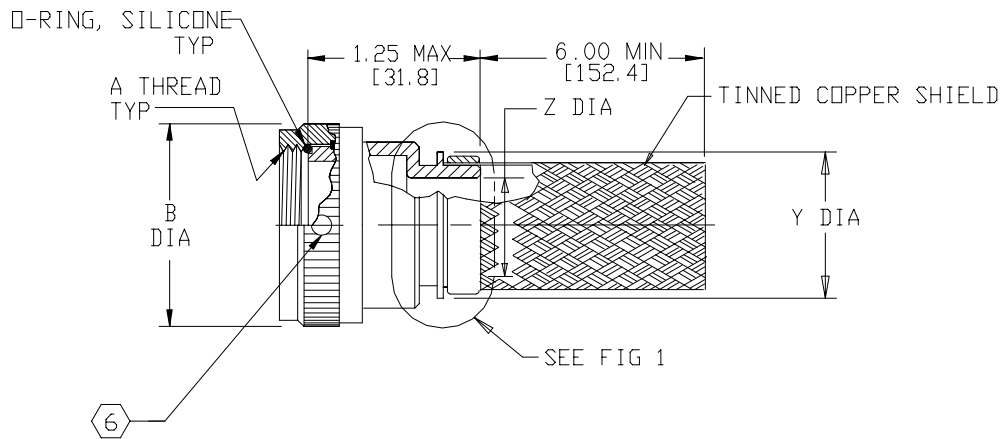
ANGLES
 .X ± —

DRAWN J. BITTER	DATE 08-11-93
CHECKED	DATE
APPROVED	DATE
APPROVED	DATE
CAD NAME \ACAD12\207M0XX	

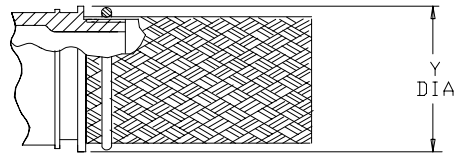
Raychem RAYCHEM CORPORATION
 300 CONSTITUTION DRIVE
 MENLO PARK, CALIFORNIA 94025

TITLE
 ADAPTER, SHIELD, STRAIGHT
 CODE 51

THIRD ANGLE PROJECTION	SIZE A	CODE IDENT. NO. 06090	DWG. NO. 207M0XX	REV C
Downloaded From Oneyac.com			SHEET 1 OF 3	



STRAIGHT ADAPTER




TINEL-LOCK TERMINATION

FIG 1 4

If this document is printed it becomes uncontrolled.
Check with document control for latest revision.

SIZE	CODE	IDENT. NO.	DWG. NO.	REV
A		04090	207M0XX	C

TABLE I						
BASE PART NO.	SHELL SIZE 	ENTRY SIZE	A THREAD CLASS 2B	B DIA MAX	Y DIA REF	Z DIA ±.020 [±0.52]
207M008	8	04	.438-28 UNEF	.781 [19.84]	4.57 [11.61]	.250 [6.35]
207M010	10	05	.562-24 UNEF	.906 [23.02]	.519 [13.18]	.312 [7.92]
207M012	12	06	.750-20 UNEF	1.094 [27.79]	.582 [14.78]	.375 [9.53]
207M014	14	08	.812-20 UNEF	1.156 [29.36]	.707 [17.96]	.500 [12.70]
207M016	16	10	.938-20 UNEF	1.281 [32.54]	.832 [21.13]	.525 [13.34]
207M018	18	12	1.062-18 UNEF	1.406 [35.71]	.957 [24.31]	.750 [19.05]
207M020	20	12	1.188-18 UNEF	1.531 [38.89]	.957 [24.31]	.750 [19.05]
207M022	22	16	1.312-18 UNEF	1.656 [42.06]	1.207 [30.66]	1.000 [25.40]
207M024	24	16	1.438-18 UNEF	1.781 [45.24]	1.207 [30.66]	1.000 [25.40]

If this document is printed it becomes uncontrolled.
Check with document control for latest revision.

SIZE	CODE	IDENT. NO.	DWG. NO.	REV
A	04	090	207M0XX	C

单击下面可查看定价，库存，交付和生命周期等信息

[>>TE Connectivity\(泰科\)](#)