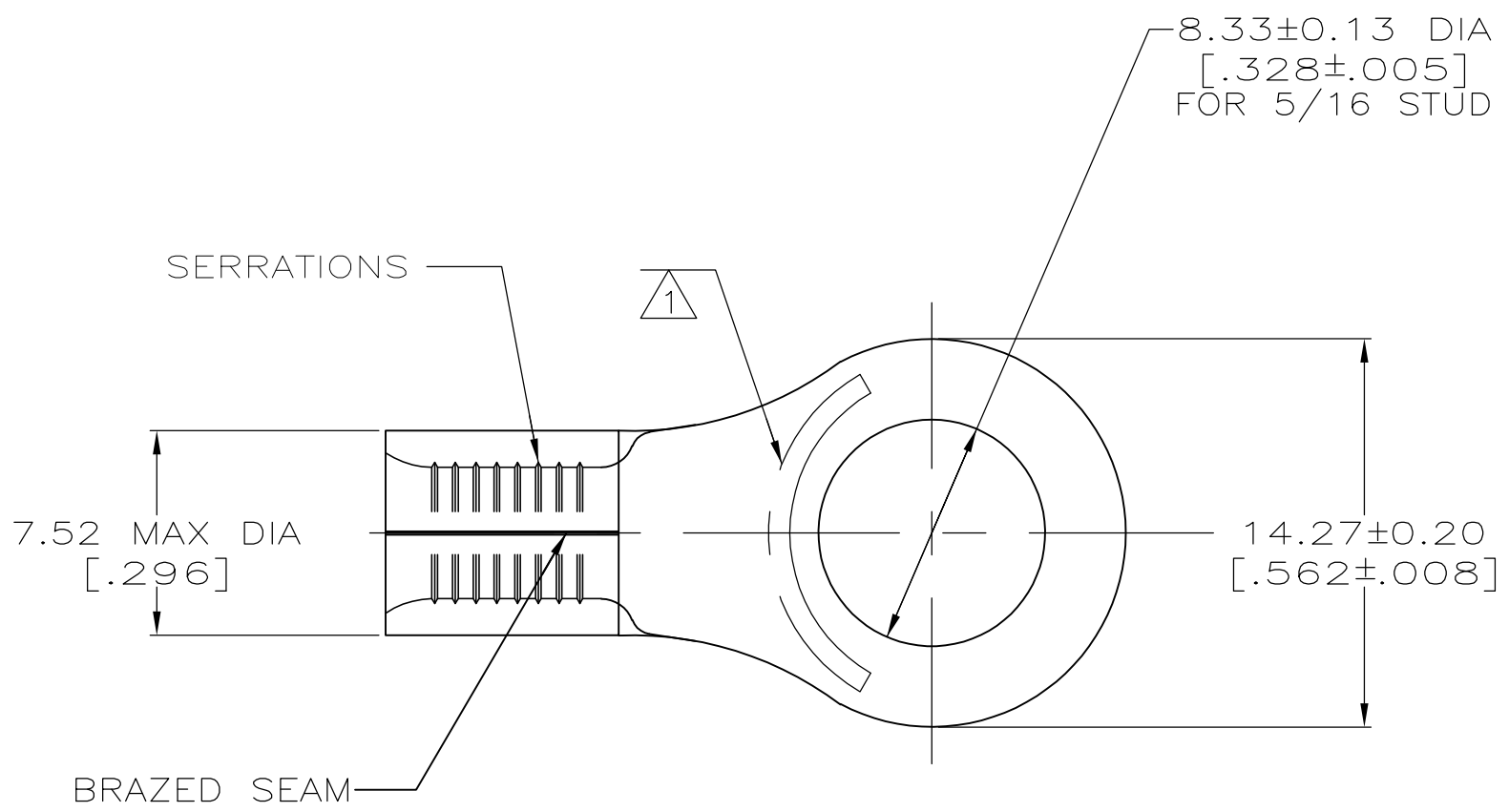


THIS DRAWING IS UNPUBLISHED. RELEASED FOR PUBLICATION  
 © COPYRIGHT - By - ALL RIGHTS RESERVED.

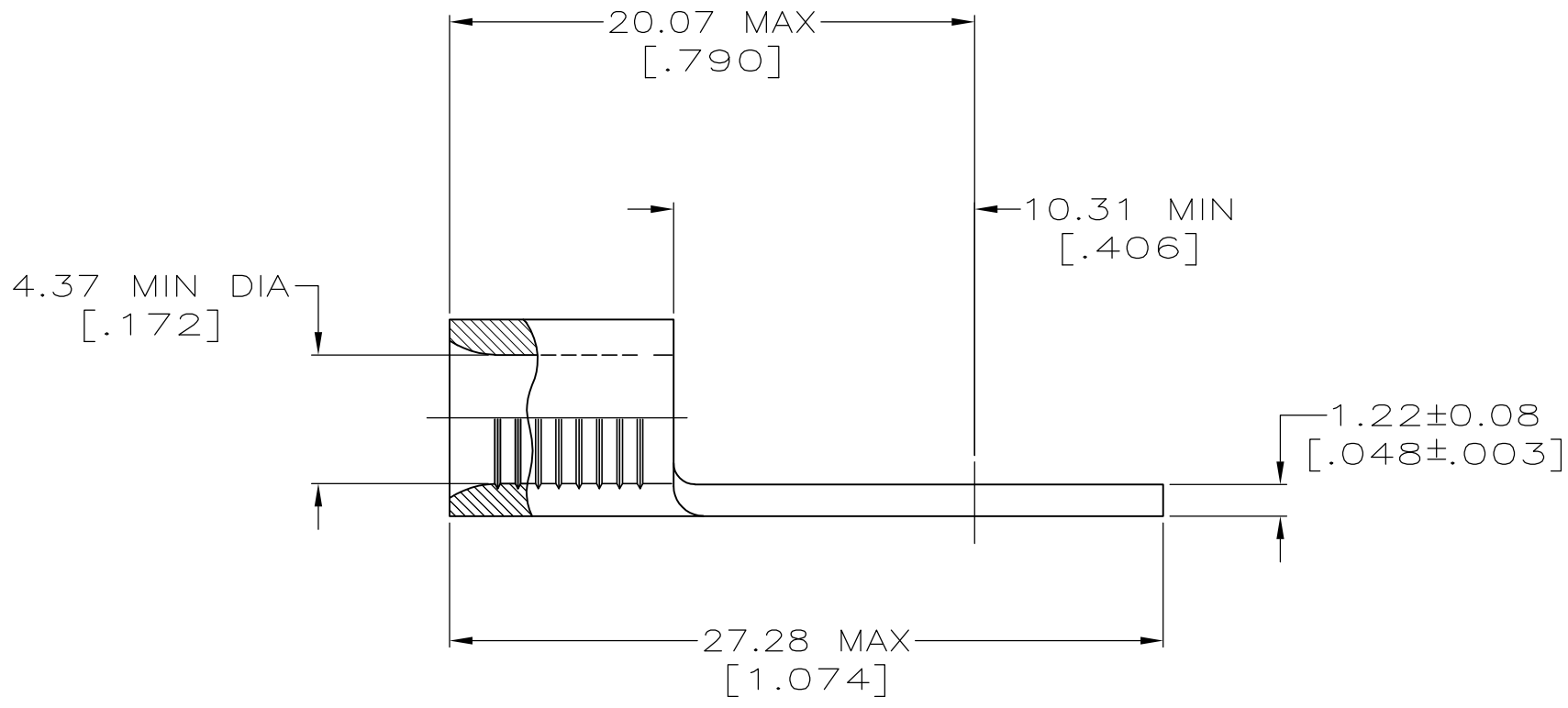
LOC	DIST	REVISIONS			
P	LTR	DESCRIPTION	DATE	OWN	APVD
G	14	C2	REVISED PER ECO-11-005027	11MAR11	RK HMR



**AMP**  
 WIRE RANGE

8 AWG  
 SOLID OR STRANDED

- ① STAMP AMP 8\* APPROX AS SHOWN
- ② COPPER PER ASTM B-152, ANNEALED
- ③ NICKEL PLATE 0.00762 [.000300] MIN THK PER QQ-N-290



323167  
 PART NO.

MAX RECOMMENDED OPERATING TEMPERATURE: 34.3°C MAX  VOLTAGE RATING: N/A  CIRCULAR MIL AREA: 6.64-10.5mm² [13,100-20,800] SOLID OR STRANDED	THIS DRAWING IS A CONTROLLED DOCUMENT.		DWN TA BRINKMAN 4-19-93 CHK DA PATTERSON 4-19-93 APVD JL MECKLEY 4-19-93	<b>STE</b> TE Connectivity NAME TERMINAL, RING TONGUE, HEAT RESISTANT, STRATO-THERM	SIZE CAGE CODE DRAWING NO A2 00779 G-323167	RESTRICTED TO -
	DIMENSIONS: mm[INCHES]	TOLERANCES UNLESS OTHERWISE SPECIFIED: 0 PLC ± - 1 PLC ± - 2 PLC ± - 3 PLC ± - 4 PLC ± - ANGLES ± ± - FINISH	APPLICATION SPEC - WEIGHT -			
MATERIAL - ②		FINISH - ③		CUSTOMER DRAWING		SCALE 4:1 SHEET 1 OF 1 REV C2

单击下面可查看定价，库存，交付和生命周期等信息

[>>TE Connectivity\(泰科\)](#)