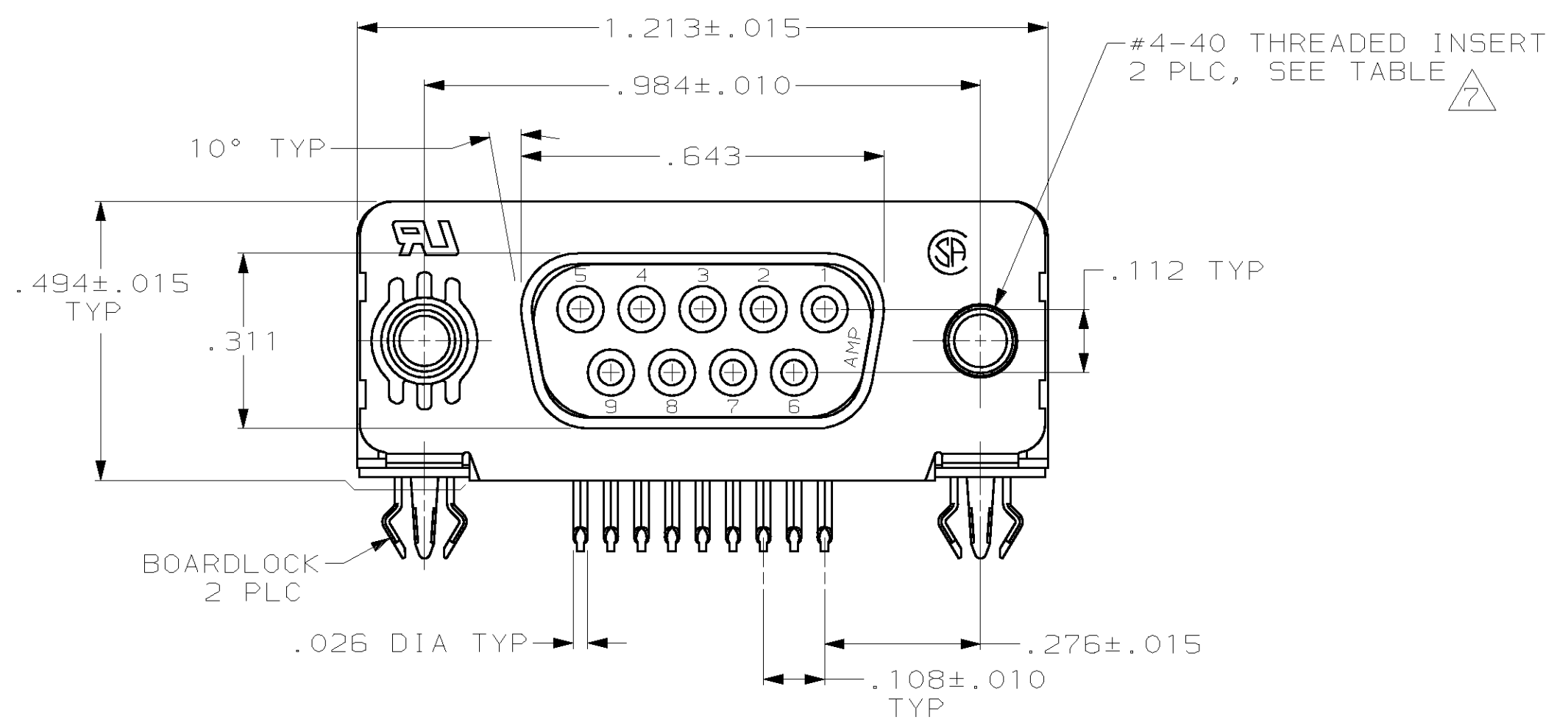
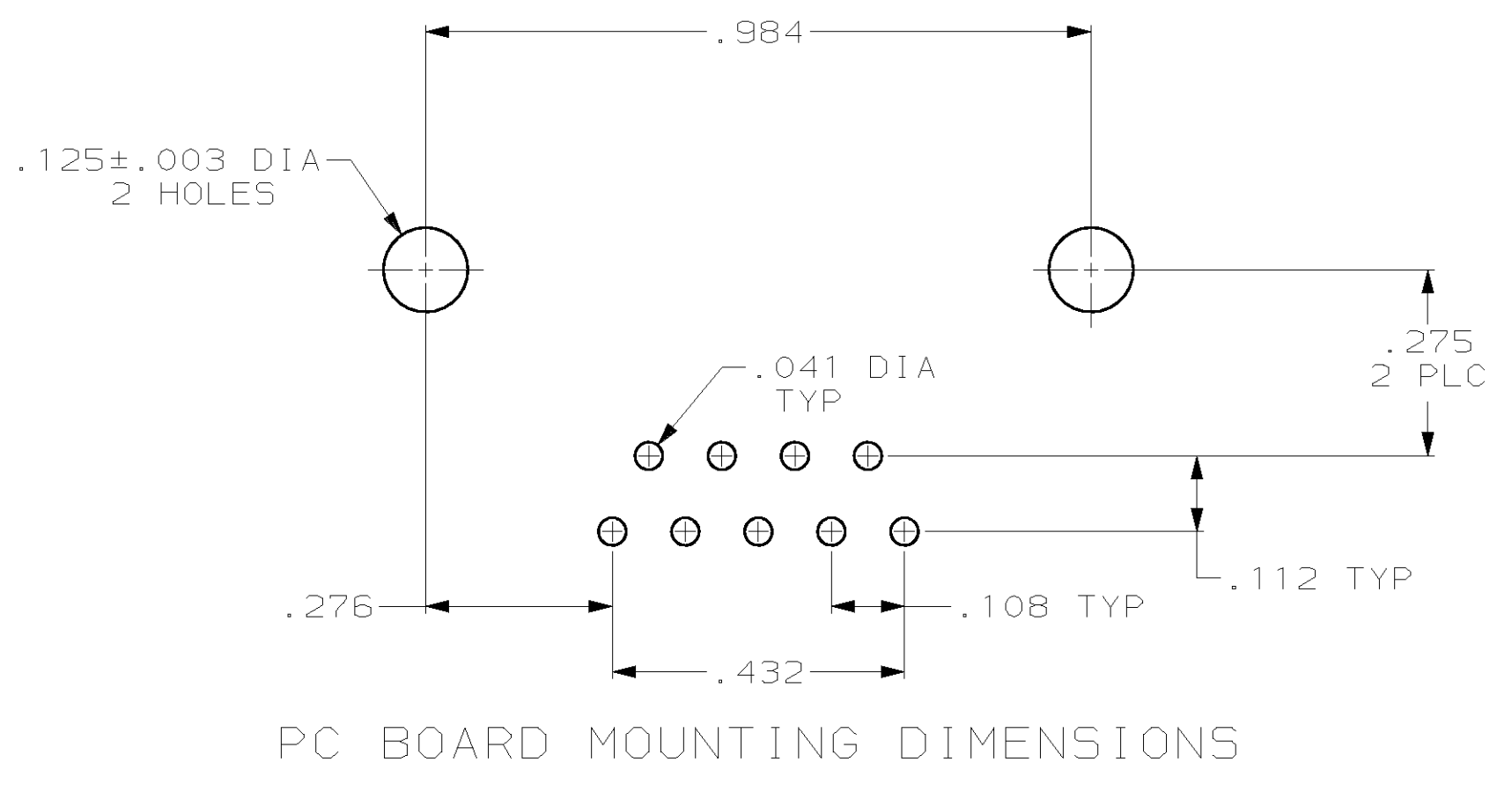
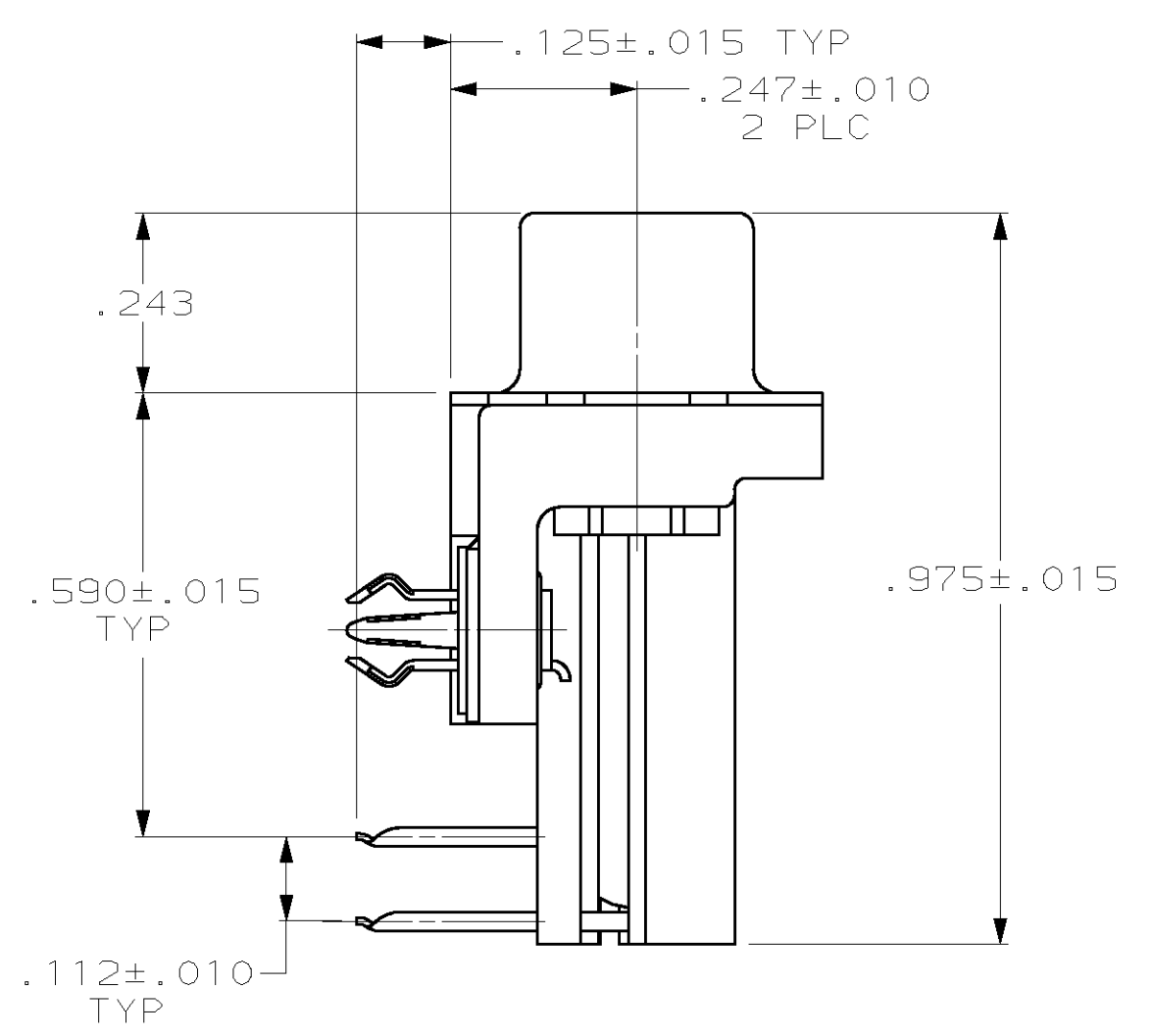
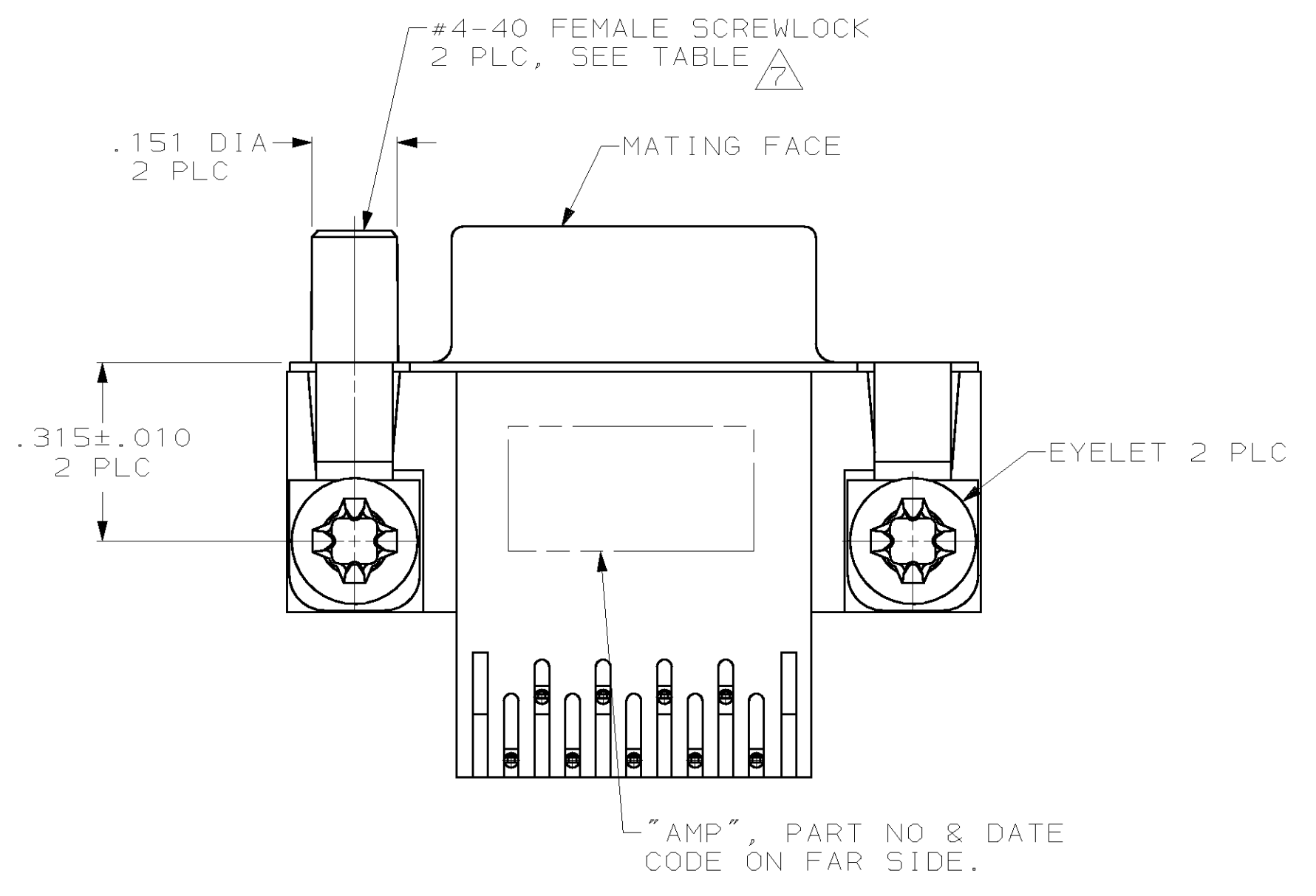


LOC		DIST		REVISIONS			
GP	00	BY	LYR	DESCRIPTION	DATE	DWN	APVD
		R		REVISED PER EC 0513-0027-03	19AUG03	JG	SB



1. CONNECTOR MATES WITH ANY 9 POSN PLUG IN AMPLIMITE™ SERIES.
2. MOLDED PARTS: FLAME RETARDANT 94V-0 RATED THERMOPLASTIC, BLACK.
SHELL: STEEL PER ASTM A109
CONTACTS: PHOSPHOR BRONZE PER QQ-B-750
EYELETS: BRASS
SCREWLOCKS: ZINC
INSERTS: ZINC
BOARDLOCKS: COPPER ALLOY
3. SHELL: .000100 MIN TIN OR TIN-LEAD
CONTACTS: SEE TABLE
EYELETS: TIN
SCREWLOCKS: CLEAR CHROMATE
BOARDLOCKS: SEE TABLE
INSERTS: CLEAR CHROMATE
4. GOLD PLATING PER MIL-G-45204, NICKEL PLATING PER QQ-N-290, TIN PLATING PER MIL-T-10727.
5. GOLD FLASH FOR A DISTANCE OF .100 MIN FROM MATING END, .000100-.000200 BRIGHT TIN OR BRIGHT TIN-LEAD ON TERMINATION END, ALL OVER .000050 NICKEL ON ENTIRE CONTACT.
6. .000030 GOLD FOR A DISTANCE OF .100 MIN FROM MATING END, .000100-.000200 BRIGHT TIN OR BRIGHT TIN-LEAD ON TERMINATION END, ALL OVER .000050 NICKEL ON ENTIRE CONTACT.
7. SCREWLOCKS & INSERTS WILL WITHSTAND 4 IN LBS TORQUE & 20 LBS PULL OUT FORCE FROM MATING FACE SIDE.



	FEMALE SCREWLOCKS	TIN	6	6-747836-8
	THREADED INSERTS	TIN	6	6-747836-7
	FEMALE SCREWLOCKS	TIN-LEAD	6	747836-6
SUPSD BY 747836-6	FEMALE SCREWLOCKS	TIN-LEAD	5	747836-5
	THREADED INSERTS	TIN-LEAD	6	747836-4
OBSOLETE	THREADED INSERTS	TIN-LEAD	5	747836-3
OBSOLETE	.125 DIA HOLES	TIN-LEAD	6	747836-2
OBSOLETE	.125 DIA HOLES	TIN-LEAD	5	747836-1
	MOUNTING HARDWARE	BOARDLOCK FINISH	CONTACT FINISH	PART NUMBER

THIS DRAWING IS A CONTROLLED DOCUMENT.

DWN	J. GALLUCCI	25 JAN 91	AMP Incorporated Harrisburg, PA 17105-3608
CHK	H.G. LENKER	15 APR 91	
APVD	J. YOUNG	15 APR 91	NAME RECEPTACLE ASSEMBLY, SIZE 1, RIGHT ANGLE, .590 SERIES, FRONT METAL SHELL, .026 DIA POSTS, BOARDLOCKS, AMPLIMITE™ HD-20
DIMENSIONS:	TOLERANCES UNLESS OTHERWISE SPECIFIED:	PRODUCT SPEC	SIZE
INCHES	0 PLC ±.005 1 PLC ±. 2 PLC ±. 3 PLC ±.005 4 PLC ±. ANGLES ±°	108-40025	CAGE CODE DRAWING NO
		APPLICATION SPEC	RESTRICTED TO
		114-40010	A1 00779
MATERIAL	FINISH	WEIGHT	SCALE
			4:1
		CUSTOMER DRAWING	SHEET 1 OF 1

单击下面可查看定价，库存，交付和生命周期等信息

[>>TE Connectivity\(泰科\)](#)