

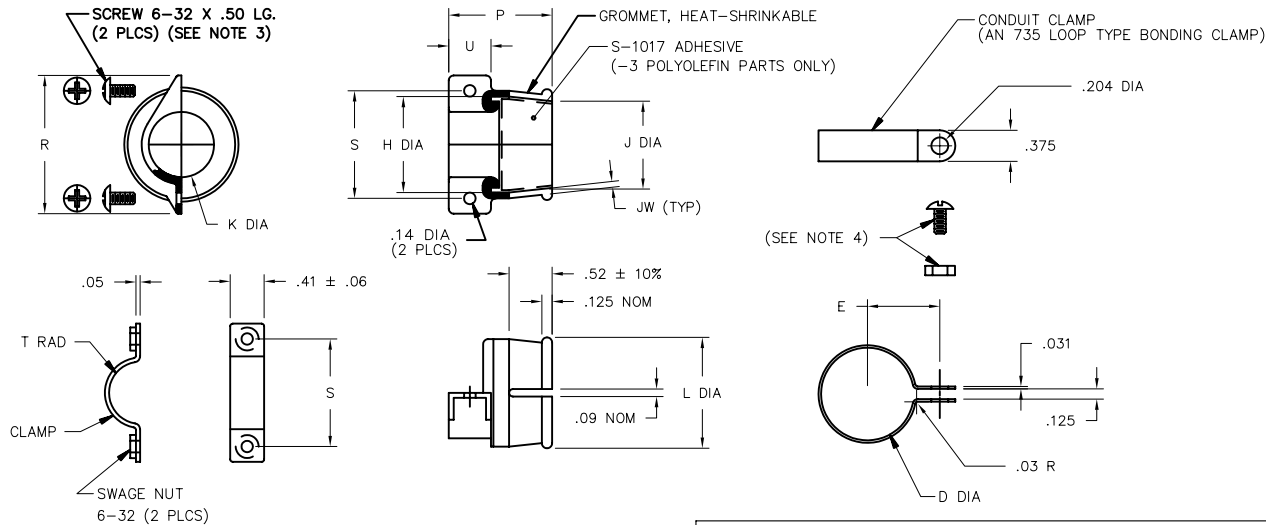
4

3

2

1

REVISIONS		
LTR	DESCRIPTION	DATE
A	ECO-08-007623	03/26/2008



## NOTES

- ALL DIMENSIONS ARE IN INCHES.
- DIMENSIONS APPEARING IN TABLE ARE AS FOLLOWS:  
a - AS SUPPLIED  
b - AFTER UNRESTRICTED RECOVERY
- MATERIAL:  
GROMMET: SEE ORDERING INFORMATION.  
CLAMP: ALUMINUM ALLOY 6061-T4  
SCREW: 6-32 X .50, ROUND HEAD, PHILLIPS, STD. STEEL PER NAS 601-8P, CADMIUM PLATE
- CONDUIT CLAMP:  
LOCKNUT, MS21042-03 AND SCREW (10-32 X .50 LG) PER NAS 603 WILL BE SUPPLIED WITH CLAMP.
- FOR SHORTER LENGTH SCREW (10-32 X .25 LG) SEE CUSTOMER DRAWING 203A4XX-X-02.

TABLE OF DIMENSIONS

PART NUMBER	FITS CONDUIT SIZE	H		J		K ±12% a & b	L ±10% b	P ±10% b	R ±10% b	S ±10% b	T ±5% b	JW ±20% b	U ±10% b	D REF b	E REF b	AN735 DASH NO.
		+5% -0% a	±5% b	MIN a	MAX b											
203A411	1/2	.51	.51	.53	.47	.33	.86	1.25	1.17	.80	.15	.07	.51	.62	19/32	-10
203A421	5/8	.64	.64	.65	.59	.45	.98	1.25	1.30	.93	.22	.07	.51	.75	21/32	-12
203A431	3/4	.76	.76	.78	.72	.58	1.09	1.25	1.42	1.05	.28	.07	.51	.88	23/32	-14
203A436	7/8	.89	.89	.90	.84	.70	1.23	1.25	1.54	1.17	.34	.07	.51	1.00	13/16	-16
203A442	1	1.01	1.01	1.02	.95	.79	1.34	1.25	1.67	1.30	.38	.07	.51	1.12	7/8	-18
203A452	1 1/4	1.30	1.26	1.30	1.20	1.02	1.59	1.25	1.97	1.60	.51	.07	.51	1.38	1	-22
203A462	1 1/2	1.51	1.51	1.55	1.48	1.29	1.87	1.25	2.17	1.80	.63	.07	.51	1.62	1 1/8	-26

If this document is printed it becomes uncontrolled. Check for the latest revision

CUSTOMER DRAWING

UNLESS OTHERWISE SPECIFIED DIMENSIONS ARE INCHES. METRIC DIMENSIONS ARE IN BRACKETS.	DRAWN	DATE	 Tyco Electronics Raychem Molded Parts 305 Constitution Dr Menlo Park, CA 94025
	UNGUYEN	03/26/2008	
DECIMAL TOLERANCES	RPN	TITLE	
.XXX ± 0.005 [0.13 mm]	 THIRD ANGLE PROJECTION	END GROMMET, CONDUIT	
.XX ± 0.01 [0.25 mm]		SIZE	CODE IDENT. NO.
.X ± 0.1 [0.50 mm]		B	06090
ANGLE TOLERANCE	DVG. NO.		203A4XX-X-03
.X ± 1 DEG.	DO NOT SCALE THIS DRAWING		
© 2008 Tyco Electronics Corporation. All rights reserved.			SHEET 1 OF 2

4

3

2

1

D

D

COMPATIBILITY CHART					
MATERIAL DASH NO.	MATERIAL DESCRIPTION	RT SPEC	COATING SLASH NO.	COATING S NO.	COATING DESCRIPTION
-3	SEMI-RIGID POLYOLEFIN	RT-301	/42	S-1017	ADHESIVE
-12	*VITON, FLEXIBLE	RT-1312	N/A		

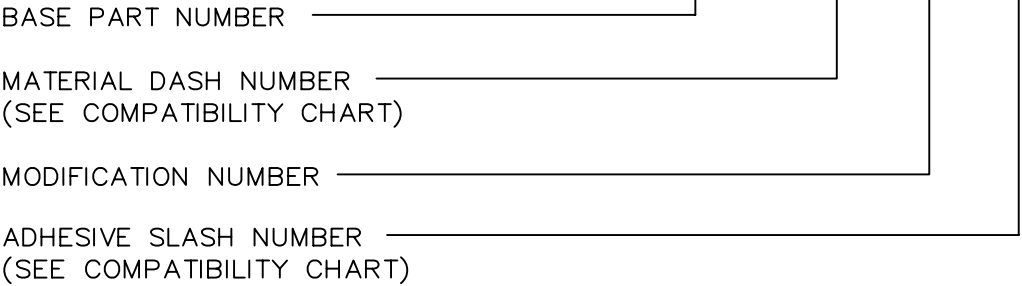
\*VITON IS A REGISTERED TRADE MARK OF DUPONT

C

C

ORDERING INFORMATION

203A4XX -XX -03 /XX



B

B

A

A

If this document is printed it becomes uncontrolled. Check for the latest revision

CUSTOMER DRAWING

SIZE	DWG. NO.	REV	DWG. NO.	203A4XX-X-03
B	06090	A		
DO NOT SCALE THIS DRAWING				SHEET 2 OF 2

4

3

2

1

单击下面可查看定价，库存，交付和生命周期等信息

[>>TE Connectivity\(泰科\)](#)