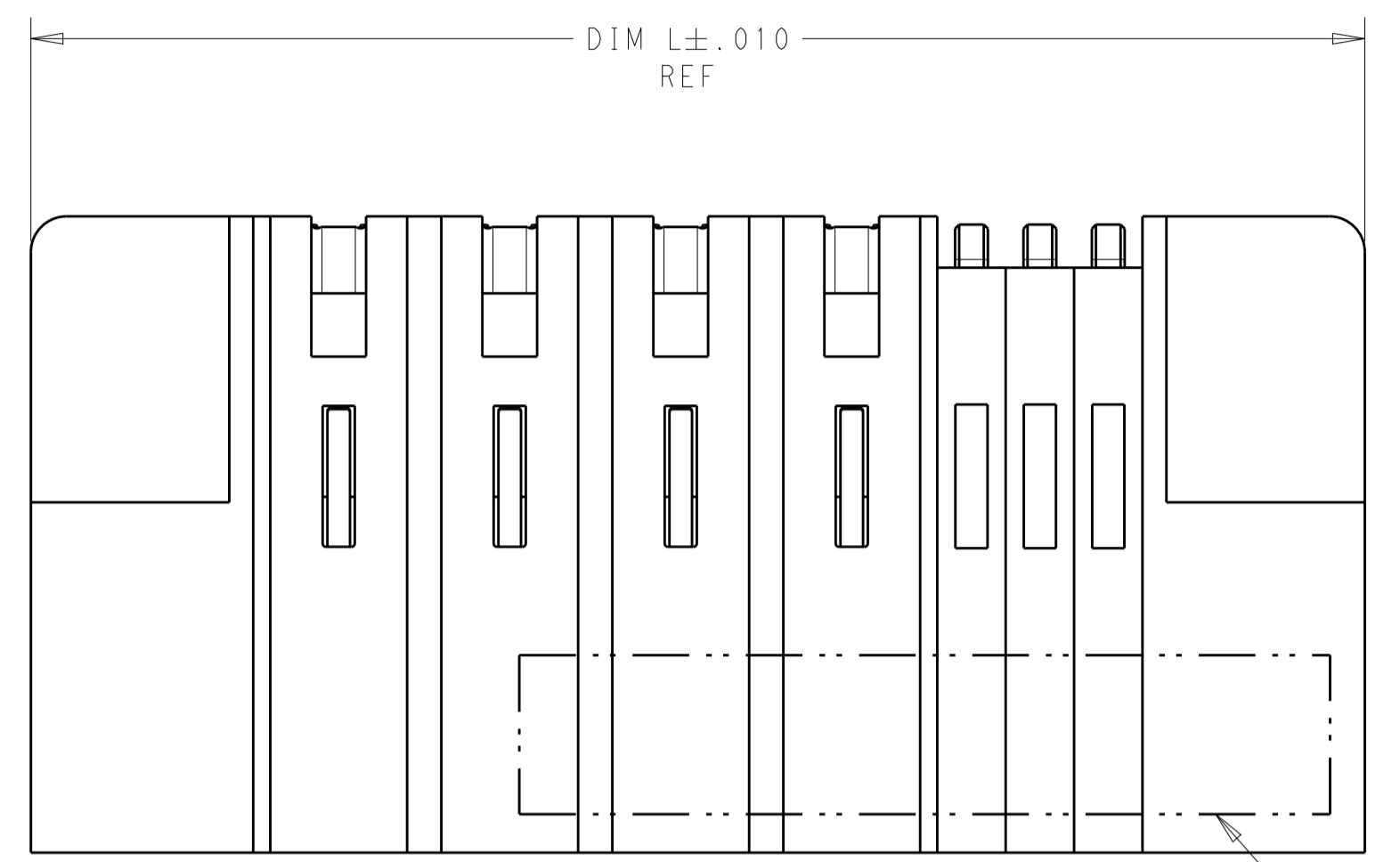
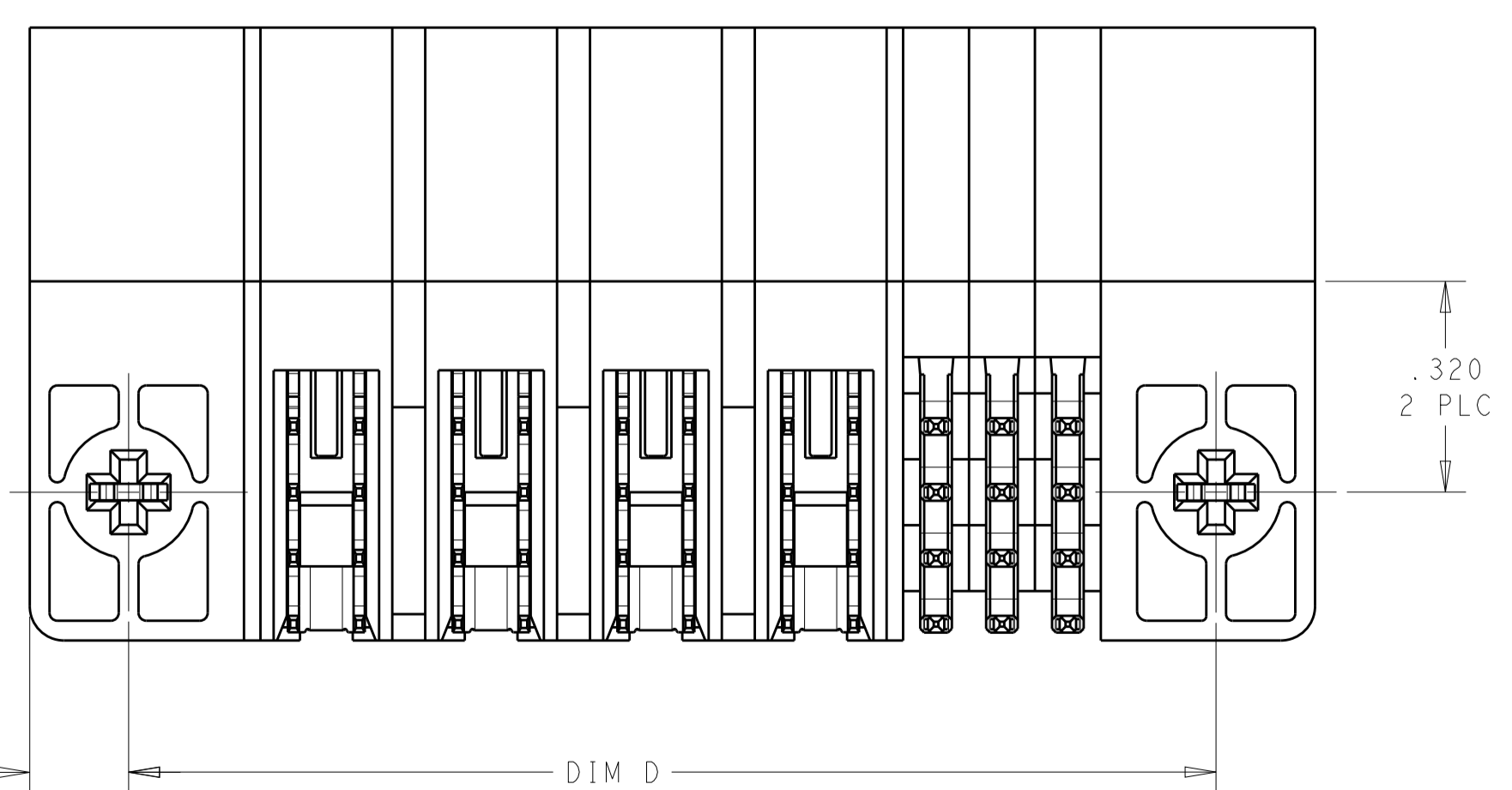
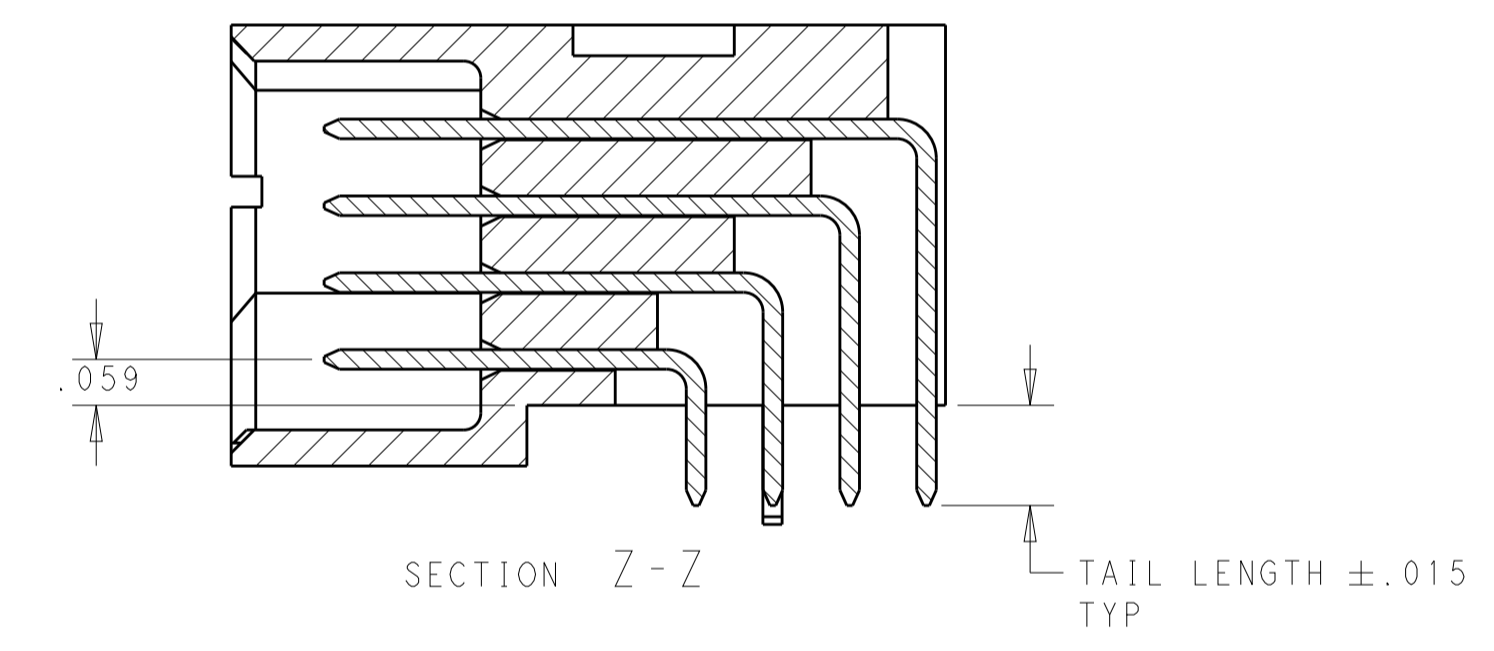
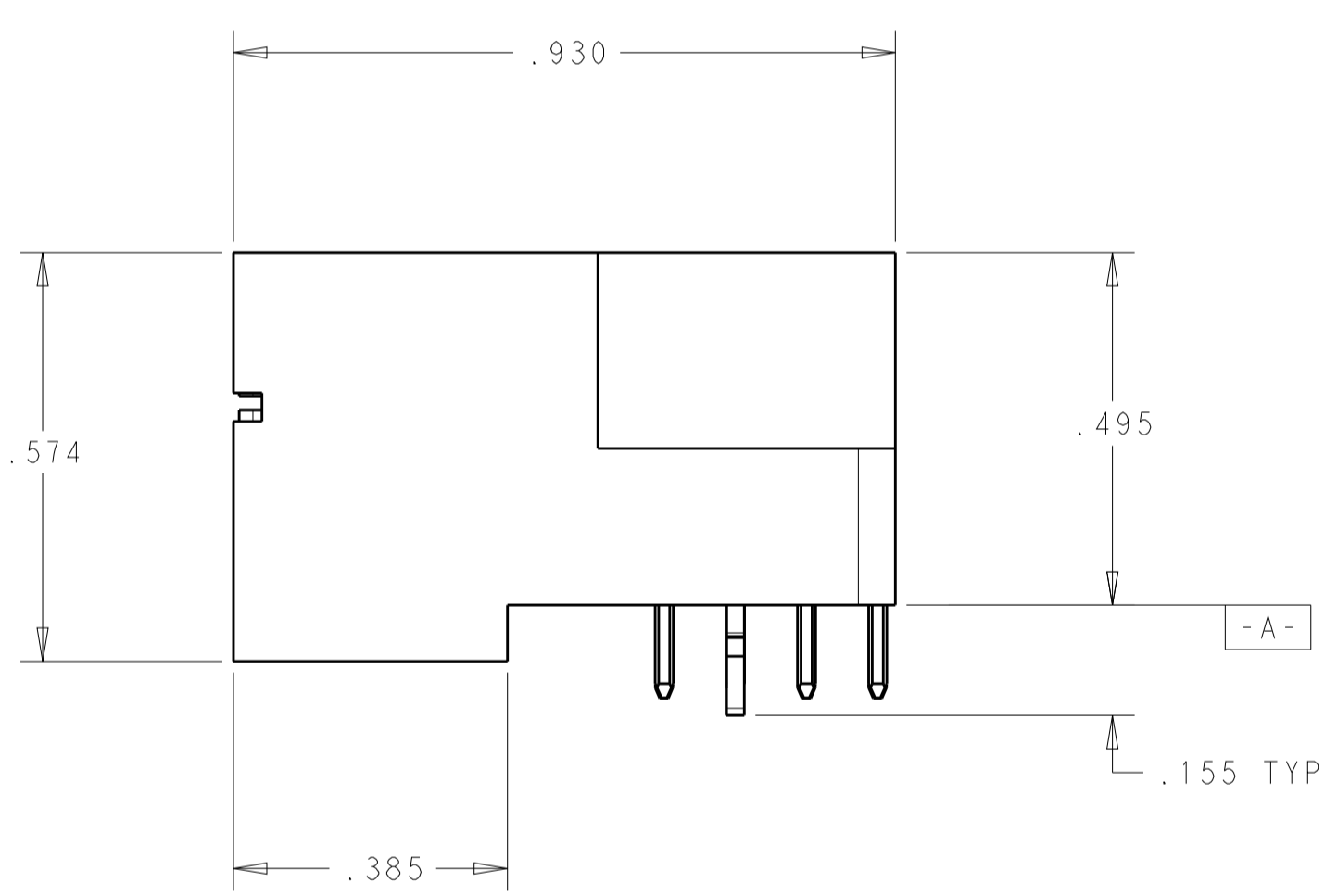
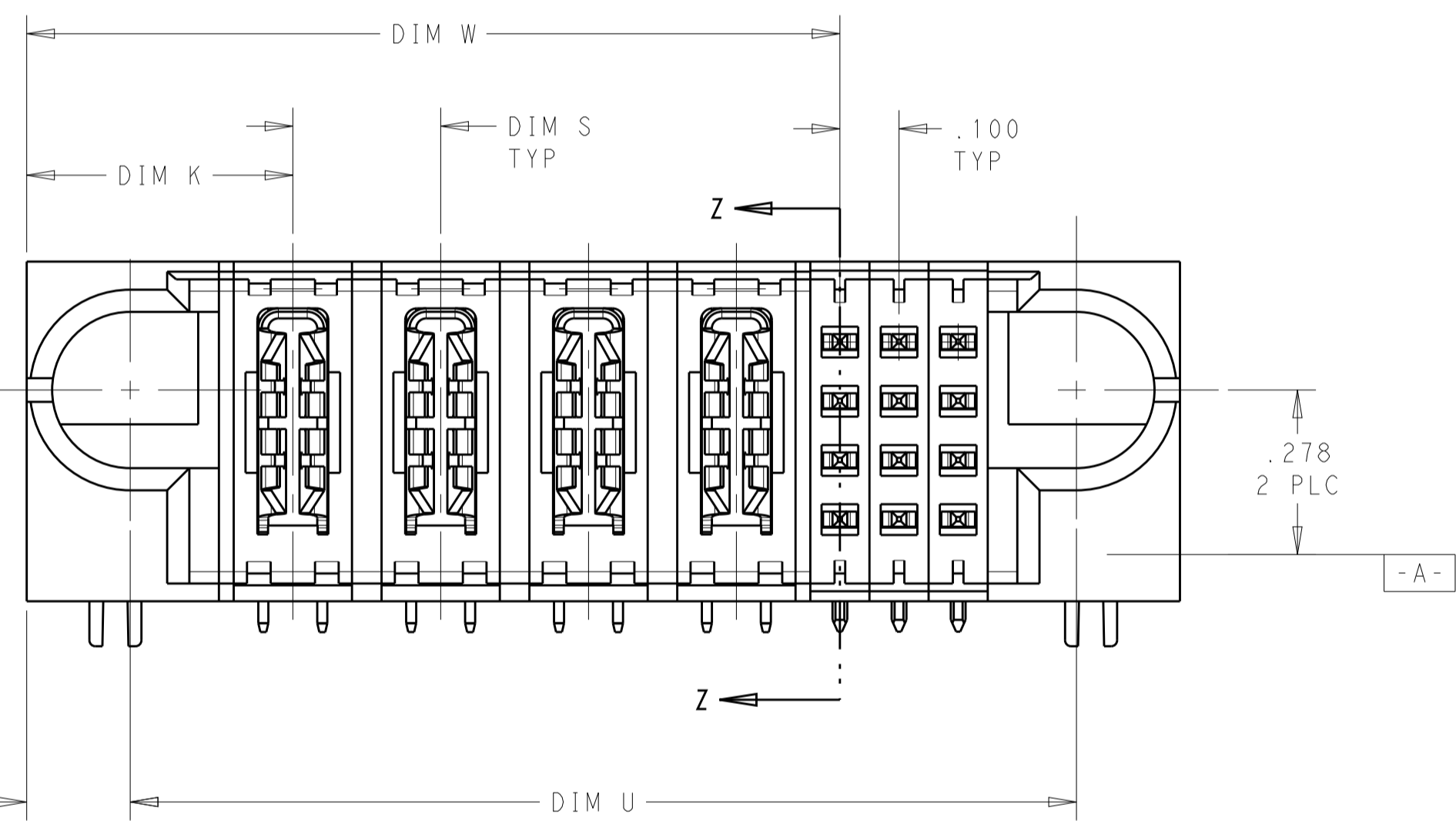


LOC	DIST	REVISIONS					
		P	LTN	DESCRIPTION	DATE	DWN	APVD
GP	00	E3		ADD NEW DASH NUMBER	27DEC2013	AL	SZ



- 1 "AMP" TRADEMARK, PART NUMBER, AND DATE CODE TO BE MARKED IN AREA SHOWN.
- 2 MATERIAL:
HOUSING - GLASS FILLED HIGH TEMP THERMO PLASTIC, BLACK, UL94 V-0
SIGNAL CONTACT - COPPER ALLOY
POWER CONTACT - HIGH CONDUCTIVITY COPPER ALLOY
- 3 CONTACT PLATING: NOBLE METAL PLATING ON CONTACT FUNCTIONAL AREA OF POWER AND SIGNAL CONTACTS
- 4 MECHANICAL CONNECTOR KEEP OUT ZONE
- 5 DATUM AND BASIC DIMENSIONS ESTABLISHED BY CUSTOMER
- 6 PCB - ALL HOLE DIAMETERS ARE FINISHED HOLE SIZES
- 7 PCB - .0453+/- .0010 DRILLED HOLES PLATED WITH .0003 MIN Sn OVER .001 TO .003 PLATING TO ACHIEVE A .040 DIA HOLE
- 8 VARIABLE DIMENSION SHOWN ON TABLE.
- 9 NOT RELEASED FOR PRODUCTION.



THIS DRAWING IS A CONTROLLED DOCUMENT.		DWN R. GRZYBOWSKI	10FEB05		TE Connectivity	
DIMENSIONS: INCHES		CHK M. PERCHERKE	10FEB05		NAME RIGHT ANGLE HEADER ASSEMBLY W/GUIDES MULTI-BEAM XL	
TOLERANCES UNLESS OTHERWISE SPECIFIED:		APVD M. PERCHERKE		PRODUCT SPEC		
0 PLC ±		108-1973		APPLICATION SPEC		
1 PLC ±.01		114-13038		SIZE CAGE CODE DRAWING NO		
2 PLC ±.005		A100779		C=6450132		
3 PLC ±.0020		CUSTOMER DRAWING		RESTRICTED TO		
ANGLES ±.2°		SCALE 1:1		SHEET 1 OF 11		
FINISH		REV E3				

THIS DRAWING IS UNPUBLISHED. RELEASED FOR PUBLICATION 20
 © COPYRIGHT 20 TE CONNECTIVITY ALL RIGHTS RESERVED.

LOC	DIST	REVISIONS					
		P	LTN	DESCRIPTION	DATE	OWN	APVD
GP	00	-		SEE SHEET 1			

E3

4.050	△8	3.325	4.100	.450	4.400	4ACP + 9P + 32S	2-6450132-7
4.000	-	.375	4.050	-	4.350	148S	2-6450132-6
3.575	△8	3.125	3.625	.450	3.925	5ACP+6HDP + 20S	2-6450132-5
2.950	.200	2.425	3.000	.450	3.300	10P + 24S	2-6450132-4
2.950	.200	2.425	3.000	.450	3.300	10P + 24S	2-6450132-3
3.350	.200	2.825	3.400	.450	3.700	12HDP + 24S	2-6450132-2
2.950	.200	2.425	3.000	.450	3.300	10P + 24S	2-6450132-1
2.150	.200	1.625	2.200	.450	2.500	6P + 24S	2-6450132-0
3.325	△8	2.800	3.375	.425	3.675	3ACP + 6P + 24S	1-6450132-9
2.075	.300	1.550	2.125	.475	2.425	4ACP + 24S	1-6450132-8
4.000	-	.375	4.050	-	4.350	148S	1-6450132-7
2.300	.250	1.875	2.350	.450	2.650	6P + 20S	1-6450132-6
4.700	.250	3.925	4.750	.450	5.050	14P + 32S	1-6450132-5
2.825	△8	2.300	2.875	.475	3.175	3ACP + 4P + 24S	1-6450132-3
2.900	.250	2.375	2.950	.450	3.250	8P + 24S	1-6450132-2
2.250	.250	1.975	2.300	.475	2.600	6P + 12S	6450132-8
2.675	.250	2.125	2.725	.450	3.025	7P + 24S	6450132-7
1.100	-	.575	1.150	.425	1.450	1P + 24S	6450132-6
2.925	.250	2.375	2.975	.450	3.275	8P + 24S	6450132-5
4.600	.250	3.875	4.650	.450	4.950	14P + 32S	6450132-4
3.000	.250	2.375	3.050	.450	3.350	8P + 28S	6450132-3
1.600	.250	1.375	1.650	.450	1.950	4P + 12S	6450132-2
1.600	.250	1.375	1.650	.450	1.950	4P + 12S	6450132-1
DIM U	DIM S	DIM W	DIM D	DIM K	DIM L	DESCRIPTION	PART NUMBER

△9

△9

△9

THIS DRAWING IS A CONTROLLED DOCUMENT. **OWN** R. GRZYBOWSKI TOFEB05
CHK M. PERCHERKE TOFEB05
APVD M. PERCHERKE

TE TE Connectivity

NAME RIGHT ANGLE HEADER ASSEMBLY W/GUIDES MULTI-BEAM XL

PRODUCT SPEC 108-1973
APPLICATION SPEC 114-13038

SIZE A100779 **CAGE CODE** 6450132 **DRAWING NO** 6450132-2 **RESTRICTED TO**

MATERIAL - **FINISH** - **WEIGHT** - **CUSTOMER DRAWING** **SCALE** 1:1 **SHEET** 2 **OF** 11 **REV** E3

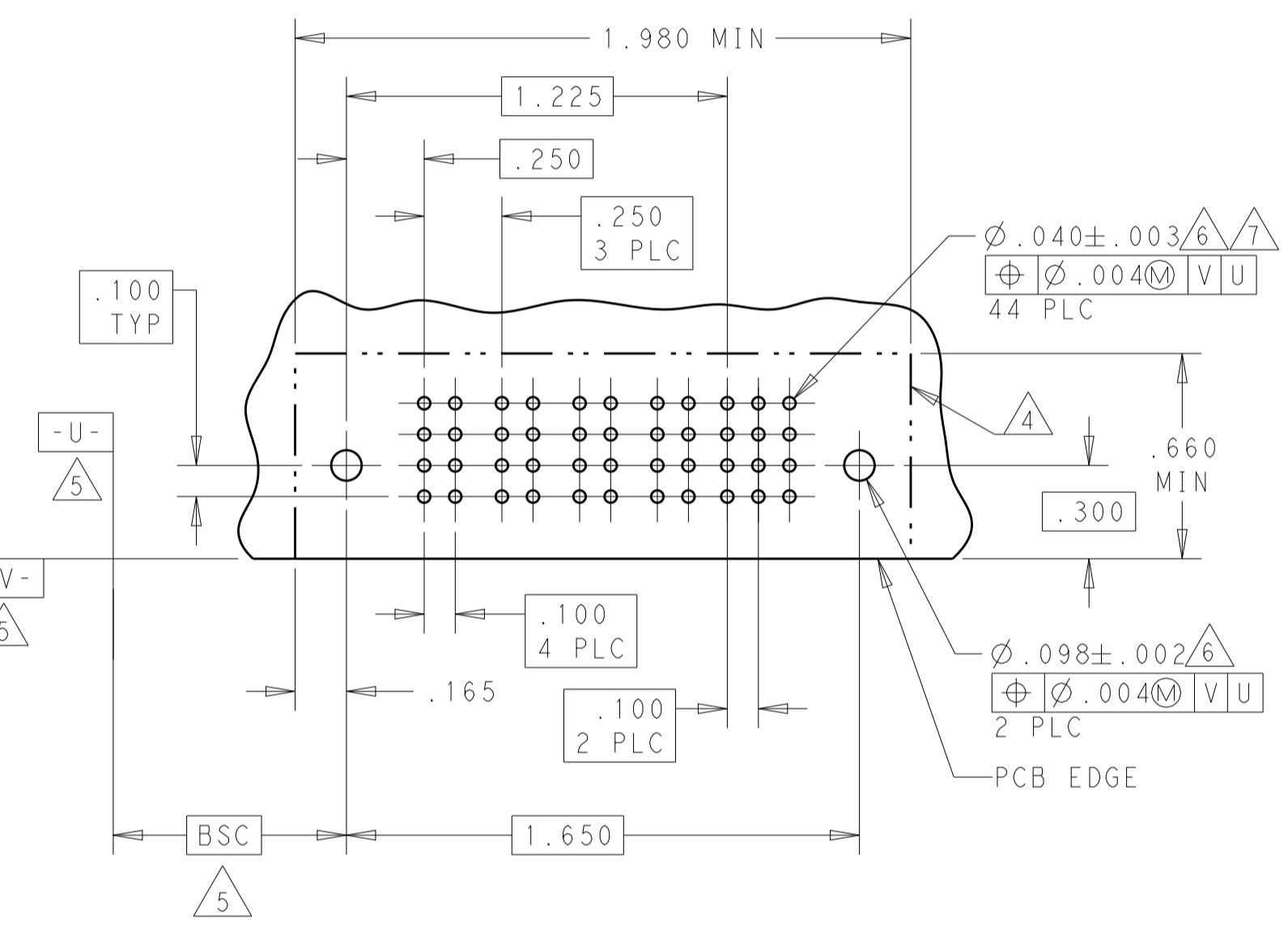
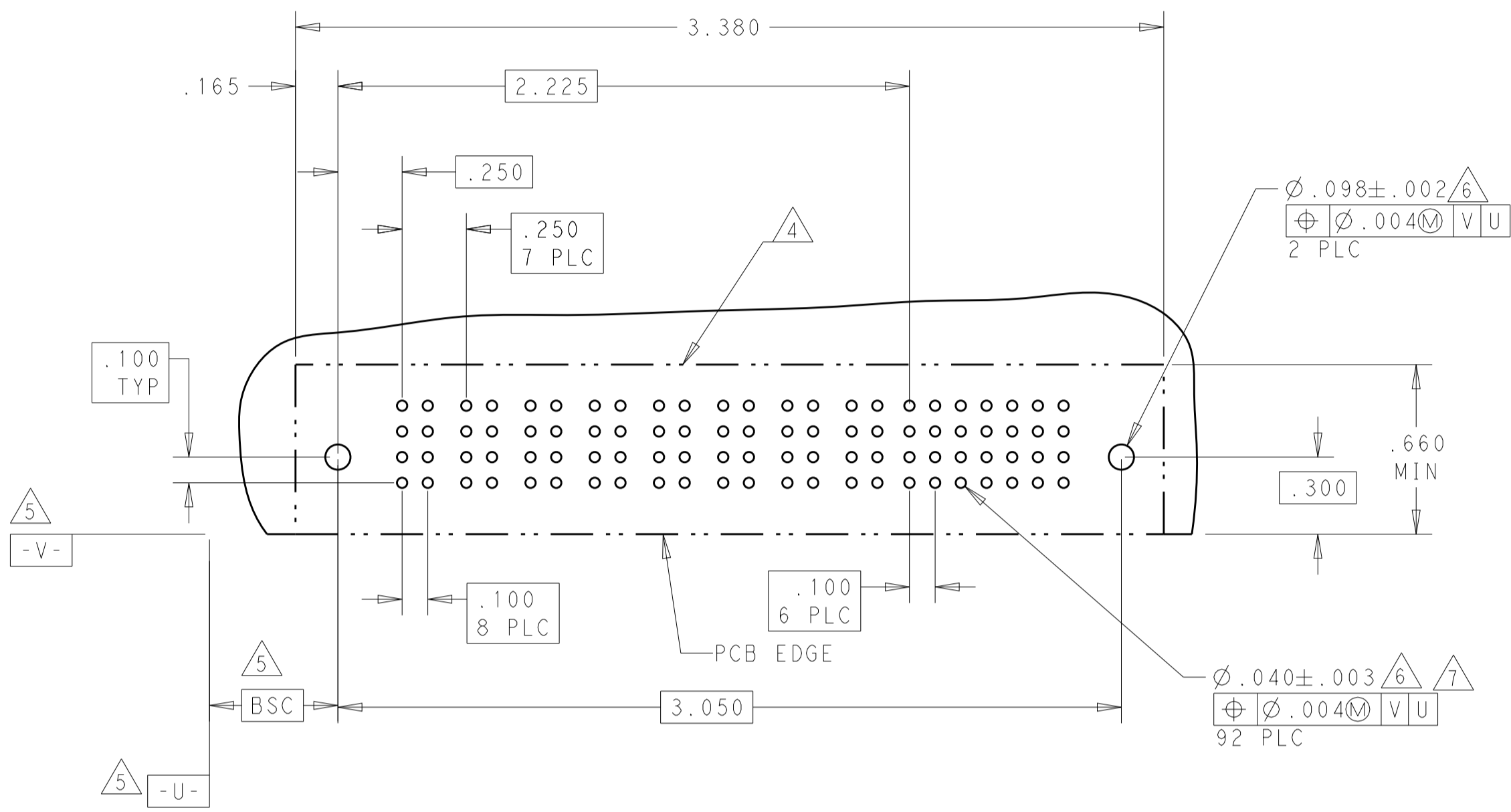
TOLERANCES UNLESS OTHERWISE SPECIFIED:
 0 PLC ±.
 1 PLC ±.01
 2 PLC ±.01
 3 PLC ±.005
 4 PLC ±.0020
 ANGLES ±.020

LOC	DIST	REVISIONS			
GP	00	REV	DATE	BY	APPV
		1			
		2			
		3			
		4			
		5			
		6			
		7			
		8			
		9			
		10			

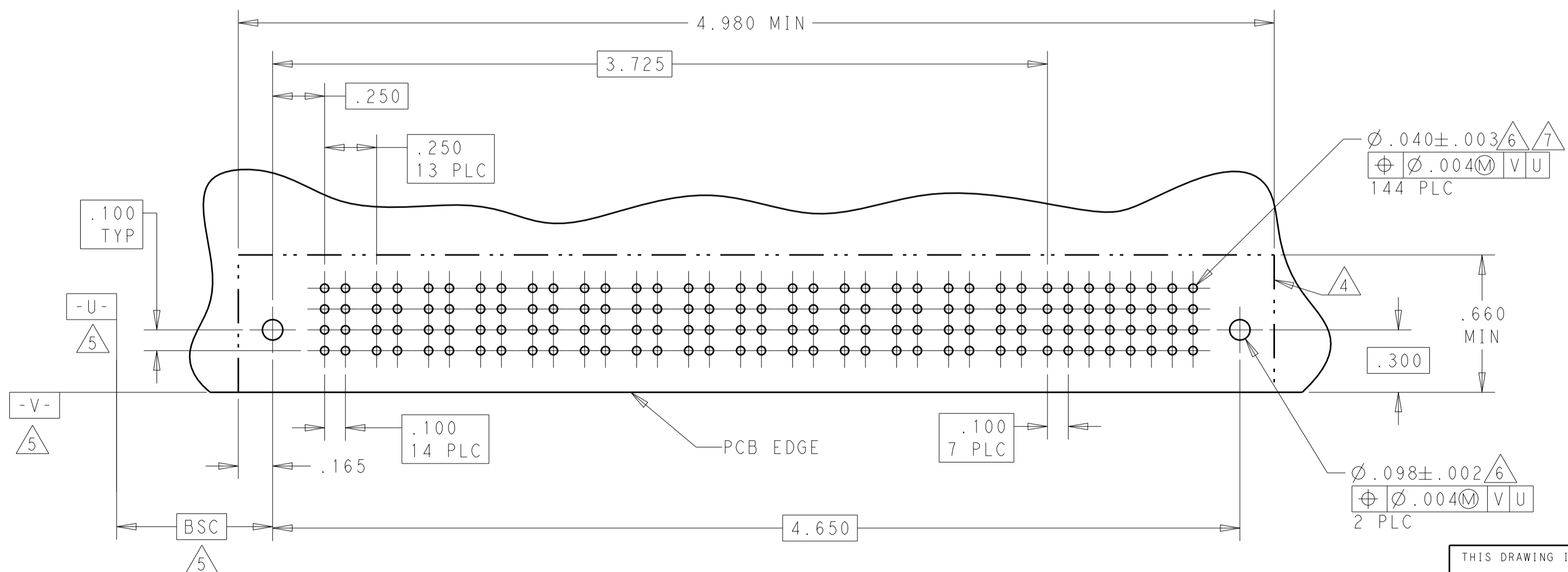
PART NUMBER	ROWS	POWER				SIGNAL		
		P1	P2	P3	P4	1	2	3
6450132-1	D C B A	PM	PM	PM	J	E	J	
					K	F	F	
					N	N	N	
					S	S	S	
4P + 12S								

PART NUMBER	ROWS	POWER				SIGNAL		
		P1	P2	P3	P4	1	2	3
6450132-2	D C B A	PM	PM	PM	J	E	J	
					K	F	F	
					N	N	N	
					S	S	S	
4P + 12S								

PART NUMBER	ROWS	POWER								SIGNAL						
		P1	P2	P3	P4	P5	P6	P7	P8	1	2	3	4	5	6	7
6450132-3	D C B A	PM	PM	PM	PM	PM	PM	PM	PM	E	E	E	E	E	E	E
										F	F	F	F	F	F	F
										G	G	G	G	G	G	G
										S	S	S	S	H	H	H
8P + 28S																



PART NUMBER	ROWS	POWER														SIGNAL							
		P1	P2	P3	P4	P5	P6	P7	P8	P9	P10	P11	P12	P13	P14	1	2	3	4	5	6	7	8
6450132-4	D C B A	PM	PM	PM	PM	PM	PM	PM	PM	PM	PM	PM	PM	PM	J	J	J	E	J	J	J	J	
															K	K	K	F	K	K	K	K	
															N	N	N	N	N	N	N	N	
															S	S	S	S	S	S	S	S	
14P + 32S																							



CODE	MATING SEQUENCE	TAIL LENGTH	ROW
Z	STD	.090	D
Y	STD	.090	C
R	STD	.090	B
O	STD	.090	A
A4	MLBF	.090	D
A3	MLBF	.090	C
A2	MLBF	.090	B
A1	MLBF	.090	A
E	MLBF	.135	D
F	MLBF	.135	C
G	MLBF	.135	B
H	MLBF	.135	A
J	STD	.135	D
K	STD	.135	C
N	STD	.135	B
S	STD	.135	A

PA	.090
PM	.135
CODE	TAIL LENGTH
POWER CONTACT	

THIS DRAWING IS A CONTROLLED DOCUMENT.

OWN: R. GRZYBOWSKI, 10FEB05
CHK: M. PERCHERKE, 10FEB05
APVD: M. PERCHERKE

DIMENSIONS: INCHES
TOLERANCES UNLESS OTHERWISE SPECIFIED:
0 PLC ±.01
1 PLC ±.01
2 PLC ±.01
3 PLC ±.005
4 PLC ±.002
ANGLES ±.020

MATERIAL: -
FINISH: -

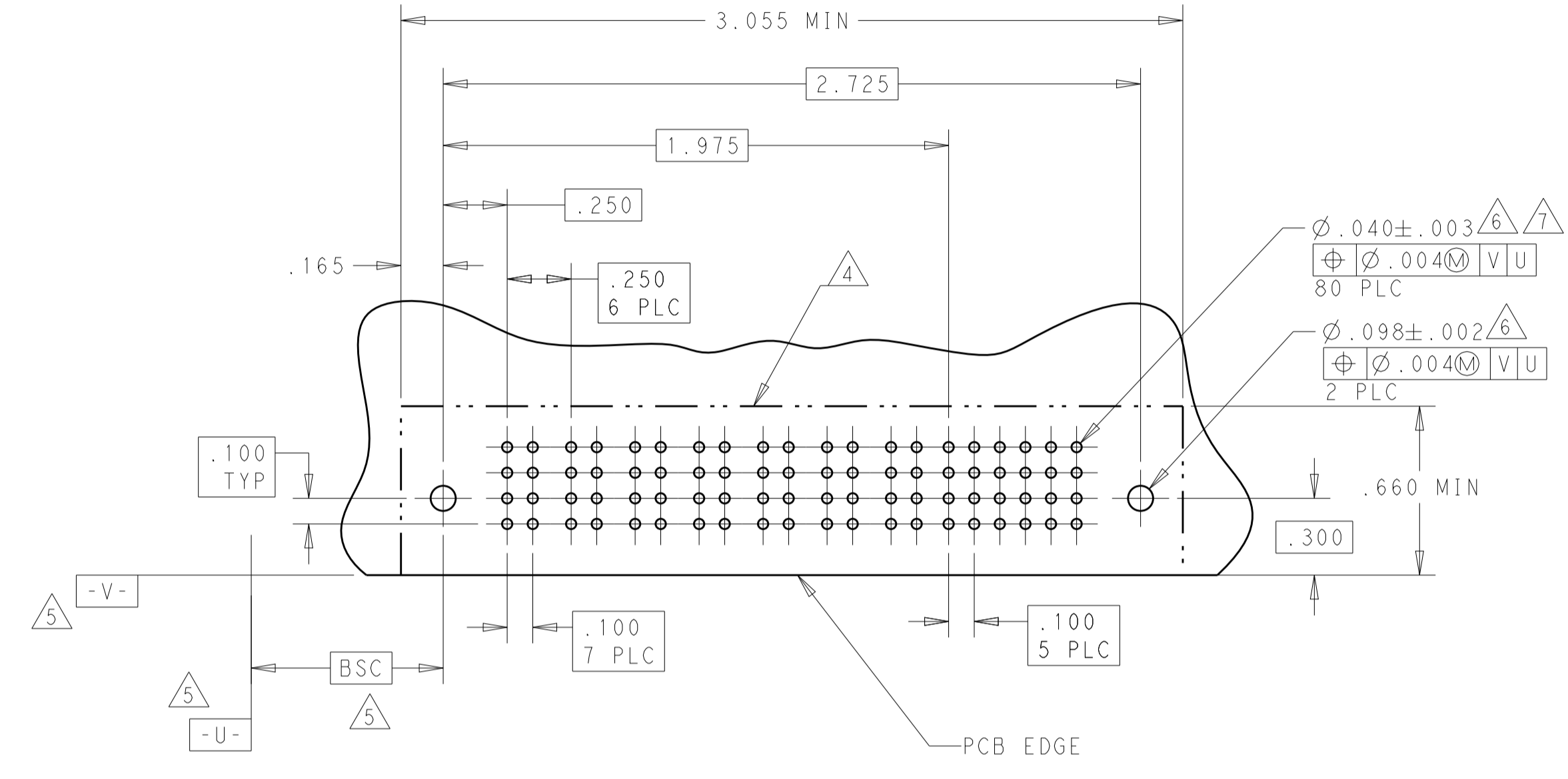
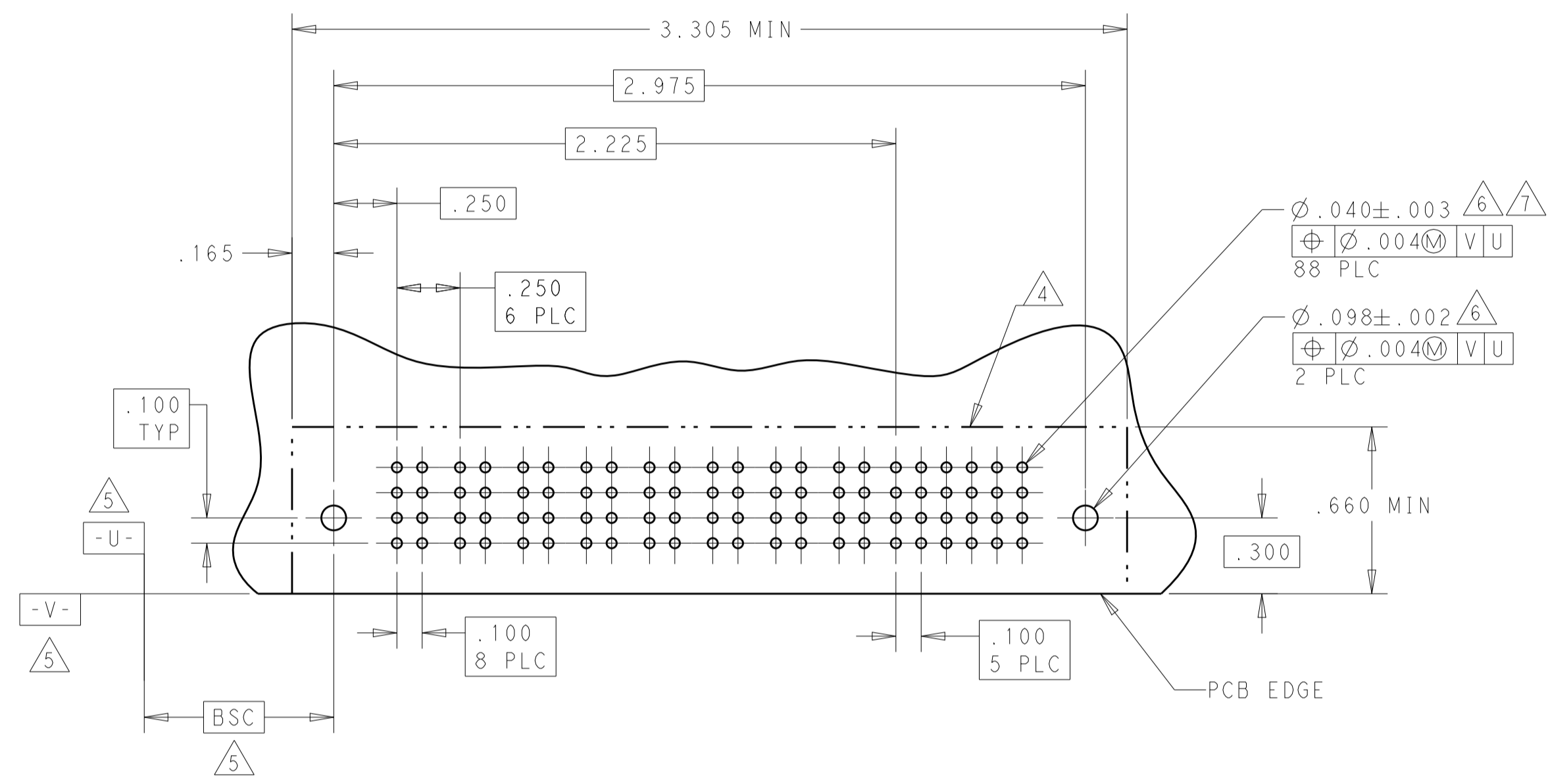
NAME: RIGHT ANGLE HEADER ASSEMBLY W/GUIDES MULTI-BEAM XL
PRODUCT SPEC: 108-1973
APPLICATION SPEC: 114-13038
WEIGHT: -
CUSTOMER DRAWING: -

SIZE: A1
CAGE CODE: 6450132
DRAWING NO: 100779
SCALE: 1:1
SHEET: 3 OF 11
REV: E3

LOC	DIST	REV	DATE	BY	APPV
GP	00				
P LTH		DESCRIPTION		DATE	OWN
		SEE SHEET 1			

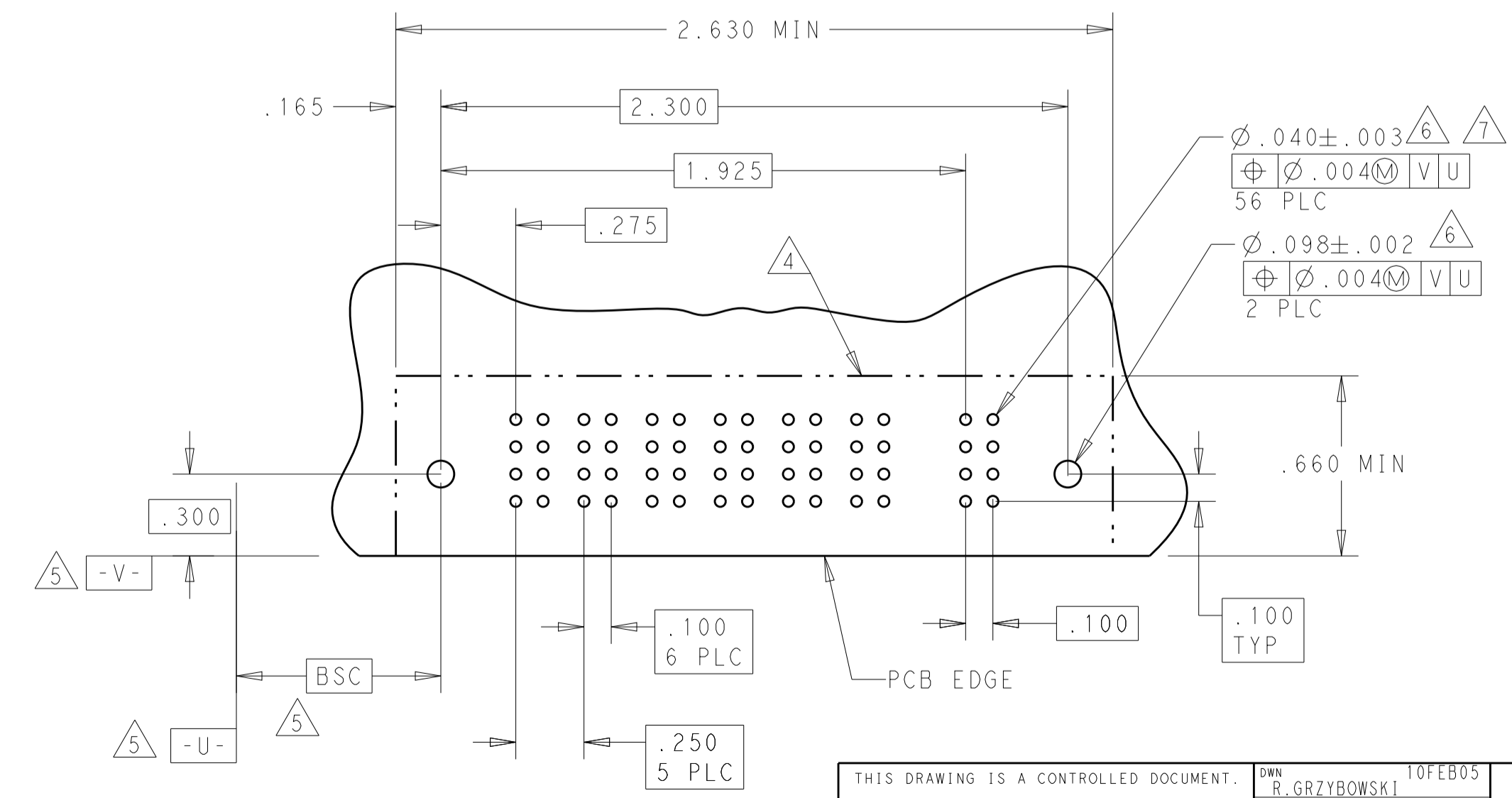
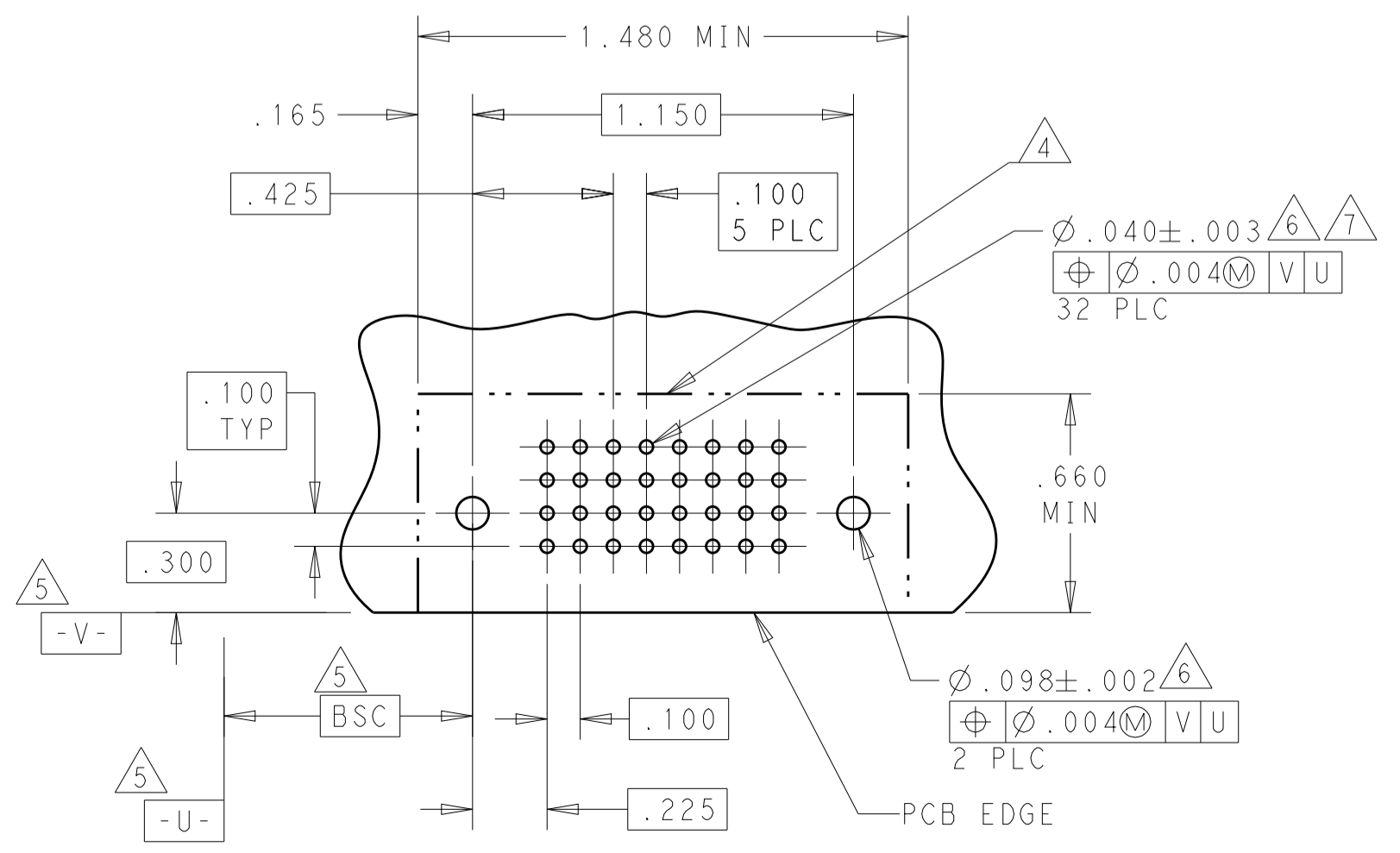
PART NUMBER	ROWS	POWER								SIGNAL					
		P1	P2	P3	P4	P5	P6	P7	P8	1	2	3	4	5	6
6450132-5	D C B A	PM	PM	PM	PM	PM	PM	PM	PM	J	J	J	J	E	E
										K	K	K	K	F	F
										N	N	N	N	G	G
										S	S	S	S	H	H
8P + 24S															

PART NUMBER	ROWS	POWER							SIGNAL						
		P1	P2	P3	P4	P5	P6	P7	1	2	3	4	5	6	
6450132-7	D C B A	PM	PM	PM	PM	PM	PM	PM	J	J	E	J	J	J	
									K	K	K	K	K	K	
									N	N	N	N	N	N	
									S	S	S	S	S	S	
7P + 24S															



PART NUMBER	ROWS	POWER						SIGNAL					
		P1	1	2	3	4	5	6	1	2	3	4	5
6450132-6	D C B A	PM	E	E	E	E	J	E	E				
			F	F	F	F	F	F	F				
			G	G	G	G	G	G	G				
			H	H	H	H	H	H	H				
1P + 24S													

PART NUMBER	ROWS	POWER						SIGNAL			
		P1	P2	P3	P4	P5	P6	1	2	3	
6450132-8	D C B A	PM	PM	PM	PM	PM	PM	E	E		
								F	F		
								G	G		
								H	H		
6P + 12S											



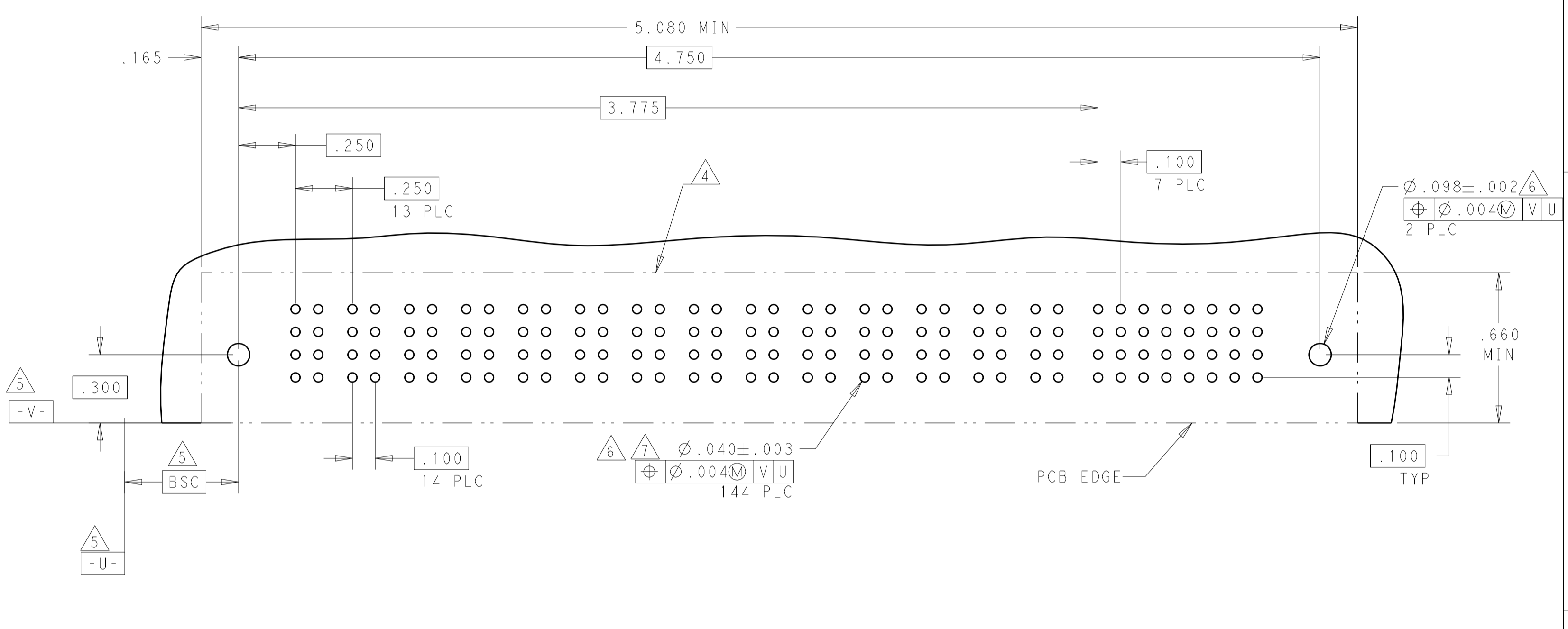
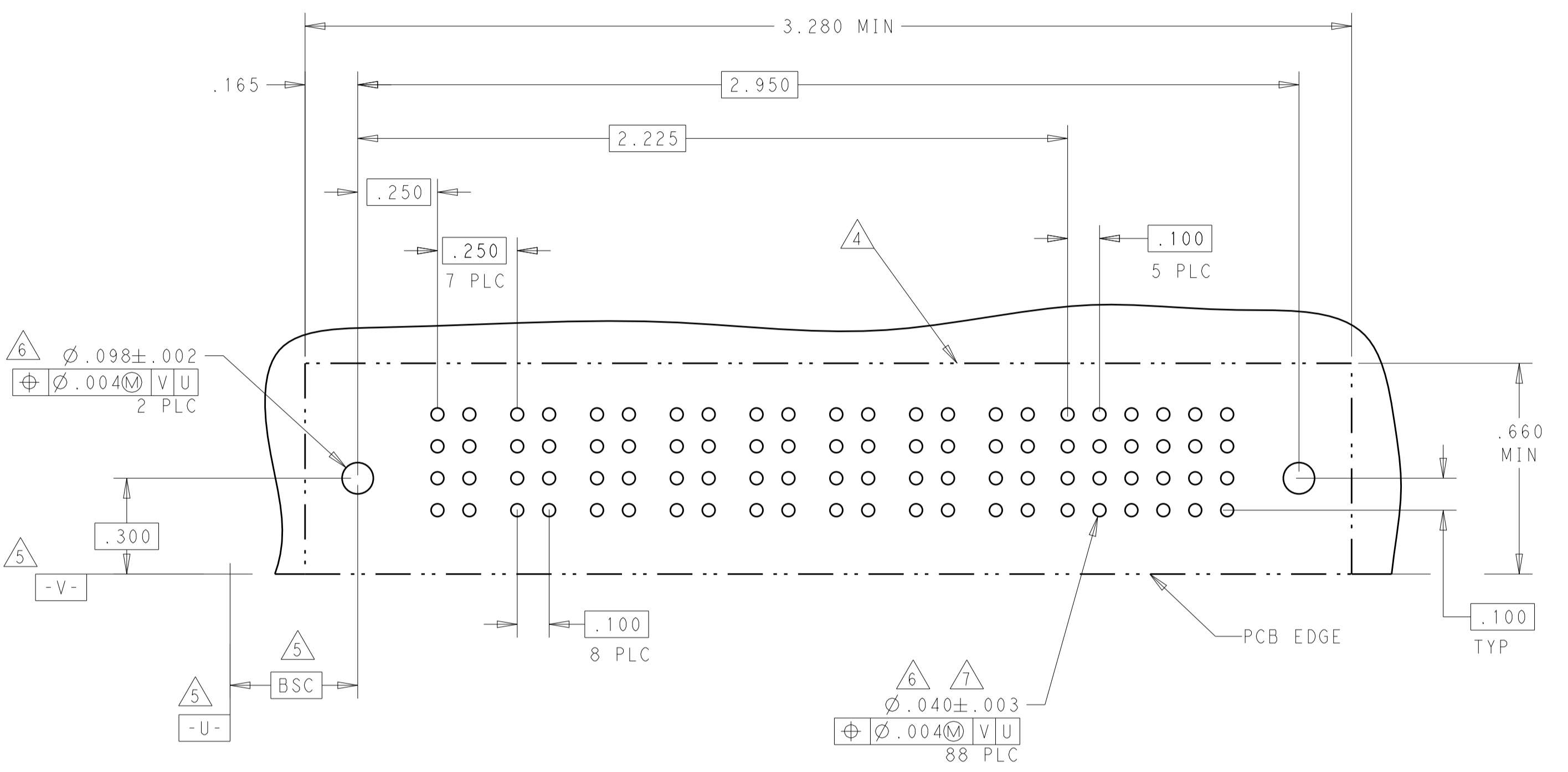
THIS DRAWING IS A CONTROLLED DOCUMENT. OWN: R. GRZYBOWSKI, TOFEB05, CHK: M. PERCHERKE, TOFEB05, APVD: M. PERCHERKE, NAME: RIGHT ANGLE HEADER ASSEMBLY W/GUIDES MULTI-BEAM XL, PRODUCT SPEC: 108-1973, APPLICATION SPEC: 114-13038, SIZE: A, CAGE CODE: 114-13038, DRAWING NO: 100779, SHEET 4 OF 11, REV: E3, CUSTOMER DRAWING, SCALE: 1:1.

LOC	DIST	REV	DATE	OWN	APVD
GP	00				

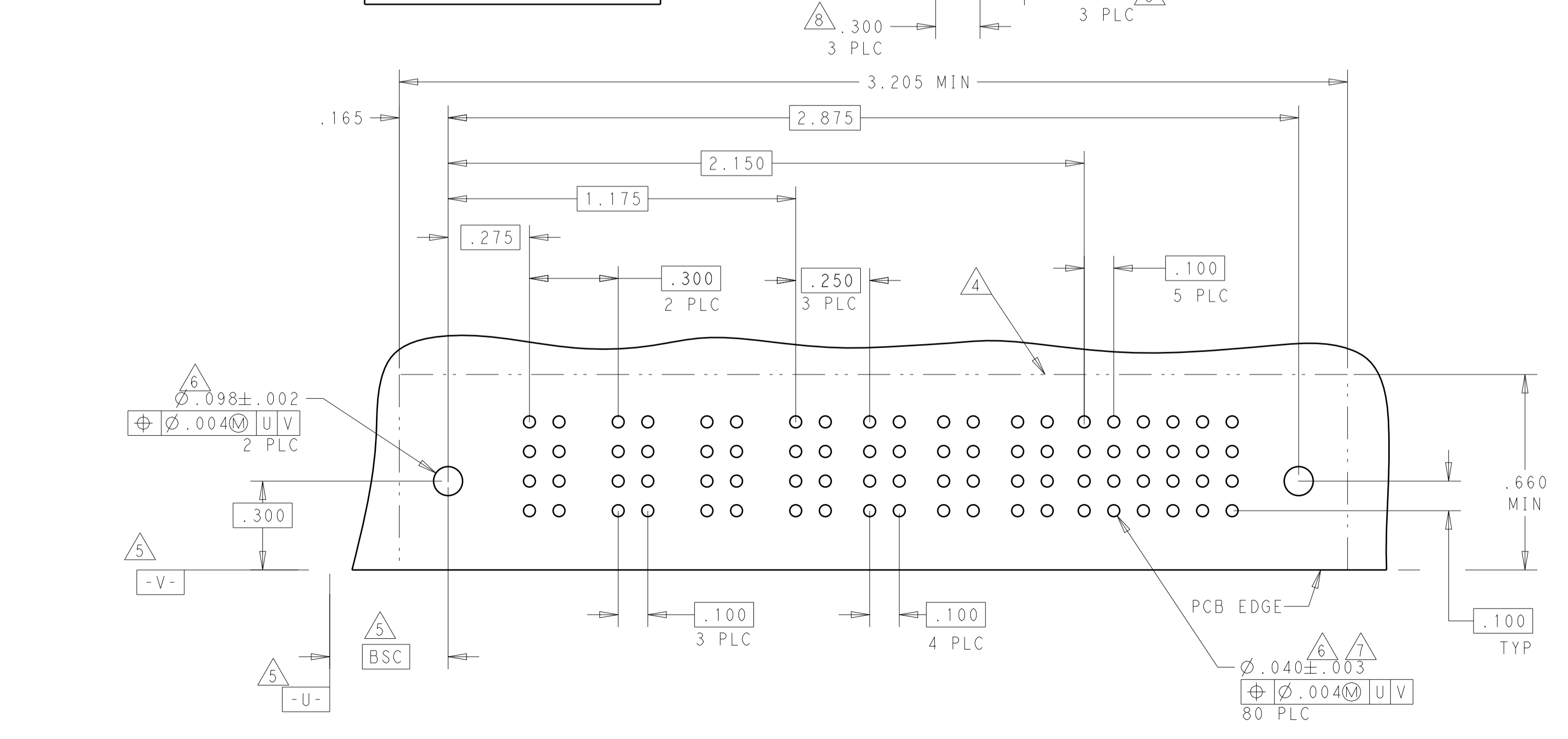
REVISIONS		DATE	OWN	APVD
1	SEE SHEET 1			

PART NUMBER	ROWS	POWER								SIGNAL					
		P1	P2	P3	P4	P5	P6	P7	P8	1	2	3	4	5	6
1-6450132-2	D C B A	PM	PM	PM	PM	PM	PM	PM	PM	J	J	J	J	E	E
		PM	PM	PM	PM	PM	PM	PM	PM	K	K	K	K	F	F
		PM	PM	PM	PM	PM	PM	PM	PM	N	N	N	N	G	G
		PM	PM	PM	PM	PM	PM	PM	PM	S	S	S	S	H	H
8P + 24S															

PART NUMBER	ROWS	POWER														SIGNAL							
		P1	P2	P3	P4	P5	P6	P7	P8	P9	P10	P11	P12	P13	P14	1	2	3	4	5	6	7	8
1-6450132-5	D C B A	PM	PM	PM	PM	PM	PM	PM	PM	PM	PM	PM	PM	PM	PM	E	J	J	J	E	J	J	J
		PM	PM	PM	PM	PM	PM	PM	PM	PM	PM	PM	PM	PM	PM	F	K	K	K	F	K	K	K
		PM	PM	PM	PM	PM	PM	PM	PM	PM	PM	PM	PM	PM	PM	N	N	N	N	N	N	N	N
		PM	PM	PM	PM	PM	PM	PM	PM	PM	PM	PM	PM	PM	PM	S	S	S	S	S	S	S	S
14P + 32S																							



PART NUMBER	ROWS	POWER							SIGNAL					
		P1	P2	P3	P4	P5	P6	P7	1	2	3	4	5	6
1-6450132-3	D C B A	PM	PM	PM	PM	PM	PM	PM	J	J	J	J	J	E
		PM	PM	PM	PM	PM	PM	PM	K	K	K	F	K	F
		PM	PM	PM	PM	PM	PM	PM	N	G	N	N	N	G
		PM	PM	PM	PM	PM	PM	PM	S	H	S	S	S	H
3ACP + 4P + 24S														



THIS DRAWING IS A CONTROLLED DOCUMENT.

DIMENSIONS: INCHES	TOLERANCES UNLESS OTHERWISE SPECIFIED: 0 PLC ±. 1 PLC ±.01 2 PLC ±.01 3 PLC ±.005 4 PLC ±.0020 ANGLES ±.2°	OWN: R. GRZYBOWSKI CHK: M. PERCHERKE APVD: M. PERCHERKE	TOFEB05 TOFEB05		TE Connectivity
MATERIAL:	FINISH:	PRODUCT SPEC: 108-1973 APPLICATION SPEC: 114-13038 WEIGHT:	NAME: RIGHT ANGLE HEADER ASSEMBLY W/GUIDES MULTI-BEAM XL SIZE: A100779 CAGE CODE: C=6450132		RESTRICTED TO:

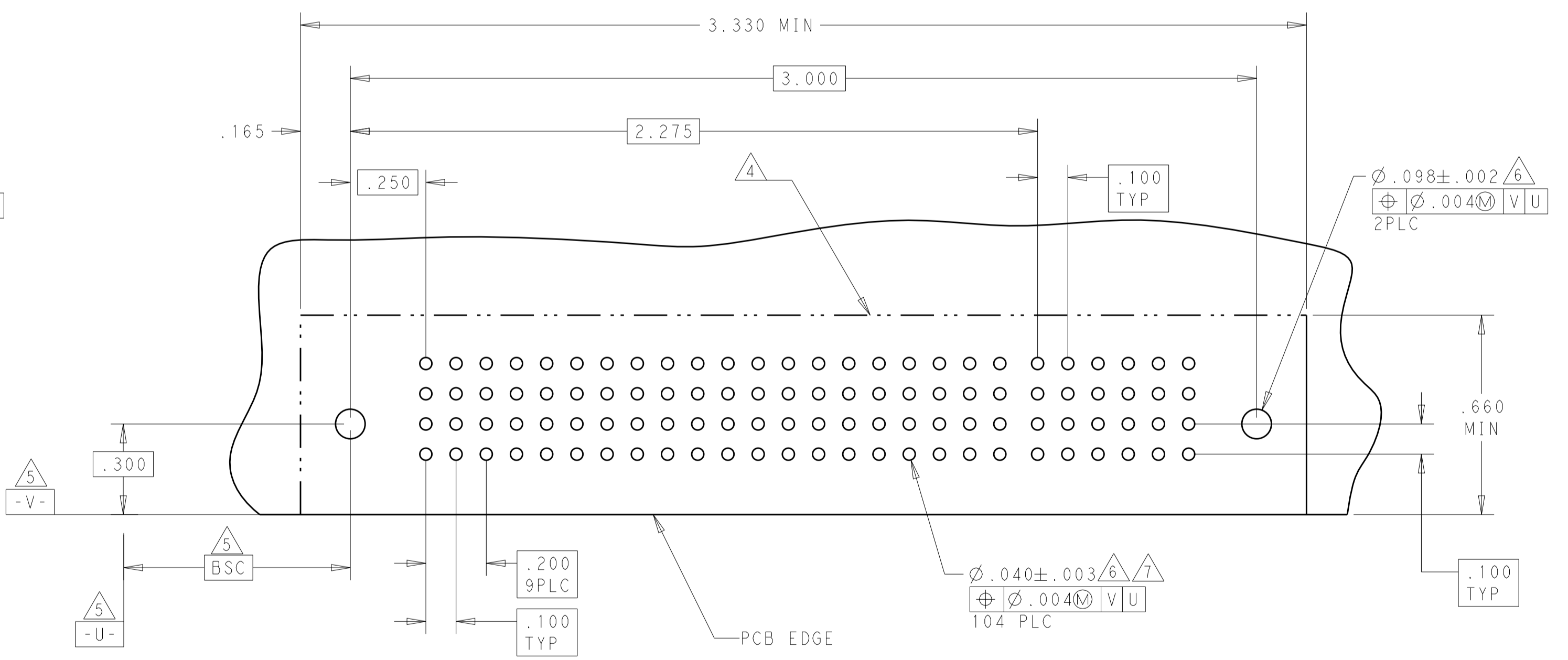
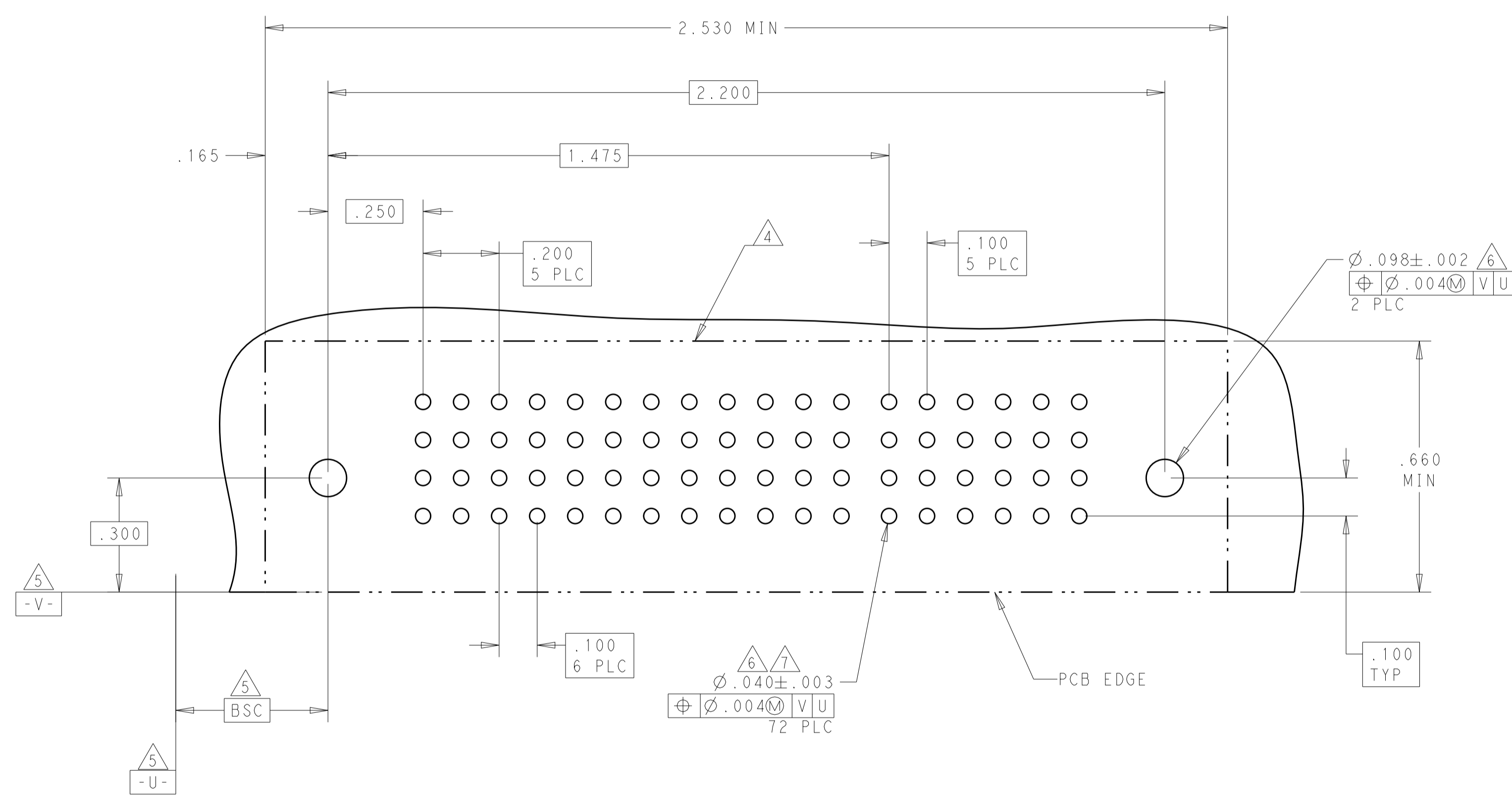
CUSTOMER DRAWING

LOC		DIST		REVISONS			
GP	00	P	LYR	DESCRIPTION	DATE	OWN	APVD
		-		SEE SHEET 1			

PART NUMBER	ROWS	POWER						SIGNAL					
		P1	P2	P3	P4	P5	P6	1	2	3	4	5	6
2-6450132-0	D C B A	PM	PM	PM	PM	PM	PM	J	J	J	J	J	J
								K	K	K	K	K	K
								N	N	N	N	N	N
								H	H	H	H	H	H
6P + 24S													

PART NUMBER	ROWS	POWER										SIGNAL					
		P1	P2	P3	P4	P5	P6	P7	P8	P9	P10	1	2	3	4	5	6
2-6450132-1	D C B A	PM	PM	PM	PM	PM	PM	PM	PM	PM	PM	J	E	J	J	J	E
												K	F	K	K	K	F
												N	N	N	N	N	G
												S	S	S	S	S	H
10P + 24S																	

PART NUMBER	ROWS	POWER										SIGNAL					
		P1	P2	P3	P4	P5	P6	P7	P8	P9	P10	1	2	3	4	5	6
2-6450132-3	D C B A	PM	PM	PM	PM	PM	PM	PM	PM	PM	PM	J	E	J	J	J	J
												K	F	K	K	K	K
												N	N	N	N	N	N
												S	S	S	S	S	S
10P + 24S																	



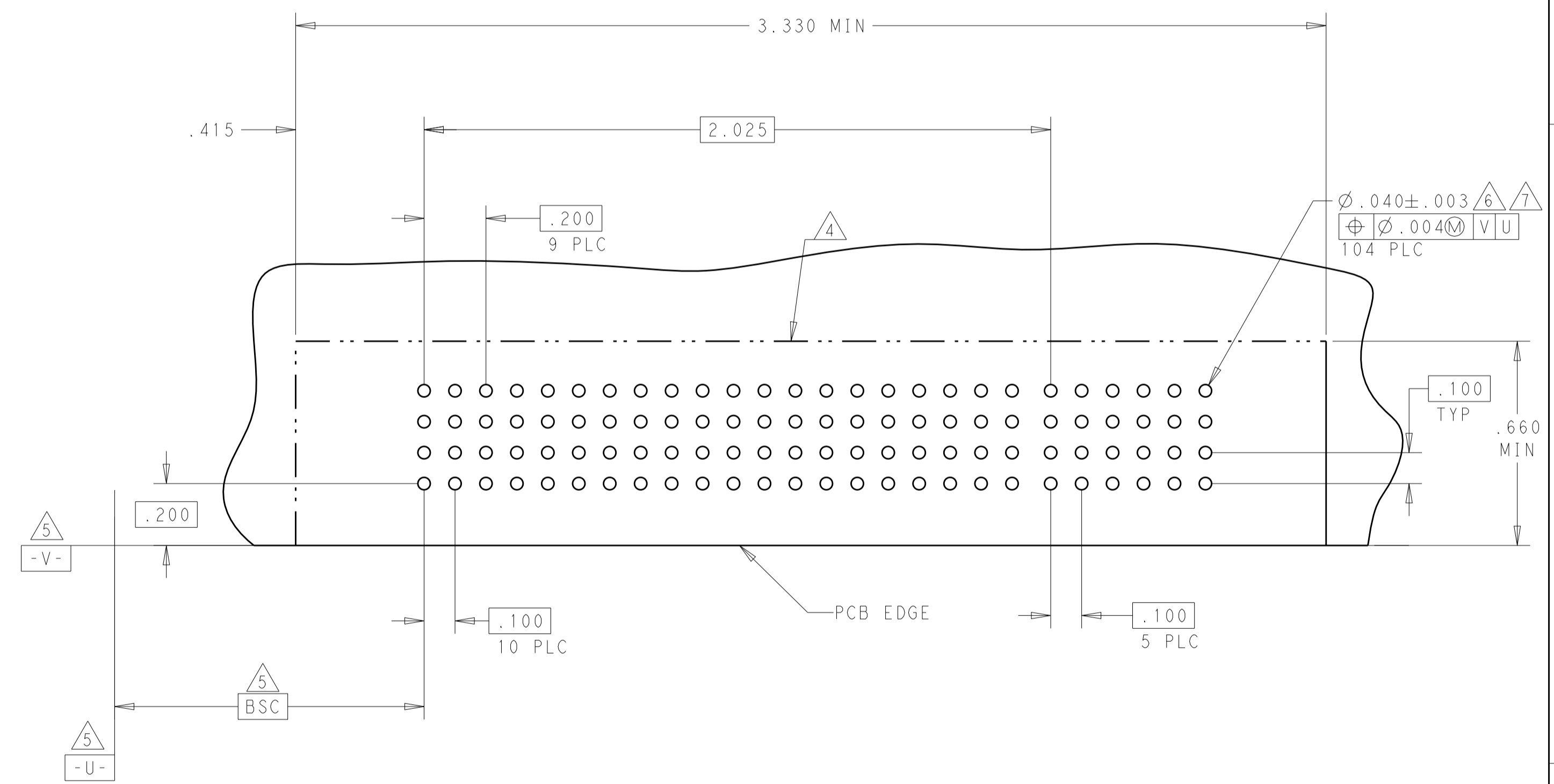
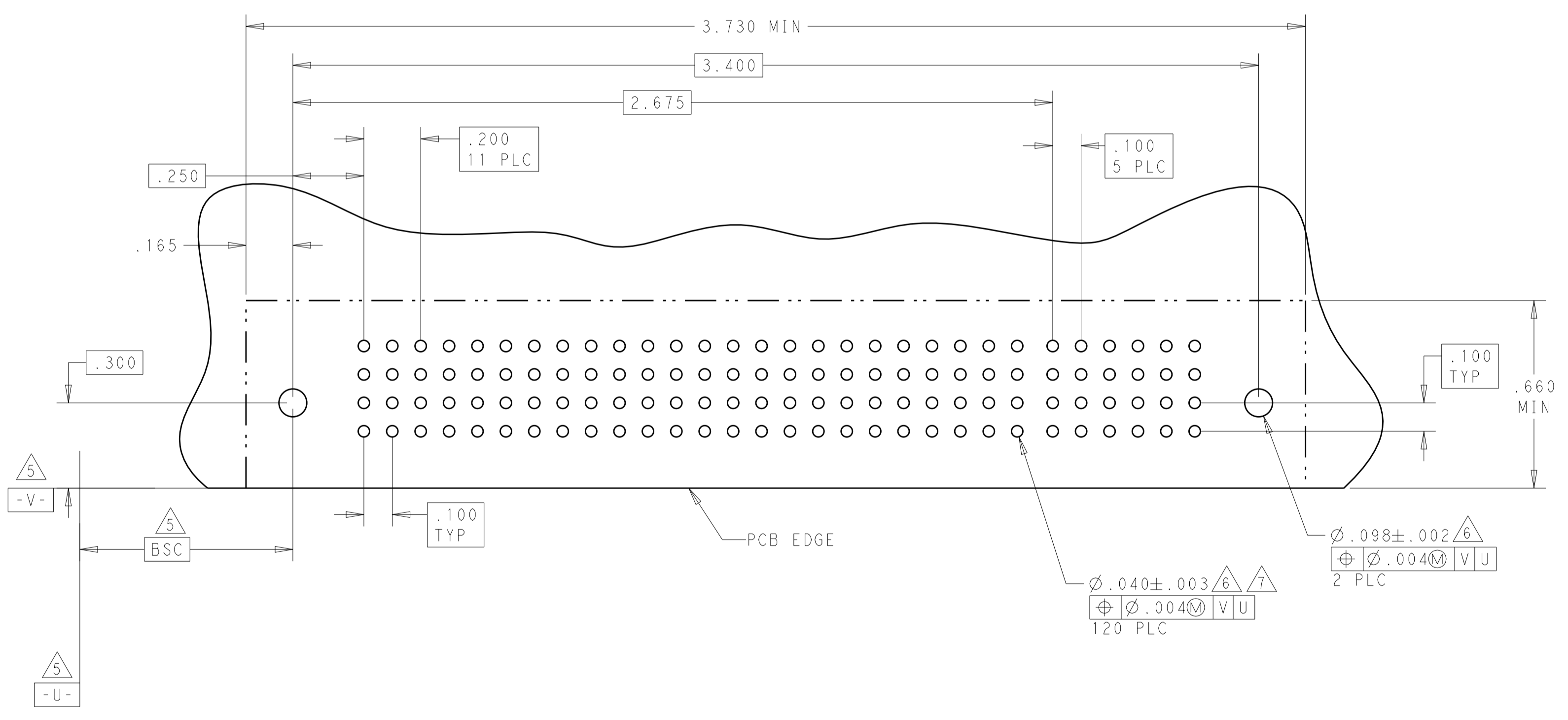
2-6450132-1 AND 2-6450132-3 PCB LAYOUT

THIS DRAWING IS A CONTROLLED DOCUMENT.		OWN: R. GRZYBOWSKI CHK: M. PERCHERKE APVD: M. PERCHERKE	10FEB05 10FEB05	TE Connectivity
DIMENSIONS: INCHES		TOLERANCES UNLESS OTHERWISE SPECIFIED:	NAME: RIGHT ANGLE HEADER ASSEMBLY W/GUIDES MULTI-BEAM XL	
0 PLC ± 1 PLC ±.01 2 PLC ±.01 3 PLC ±.005 4 PLC ±.002 ANGLES ±.020		MATERIAL: FINISH:	PRODUCT SPEC: 108-1973 APPLICATION SPEC: 114-13038 WEIGHT:	SIZE: A1 CAGE CODE: 00779 DRAWING NO: C=6450132
		CUSTOMER DRAWING		RESTRICTED TO: SCALE: 1:1 SHEET: 8 OF 11 REV: E3

LOC	DIST	REVISIONS			
P	LTN	DESCRIPTION	DATE	DMN	APVD
-	-	SEE SHEET 1	-	-	-

PART NUMBER	ROWS	POWER												SIGNAL					
		P1	P2	P3	P4	P5	P6	P7	P8	P9	P10	P11	P12	1	2	3	4	5	6
2-6450132-2	D C B A	PM	PM	PM	PM	PM	PM	PM	PM	PM	PM	PM	PM	E	J	J	J	J	E
		PM	PM	PM	PM	PM	PM	PM	PM	PM	PM	PM	PM	K	K	K	K	K	K
		PM	PM	PM	PM	PM	PM	PM	PM	PM	PM	PM	PM	N	N	N	N	N	N
		PM	PM	PM	PM	PM	PM	PM	PM	PM	PM	PM	PM	S	S	S	S	S	S

PART NUMBER	ROWS	POWER										SIGNAL					
		P1	P2	P3	P4	P5	P6	P7	P8	P9	P10	1	2	3	4	5	6
2-6450132-4	D C B A	PM	PM	PM	PM	PM	PM	PM	PM	PM	PM	J	E	J	J	J	E
		PM	PM	PM	PM	PM	PM	PM	PM	PM	PM	K	F	K	K	K	F
		PM	PM	PM	PM	PM	PM	PM	PM	PM	PM	N	N	N	N	N	G
		PM	PM	PM	PM	PM	PM	PM	PM	PM	PM	S	S	S	S	S	H



THIS DRAWING IS A CONTROLLED DOCUMENT.

DIMENSIONS: INCHES	TOLERANCES UNLESS OTHERWISE SPECIFIED: 0 PLC ±. 2 PLC ±.01 3 PLC ±.005 4 PLC ±.0020 ANGLES ±.7°	FINISH	FINISH
-----------------------	--	--------	--------

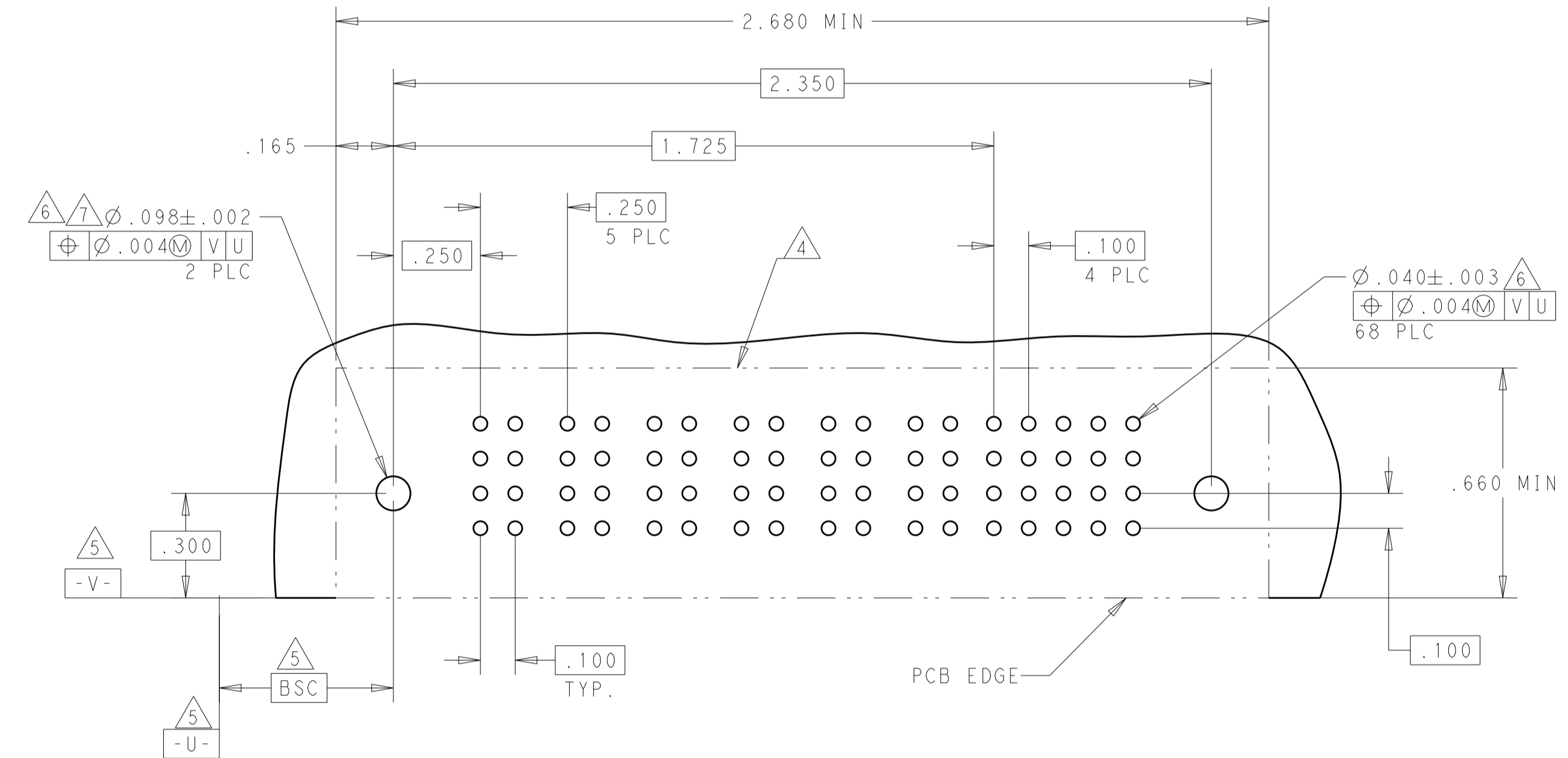
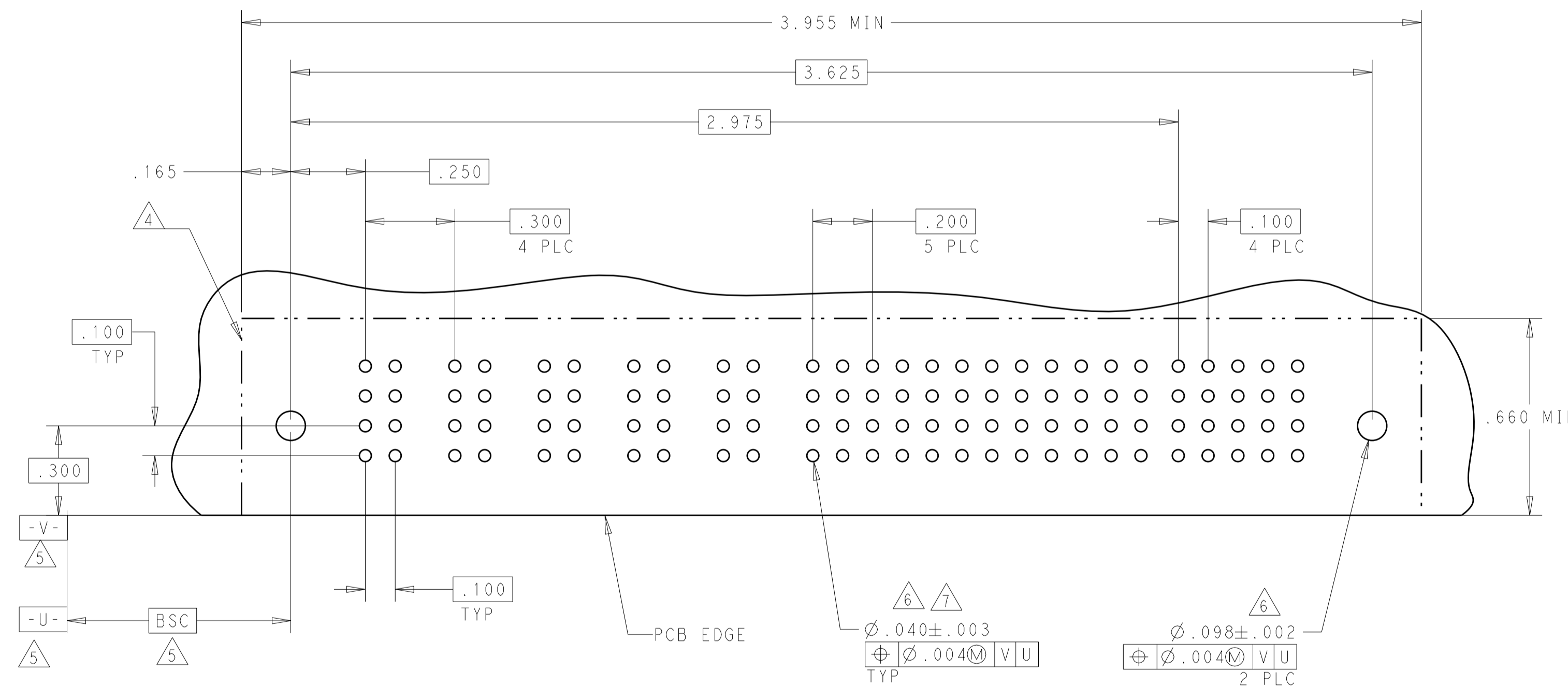
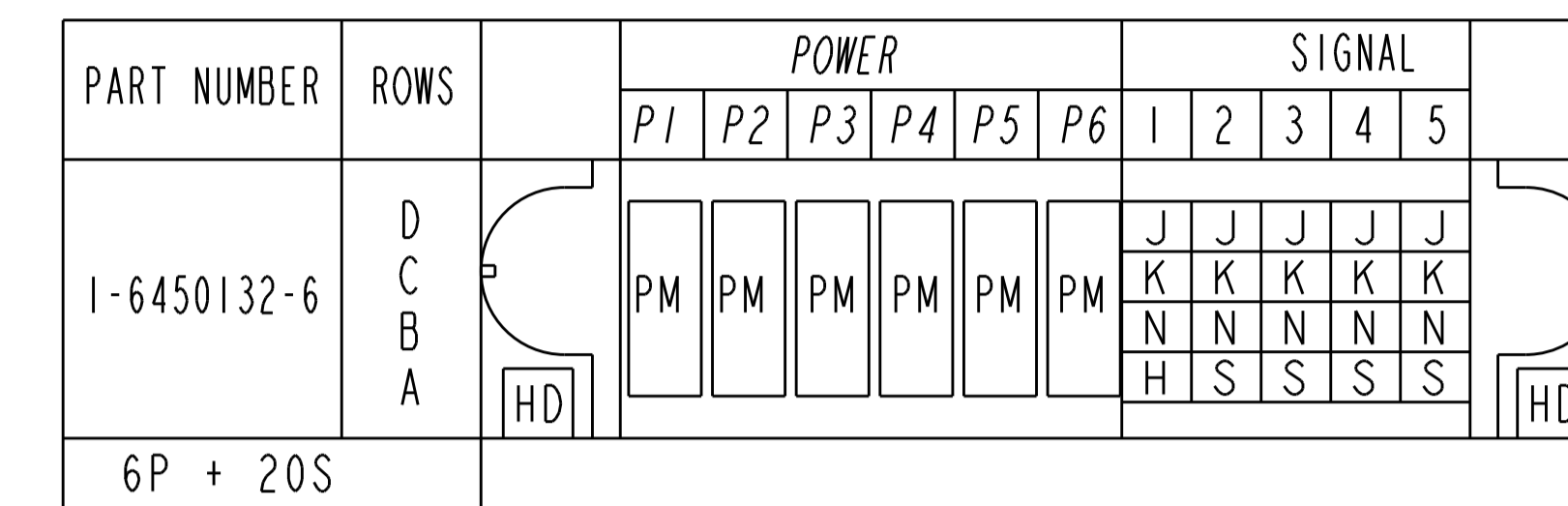
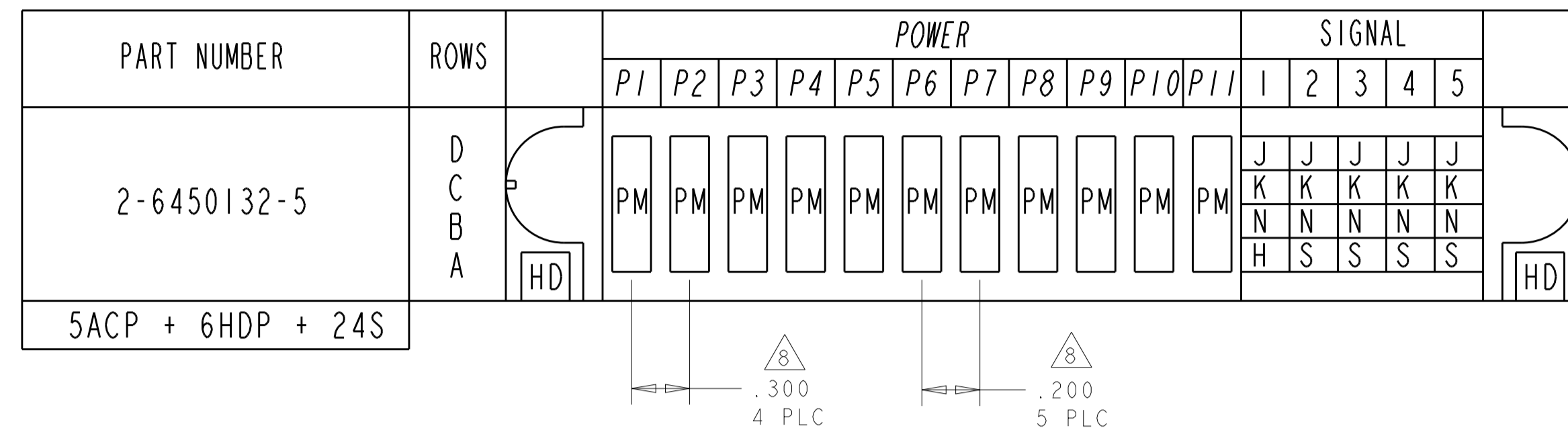
DMN: R. GRZYBOWSKI	TOFEB05	CHK: M. PERCHERKE	TOFEB05
APVD: M. PERCHERKE	NAME: R. GRZYBOWSKI	PRODUCT SPEC: 108-1973	APPLICATION SPEC: 114-13038
SIZE: A	CAGE CODE: 100779	DRAWING NO: 6450132	RESTRICTED TO: -
CUSTOMER DRAWING		SCALE: 1:1	SHEET 9 OF 11

TE Connectivity

RIGHT ANGLE HEADER ASSEMBLY W/GUIDES MULTI-BEAM XL

4805 (3/11)

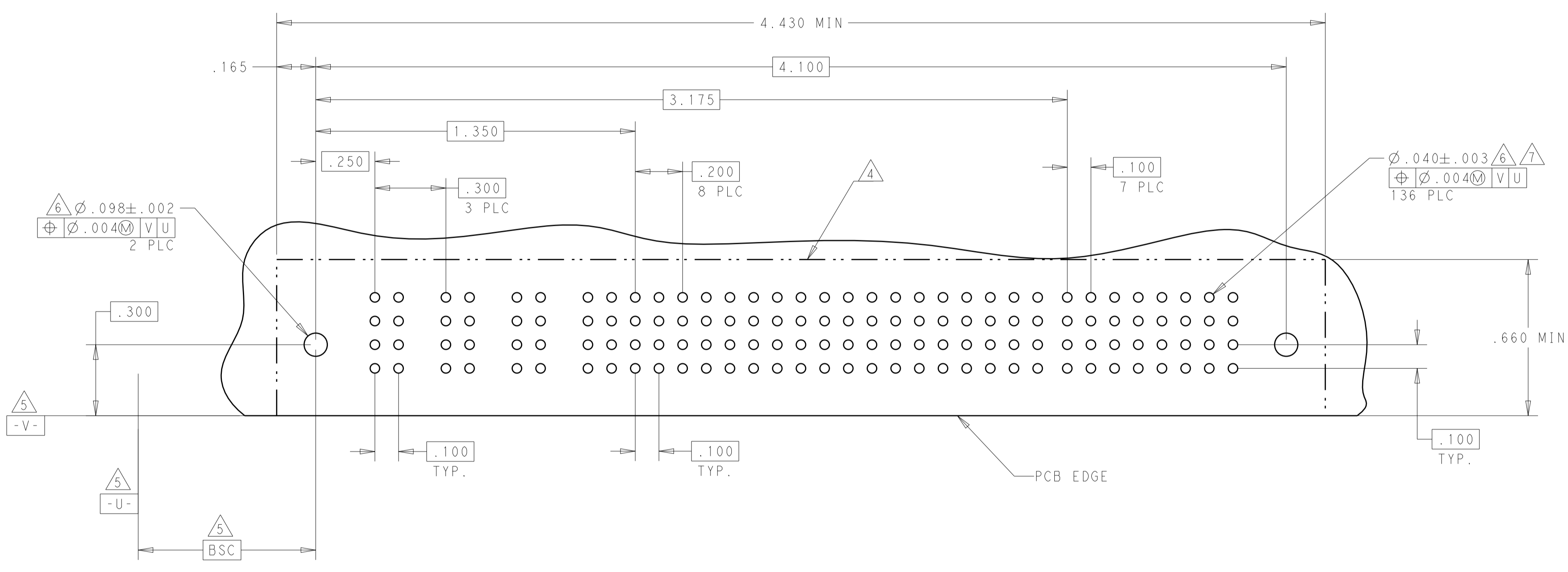
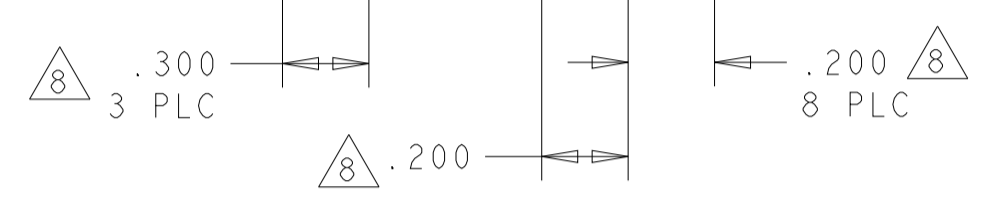
LOC	DIST	REVISIONS			
P	LTN	DESCRIPTION	DATE	DMN	APVD
-	-	SEE SHEET 1	-	-	-



THIS DRAWING IS A CONTROLLED DOCUMENT.		DMN: R. GRZYBOWSKI	TOFEB05	 TE Connectivity
DIMENSIONS: INCHES		CHK: M. PERCHERKE	TOFEB05	
TOLERANCES UNLESS OTHERWISE SPECIFIED: 0 PLC ±. 1 PLC ±.01 2 PLC ±.01 3 PLC ±.005 4 PLC ±.0020 ANGLES ±.2°		APVD: M. PERCHERKE	NAME: RIGHT ANGLE HEADER ASSEMBLY W/GUIDES MULTI-BEAM XL	RESTRICTED TO
MATERIAL: -		PRODUCT SPEC: 108-1973	APPLICATION SPEC: 114-13038	SIZE: A1
FINISH: -		WEIGHT: -	CAGE CODE: 6450132	SCALE: 1:1
CUSTOMER DRAWING		SHEET 10 OF 11		REV: E3

LOC		DIST		REVISIONS			
GP	00	P	LTN	DESCRIPTION	DATE	DWN	APVD
		-		SEE SHEET 1			

PART NUMBER	ROWS	POWER													SIGNAL							
		P1	P2	P3	P4	P5	P6	P7	P8	P9	P10	P11	P12	P13	1	2	3	4	5	6	7	8
2-6450132-7	D	PM	PM	PM	PM	PM	PM	PM	PM	PM	PM	PM	PM	J	J	J	J	J	J	J	E	
	C	PM	PM	PM	PM	PM	PM	PM	PM	PM	PM	PM	PM	K	K	K	K	K	K	K	F	
	B	PM	PM	PM	PM	PM	PM	PM	PM	PM	PM	PM	PM	N	N	N	N	N	N	N	G	
	A	PM	PM	PM	PM	PM	PM	PM	PM	PM	PM	PM	PM	S	S	S	S	S	S	S	H	



THIS DRAWING IS A CONTROLLED DOCUMENT.

DIMENSIONS: INCHES	TOLERANCES UNLESS OTHERWISE SPECIFIED: 0 PLC ±. 1 PLC ±. 2 PLC ±.01 3 PLC ±.005 4 PLC ±.0020 ANGLES ±.7°	DWN: R. GRZYBOWSKI CHK: M. PERCHERKE APVD: M. PERCHERKE	10FEB05 10FEB05		NAME: RIGHT ANGLE HEADER ASSEMBLY W/GUIDES MULTI-BEAM XL
MATERIAL: -	FINISH: -	PRODUCT SPEC: 108-1973 APPLICATION SPEC: 114-13038 WEIGHT: -	SIZE: A1 CAGE CODE: 100779 DRAWING NO: C=6450132		RESTRICTED TO: -

CUSTOMER DRAWING SCALE 1:1 SHEET 11 OF 11 REV E3

单击下面可查看定价，库存，交付和生命周期等信息

[>>TE Connectivity\(泰科\)](#)