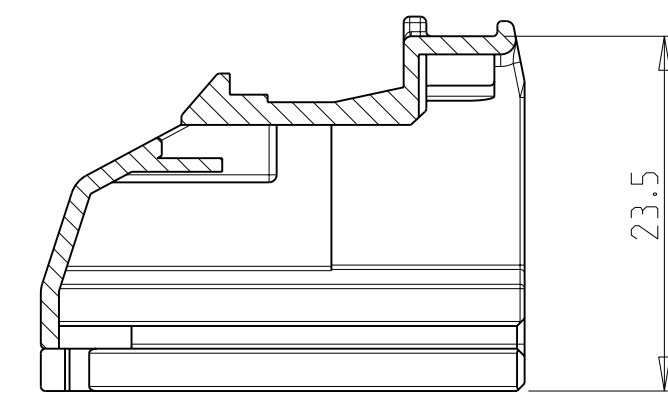
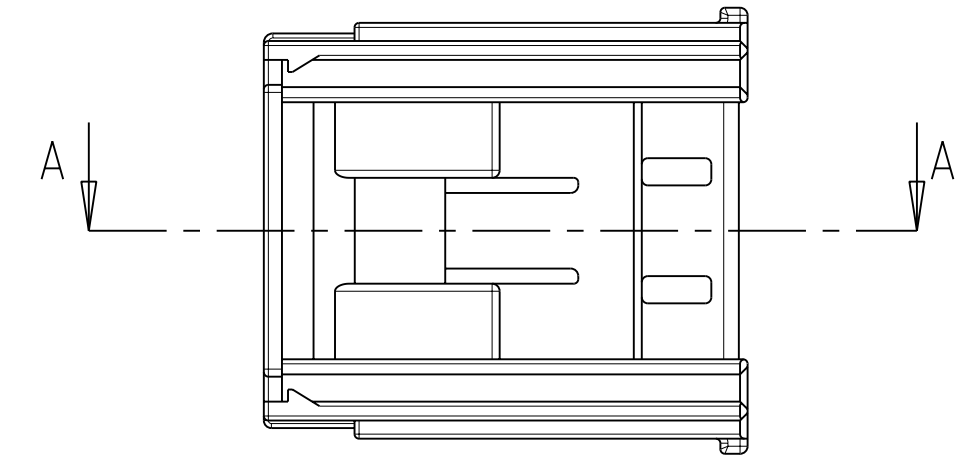
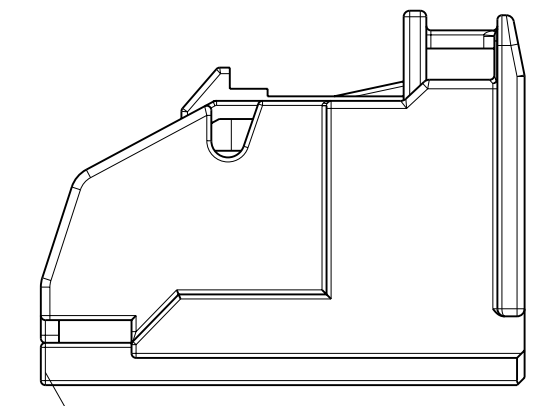
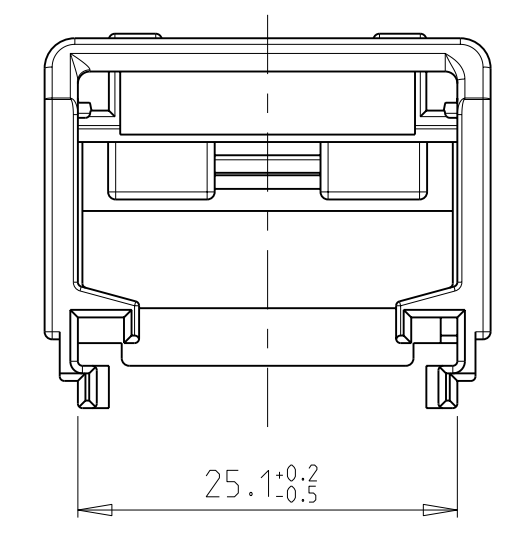
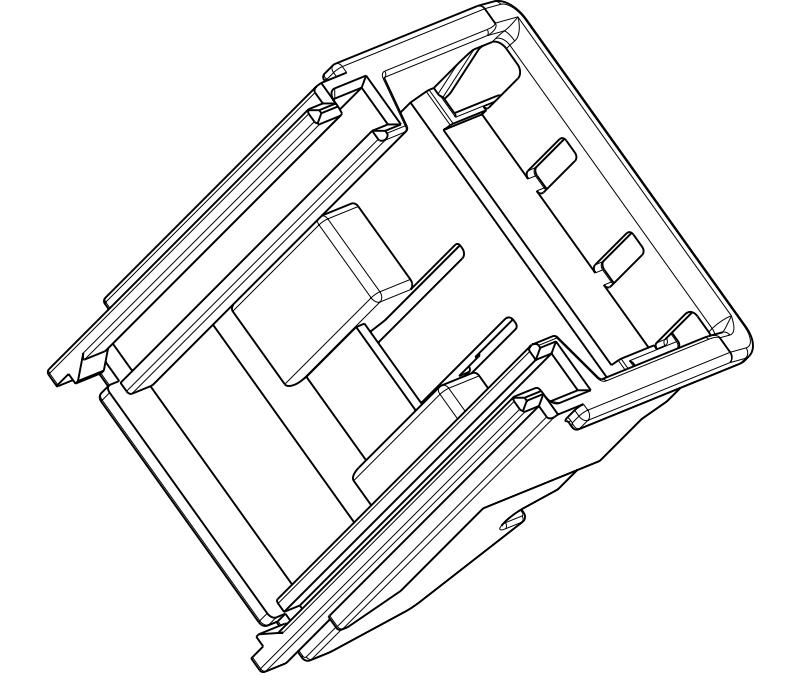
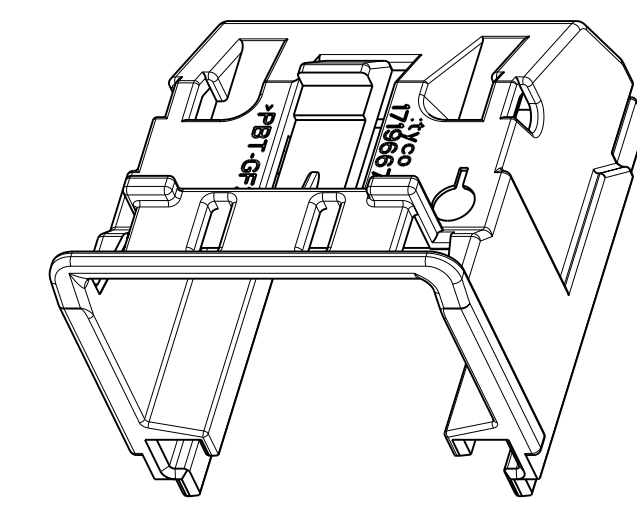


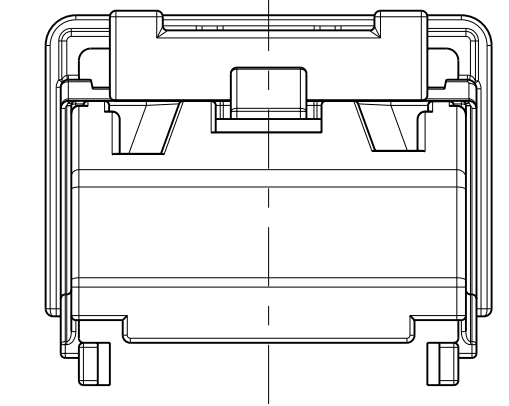
LOC	DIST	REVISIONS					
		P	LTB	DESCRIPTION	DATE	DWN	APVD
A1	-	A		NEW PART. NEW DRAWING	26MAY2006	MK	KR
		B		E-06-028097	04JAN2007	MK	KR
		B1		ECR-07-011418	15MAY2007	GP	GM
		B2		E-07-028159	22NOV2007	MK	GM



A-A



MEASURE POINT FOR DIMENSION 25.1

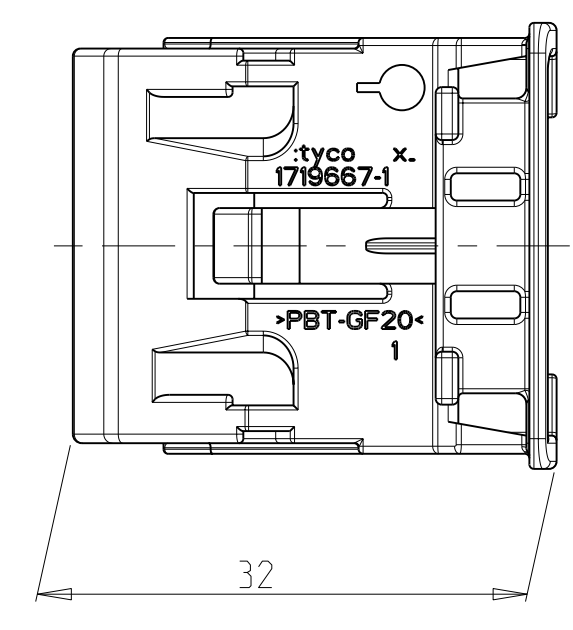


NOTES:
Bemerkungen:

1 PACKAGING: LOOSE PIECE IN CARDBOARD BOX
Verpackung: Teile lose beige stellt in Karton

2 MATED WITH:
verwendet mit:

- REC. HSG. 32 POS. 0-1719675
- REC. HSG. 32 POS. 0-1719682
- REC. HSG. 32 POS. 0-1418392
- REC. HSG. 32 POS. 0-1670065
- REC. HSG. 32 POS. 0-1670066



PART NO	REVISION	MATERIAL	DESCRIPTION	COLOR	ITEM NO
0-1719667-1	B	PBT-GF20	COVER FOR 32 POS. PCM CONNECTOR	BLACK	1

DIMENSIONS:		TOLERANCES UNLESS OTHERWISE SPECIFIED:		DWN		NAME	
mm	9 PLC ±0.3	1 PLC ±0.3	2 PLC ±0.3	M. Kressmann	22MAY2006	Tyco Electronics AMP GmbH	
	3 PLC ±0.3	4 PLC ±0.3	ANGLES ±	K.ROTH	26MAY2006	D - 64625 Bensheim	
			FINISH	Tyco Electronics			
MATERIAL				Cover for 32pos. Connector			
				COVER MQS CB.90			
				SIZE CAGE CODE DRAWING NO RESTRICTED TO			
				A1 00779 C=1719667			
				CUSTOMER DRAW ING SCALE 2:1 SHEET 1 OF 1 REV B2			

单击下面可查看定价，库存，交付和生命周期等信息

[>>TE Connectivity\(泰科\)](#)