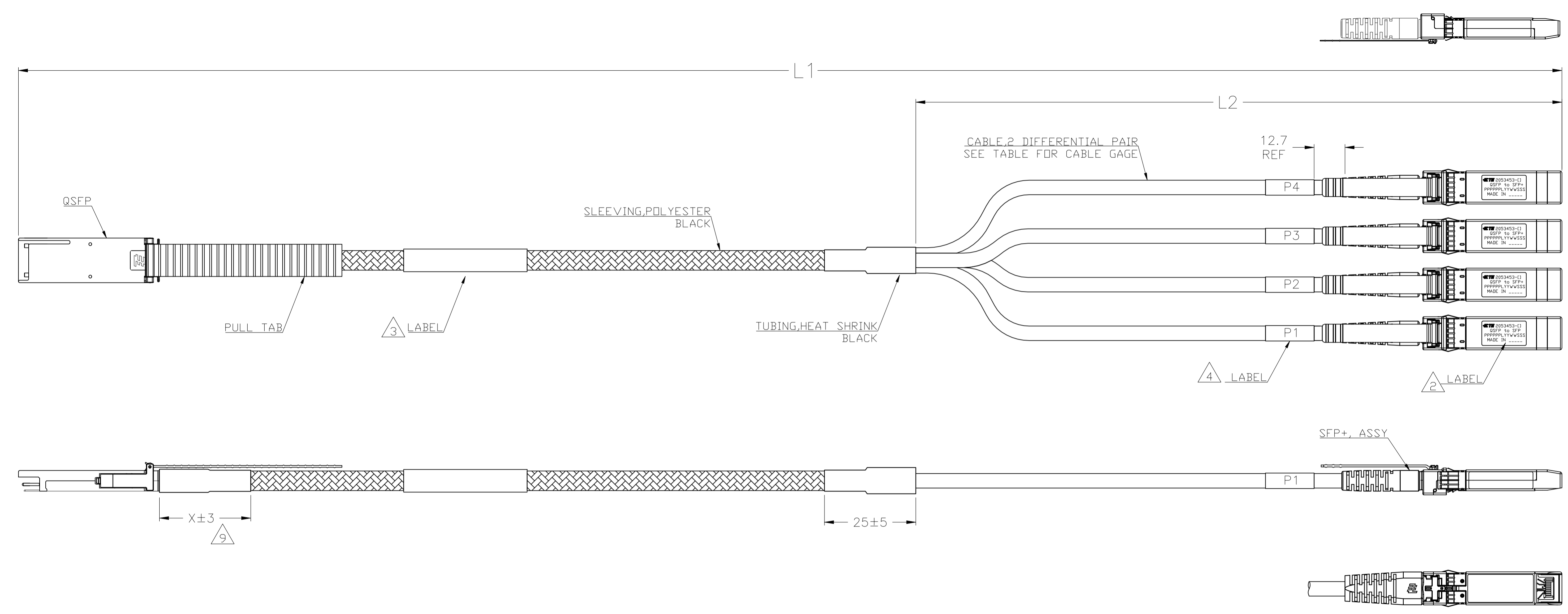
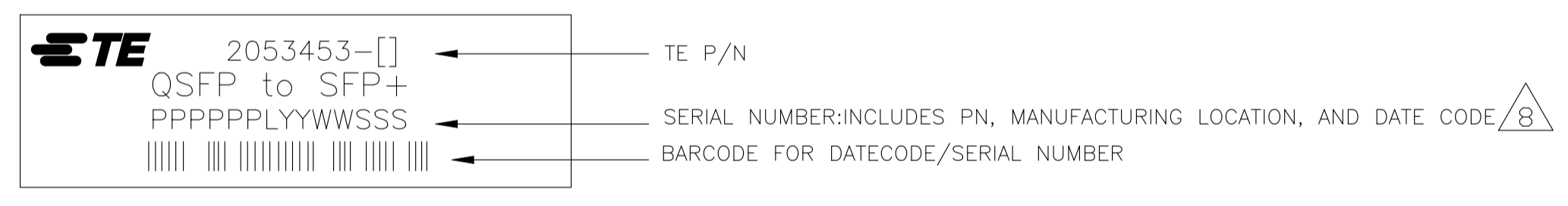


REVISIONS					
P	LTR	DESCRIPTION	DATE	DRN	APVD
M		REVISED PER ECR-20-017946	24SEP2021	AP	EC

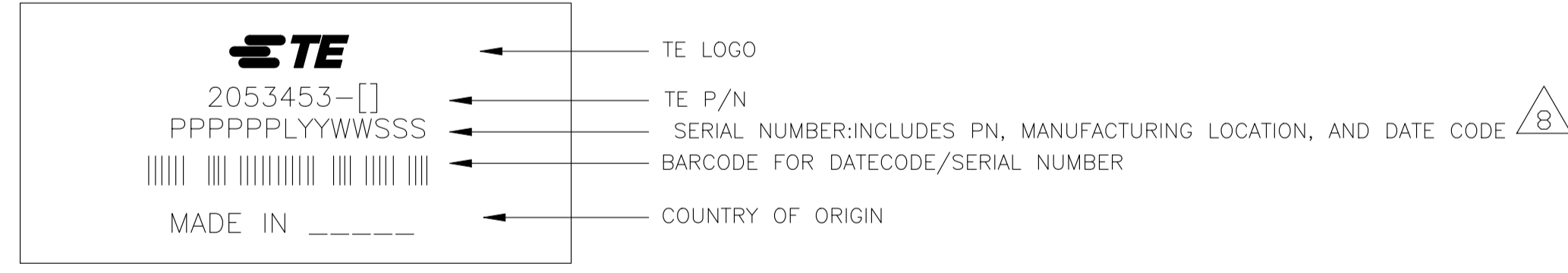


1. CHARACTERISTIC IMPEDANCE: 100±10 OHMS (MEASURED DIFFERENTIALLY)

2 LABEL INFORMATION:



3 LABEL INFORMATION:



4 LABEL INFORMATION:



- 5. CABLE ASSEMBLY TO BE TESTED FOR CONTINUITY, OPENS, SHORTS AND PROPER EEPROM PROGRAM.
- 6. SEE SHEET 2 FOR WIRING DIAGRAM.
- 7. PRODUCT AND PROCESSING MEETS THE REQUIREMENTS OF TE STANDARD TEC-138-702.

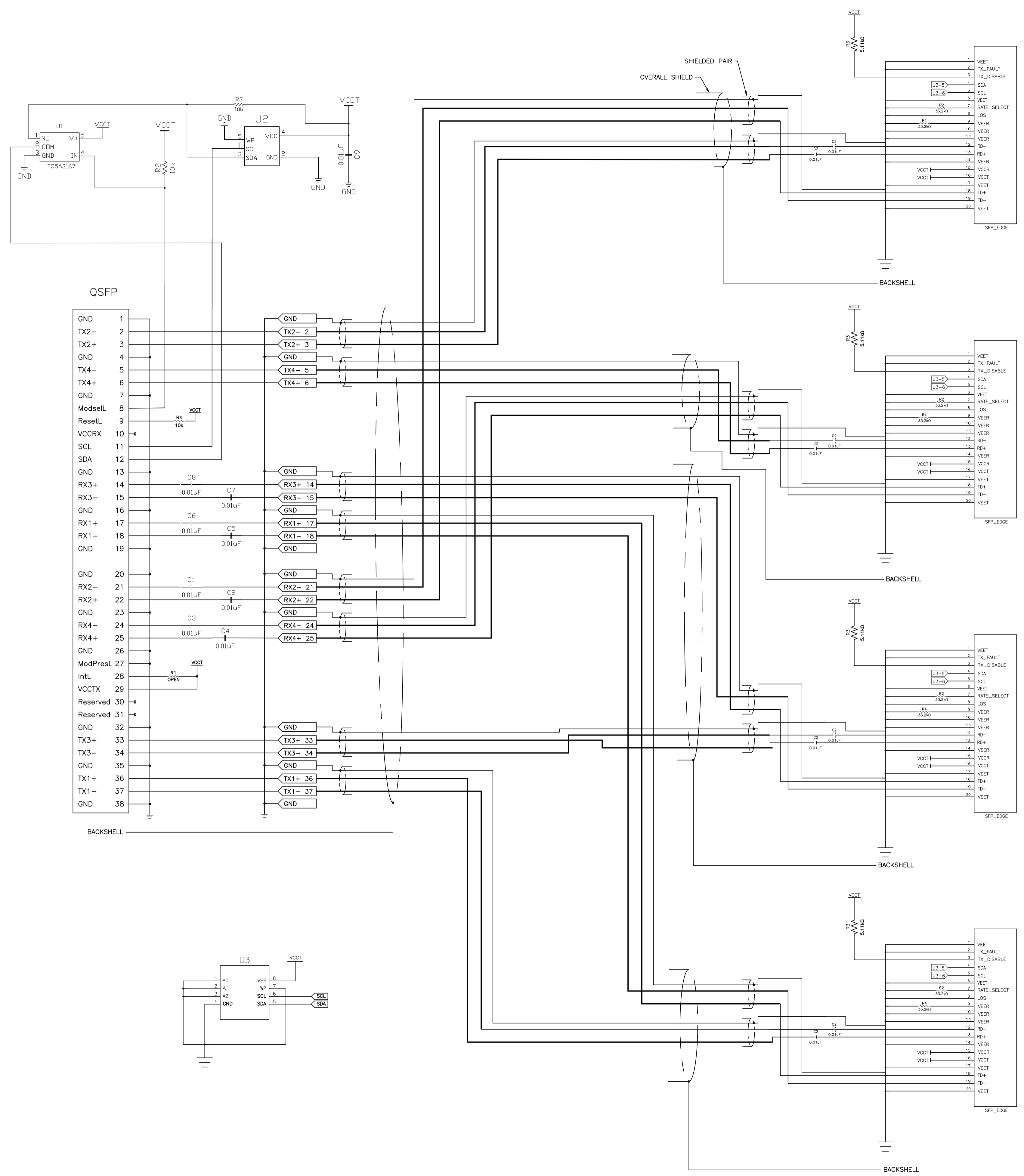
- 8 SERIAL NUMBER BEGINS WITH 001 AT THE BEGINNING OF EACH WEEK.
- 9 SEE TABLE FOR HEAT SHRINK TUBE LENGTH.

OBSOLETE	35	26 AWG	1000±25	4000 ⁺⁸⁰ ₋₀	1-2053453-3
OBSOLETE	35	26 AWG	1000±25	3500 ⁺⁸⁰ ₋₀	1-2053453-2
OBSOLETE	35	26 AWG	1000±25	3000 ⁺⁸⁰ ₋₀	1-2053453-1
OBSOLETE	35	26 AWG	1000±25	4500 ⁺⁸⁰ ₋₀	1-2053453-0
	50	30 AWG	1000±25	1500 ⁺⁵⁰ ₋₀	2053453-8
	50	30 AWG	1000±25	2500 ⁺⁸⁰ ₋₀	2053453-7
OBSOLETE	35	26 AWG	1000±25	5000 ⁺⁸⁰ ₋₀	2053453-6
	50	28 AWG	1000±25	4000 ⁺⁸⁰ ₋₀	2053453-5
	50	30 AWG	1000±25	3000 ⁺⁸⁰ ₋₀	2053453-4
	50	30 AWG	1000±25	2000 ⁺⁸⁰ ₋₀	2053453-3
	50	30 AWG	500±25	1000 ⁺⁵⁰ ₋₀	2053453-2
	50	30 AWG	250±25	500 ⁺⁵⁰ ₋₀	2053453-1
	"X"	CABLE GAGE	L2	L1	PART NO

THIS DRAWING IS A CONTROLLED DOCUMENT.

DIMENSIONS: mm	TOLERANCES UNLESS OTHERWISE SPECIFIED:	DIN 310CT2008	TE Connectivity Ltd.
0. PLC ±	1. PLC ±	310CT2008	NAME
2. PLC ±	3. PLC ±	310CT2008	CABLE ASSEMBLY, QSFP TO [4] SFP+
4. PLC ±	ANGLES ±	310CT2008	PRODUCT SPEC
MATERIAL	FINISH	APPROVED	APPLICATION SPEC
		WEIGHT	SIZE
		0	A1 00779
		C=2053453	DRAWING NO
		CUSTOMER DRAWING	RESTRICTED TO
		SCALE 1:1	SHEET 1 of 2
			REV M

REVISIONS				
P	LTR	DESCRIPTION	DATE	APVD
-	SEE SHEET 1			



SFP+ P2

SFP+ P4

SFP+ P3

SFP+ P1

THIS DRAWING IS A CONTROLLED DOCUMENT.		DWG: EJ DU 31OCT2008	TE Connectivity Ltd.
DIMENSIONS: mm		CHK: J ELLISON 31OCT2008	
		APVD: J ELLISON 31OCT2008	NAME: CABLE ASSEMBLY, QSFP to (4) SFP+
TOLERANCES UNLESS OTHERWISE SPECIFIED:		PRODUCT SPEC	
0. PLC ± - 1. PLC ± - 2. PLC ± - 3. PLC ± - 4. PLC ± - ANGLES ± -		APPLICATION SPEC	
MATERIAL: -		WEIGHT: -	
FINISH: -		SIZE: A1	
CUSTOMER DRAWING		CAGE CODE: 00779 DRAWING NO: C=2053453 RESTRICTED TO: -	
SCALE: 1:1		SHEET 2 OF 2	
		REV M	

单击下面可查看定价，库存，交付和生命周期等信息

[>>TE Connectivity\(泰科\)](#)