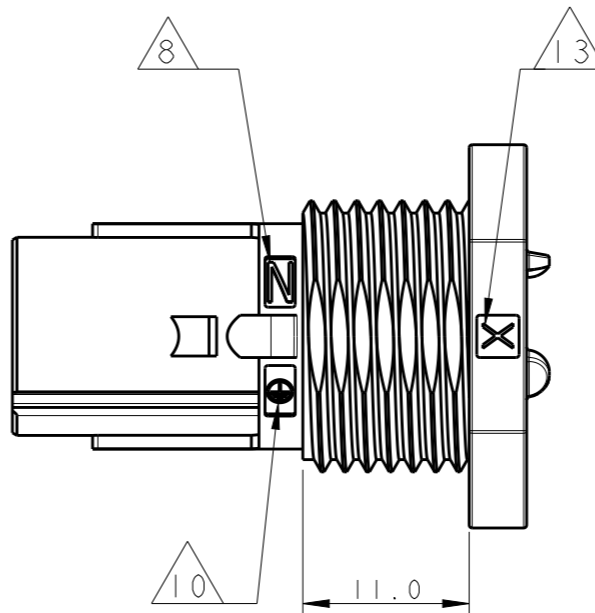
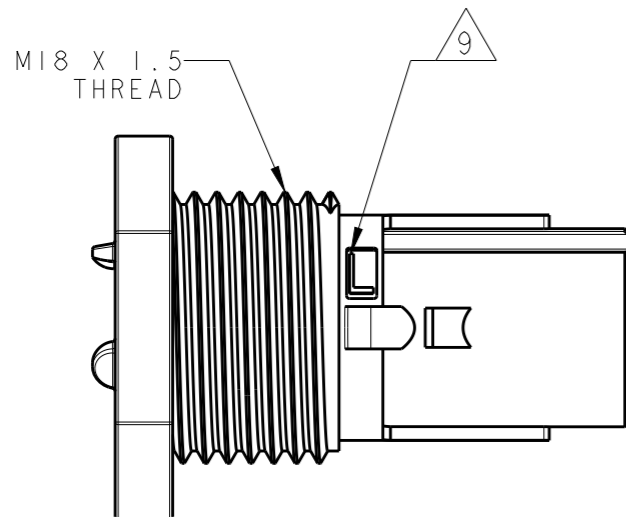
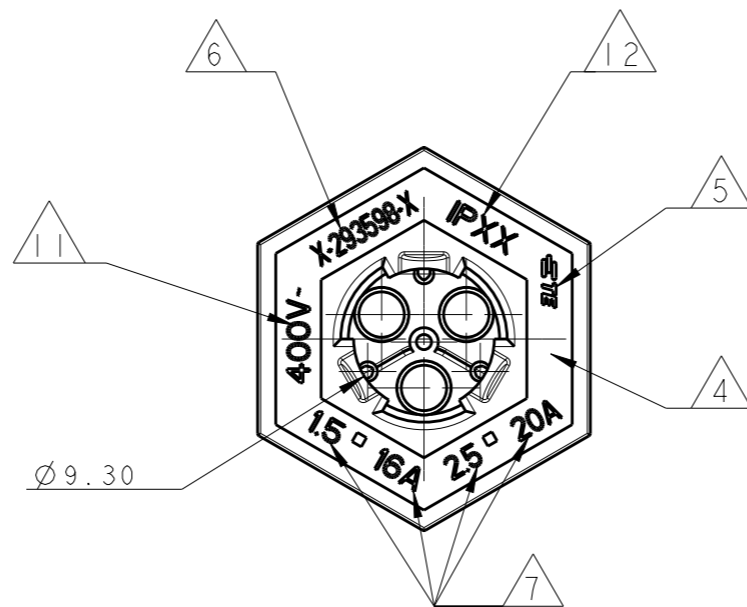
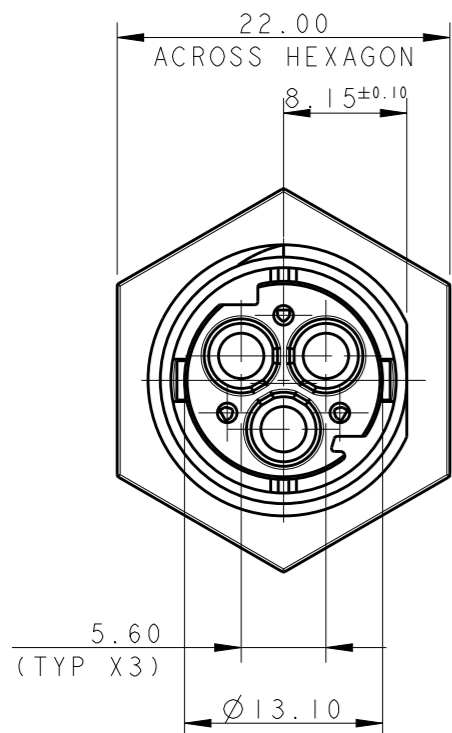


THIS DRAWING IS UNPUBLISHED. RELEASED FOR PUBLICATION 2011  
 © COPYRIGHT 2011 BY - ALL RIGHTS RESERVED.

LOC	DIST	REVISIONS				
P	LTR	DESCRIPTION	DATE	DWN	APVD	
1	-	E1	REVISED MARKINGS	06NOV2012	MZ	JC
		F	PARTS -2, -3, 1-2, 1-3 RELEASED FOR PRODUCTION	26JUN2013	KR	JC
		G	REVISED PART NUMBERS AND ALIGNED REVISIONS	17JUL2017	SK	MZ
		G1	REVISED PER ECR-18-006945	20SEP2018	SR	MZ




- NOTES:
- 1 MATERIAL: POLYAMIDE GLASS FILLED COLOUR NATURAL
  - 2 MATERIAL: POLYAMIDE GLASS FILLED COLOUR BLACK
  - 3 PACKAGING: SEE TE PACKAGING SPECIFICATION 107-20294
  - 4 AREA FOR AGENCY APPROVAL LOGO
  - 5 TE LOGO
  - 6 TE PART NUMBER
  - 7 CONDUCTOR SIZE AND CURRENT RATING
  - 8 N CODE
  - 9 L CODE
  - 10 PE CODE
  - 11 RATED VOLTAGE
  - 12 IP CODE
  - 13 CAVITY MOULD CODE

3D VIEWS, FOR REFERENCE ONLY



SCALE 1:1

THIS DRAWING IS A CONTROLLED DOCUMENT.		DWN M. ZUCCA 29OCT2009	 TE Connectivity	
DIMENSIONS: mm		CHK M. ZUCCA 29OCT2009		
TOLERANCES UNLESS OTHERWISE SPECIFIED:		APVD G. TURCO 29OCT2009	NAME	
0 PLC ±- 1 PLC ±0.3 2 PLC ±0.20 3 PLC ±- 4 PLC ±- ANGLES ±3°		PRODUCT SPEC 108-20304	PIN HOUSING PANEL MOUNT VERSION NECTOR* M-LINE	
MATERIAL SEE NOTES		FINISH -	APPLICATION SPEC 114-20452	RESTRICTED TO
		WEIGHT ~6.2 g	SIZE A3	CAGE CODE 00779
		Customer Drawing	DRAWING NO. C-293598	SCALE 2:1
			SHEET 1 OF 4	REV G1

THIS DRAWING IS UNPUBLISHED.

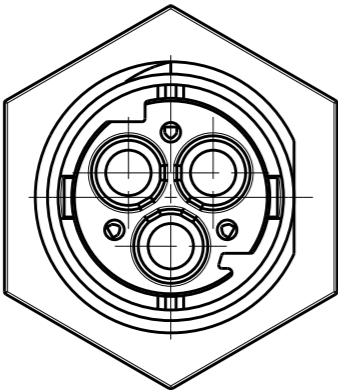
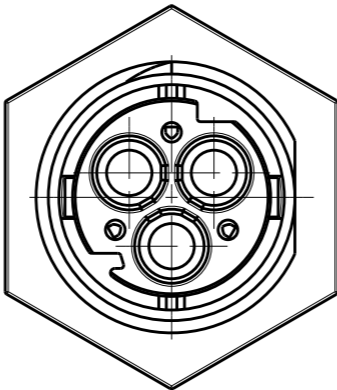
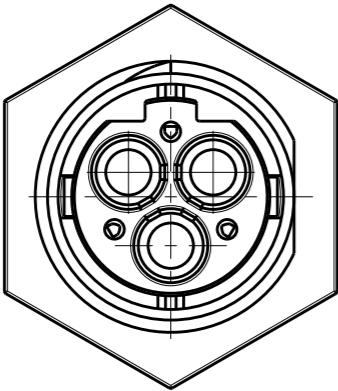
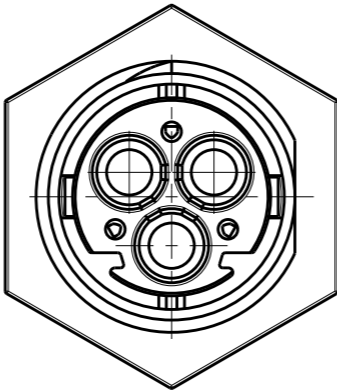
RELEASED FOR PUBLICATION

2011


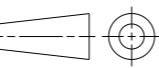
© COPYRIGHT 2011 BY -

ALL RIGHTS RESERVED.

LOC	DIST	REVISIONS			
P	LTR	DESCRIPTION	DATE	DWN	APVD
	-	SEE SHEET 1	-	-	-

PLARIZATION KEYS	
TYPE "A"	TYPE "B"
	
P/Ns: 0-293598-1, 1-293598-1, <del>2-293598-1</del>	P/Ns: 0-293598-2, 1-293598-2, <del>2-293598-2</del>
TYPE "C"	TYPE "D"
	
P/Ns: 0-293598-3, 1-293598-3, <del>2-293598-3</del>	P/Ns: <del>0-293598-4,</del> <del>1-293598-4, 2-293598-4</del>

	IP DEGREE CODE	POL. KEYING	COLOUR	MATERIAL	DESCRIPTION	REV.	PART NUMBER
OBSOLETE	67	D	BLACK	△ <sub>2</sub>	PIN HSG PANEL MOUNT VERS. NECTOR* M-LINE	A	2-293598-4
	67	C	BLACK	△ <sub>2</sub>	PIN HSG PANEL MOUNT VERS. NECTOR* M-LINE	D	2-293598-3
	67	B	BLACK	△ <sub>2</sub>	PIN HSG PANEL MOUNT VERS. NECTOR* M-LINE	D	2-293598-2
	67	A	BLACK	△ <sub>2</sub>	PIN HSG PANEL MOUNT VERS. NECTOR* M-LINE	D	2-293598-1
OBSOLETE	40	D	BLACK	△ <sub>2</sub>	PIN HSG PANEL MOUNT VERS. NECTOR* M-LINE	G	1-293598-4
	40	C	BLACK	△ <sub>2</sub>	PIN HSG PANEL MOUNT VERS. NECTOR* M-LINE	G	1-293598-3
	40	B	BLACK	△ <sub>2</sub>	PIN HSG PANEL MOUNT VERS. NECTOR* M-LINE	G	1-293598-2
	40	A	BLACK	△ <sub>2</sub>	PIN HSG PANEL MOUNT VERS. NECTOR* M-LINE	G	1-293598-1
	40	D	NATURAL	△ <sub>1</sub>	PIN HSG PANEL MOUNT VERS. NECTOR* M-LINE	G	0-293598-4
	40	C	NATURAL	△ <sub>1</sub>	PIN HSG PANEL MOUNT VERS. NECTOR* M-LINE	G	0-293598-3
	40	B	NATURAL	△ <sub>1</sub>	PIN HSG PANEL MOUNT VERS. NECTOR* M-LINE	G	0-293598-2
	40	A	NATURAL	△ <sub>1</sub>	PIN HSG PANEL MOUNT VERS. NECTOR* M-LINE	G	0-293598-1

THIS DRAWING IS A CONTROLLED DOCUMENT.		DWN M. ZUCCA 29OCT2009	 TE Connectivity				
DIMENSIONS: mm		CHK M. ZUCCA 29OCT2009			NAME PIN HOUSING PANEL MOUNT VERSION NECTOR* M-LINE		
TOLERANCES UNLESS OTHERWISE SPECIFIED:		APVD G. TURCO 29OCT2009					
		PRODUCT SPEC 108-20304	SIZE A3	CAGE CODE 00779	DRAWING NO C-293598	RESTRICTED TO -	
MATERIAL SEE NOTES		APPLICATION SPEC 114-20452	SCALE 2:1		SHEET 2	OF 4	REV G1
		WEIGHT ~6.2 g	Customer Drawing				

4

3

2

1

THIS DRAWING IS UNPUBLISHED.

RELEASED FOR PUBLICATION

2011

© COPYRIGHT 2011 BY -

ALL RIGHTS RESERVED.

LOC	DIST	REVISIONS					
		P	LTR	DESCRIPTION	DATE	DWN	APVD
1	-	-	-	SEE SHEET 1	-	-	-

PANEL / WALL

26.2

7.0

1.5-4.0

PANEL / WALL  
SUGGESTED CUT OUT

$\varnothing 18.00^{+0.20}$

$8.30^{+0.20}$

THIS DRAWING IS A CONTROLLED DOCUMENT.

DWN M. ZUCCA 29OCT2009

CHK M. ZUCCA 29OCT2009

APVD G. TURCO 29OCT2009

PRODUCT SPEC 108-20304

APPLICATION SPEC 114-20452

WEIGHT ~6.2 g

Customer Drawing

TE Connectivity

NAME  
PIN HOUSING  
PANEL MOUNT VERSION  
NECTOR\* M-LINE

SIZE	CAGE CODE	DRAWING NO	RESTRICTED TO
------	-----------	------------	---------------

A300779	C=293598		
---------	----------	--	--

SCALE 2:1	SHEET 3 OF 4	REV G1
-----------	--------------	--------

DIMENSIONS:  
mmTOLERANCES UNLESS  
OTHERWISE SPECIFIED:

0 PLC	±
1 PLC	±0.3
2 PLC	±0.20
3 PLC	±
4 PLC	±
ANGLES	±3°

MATERIAL SEE NOTES

FINISH -

1470-19 (3/11)

Downloaded From [Onevac.com](http://Onevac.com)

THIS DRAWING IS UNPUBLISHED.

RELEASED FOR PUBLICATION

2011

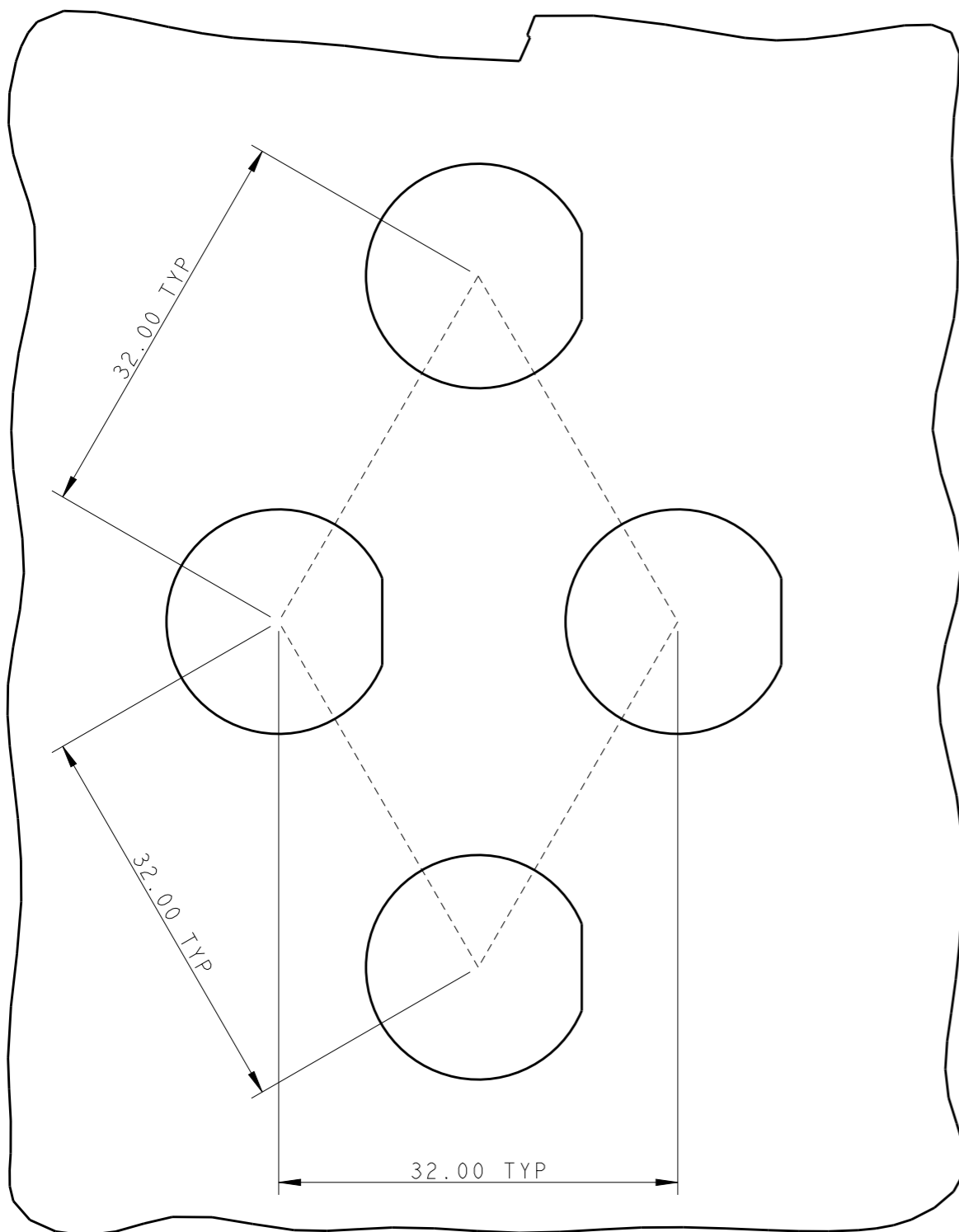
© COPYRIGHT 2011 BY -

ALL RIGHTS RESERVED.

LOC	DIST	REVISIONS			
P	LTR	DESCRIPTION	DATE	DWN	APVD
	-	SEE SHEET 1	-	-	-

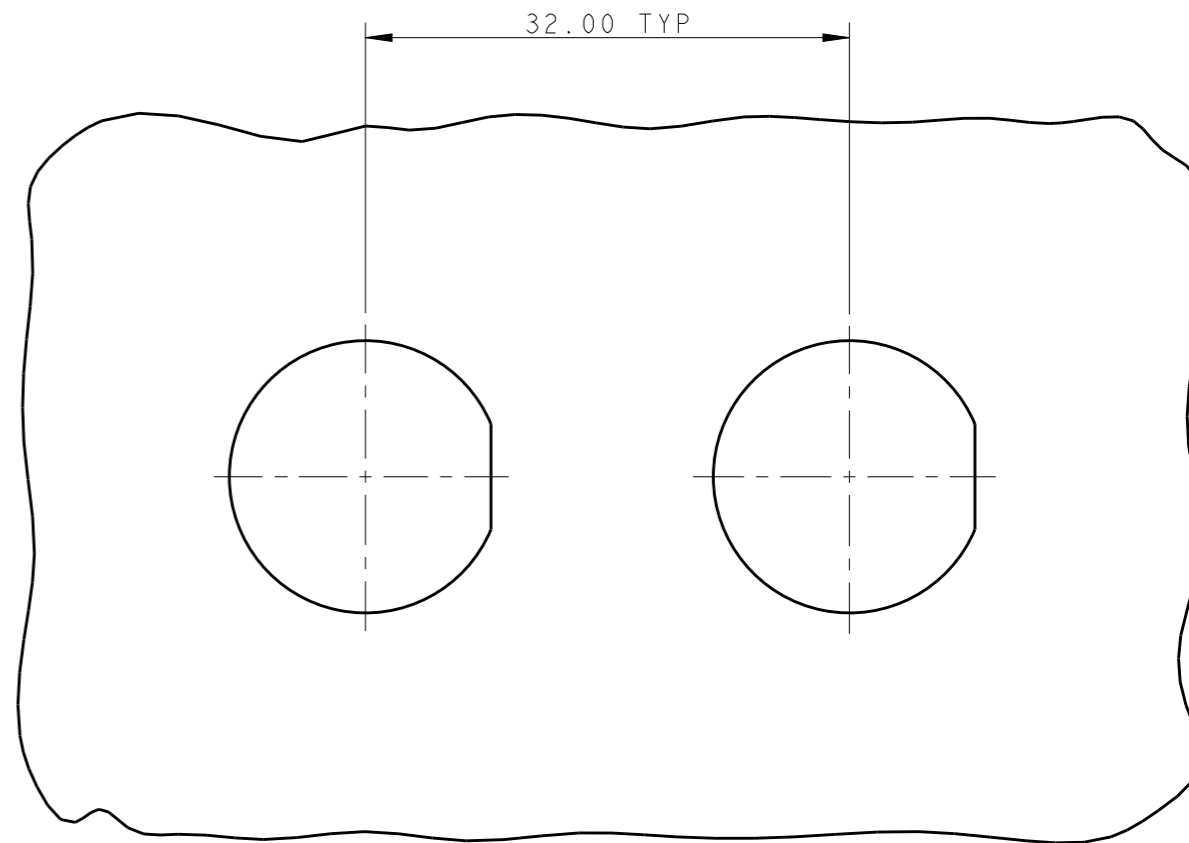
PANEL / WALL  
SUGGESTED CUT OUT FOR  
MULTIPLE HOLES ON MULTIPLE ROWS


(PITCH CAN BE ADJUSTED TO CUSTOMER  
 NEED BUT IN ANY CASE MUST NOT BE LESS  
 THAN 30.00 mm)



PANEL / WALL  
SUGGESTED CUT OUT FOR  
MULTIPLE HOLES ON SINGLE ROW

(PITCH CAN BE ADJUSTED TO CUSTOMER  
 NEED BUT IN ANY CASE MUST NOT BE LESS  
 THAN 30.00 mm)



THIS DRAWING IS A CONTROLLED DOCUMENT.		DWN M. ZUCCA 29OCT2009	 TE Connectivity		
DIMENSIONS: mm		CHK M. ZUCCA 29OCT2009			
TOLERANCES UNLESS OTHERWISE SPECIFIED:		APVD G. TURCO 29OCT2009	NAME PIN HOUSING PANEL MOUNT VERSION NECTOR* M-LINE		
0 PLC ± 1 PLC ±0.3 2 PLC ±0.20 3 PLC ± 4 PLC ± ANGLES ±3°		PRODUCT SPEC 108-20304	RESTRICTED TO		
MATERIAL SEE NOTES		APPLICATION SPEC 114-20452	SIZE A3	CAGE CODE 00779	DRAWING NO C-293598
FINISH -		WEIGHT ~6.2 g	SCALE 2:1		
		Customer Drawing	SHEET 4 OF 4		
			REV G1		

单击下面可查看定价，库存，交付和生命周期等信息

[>>TE Connectivity\(泰科\)](#)