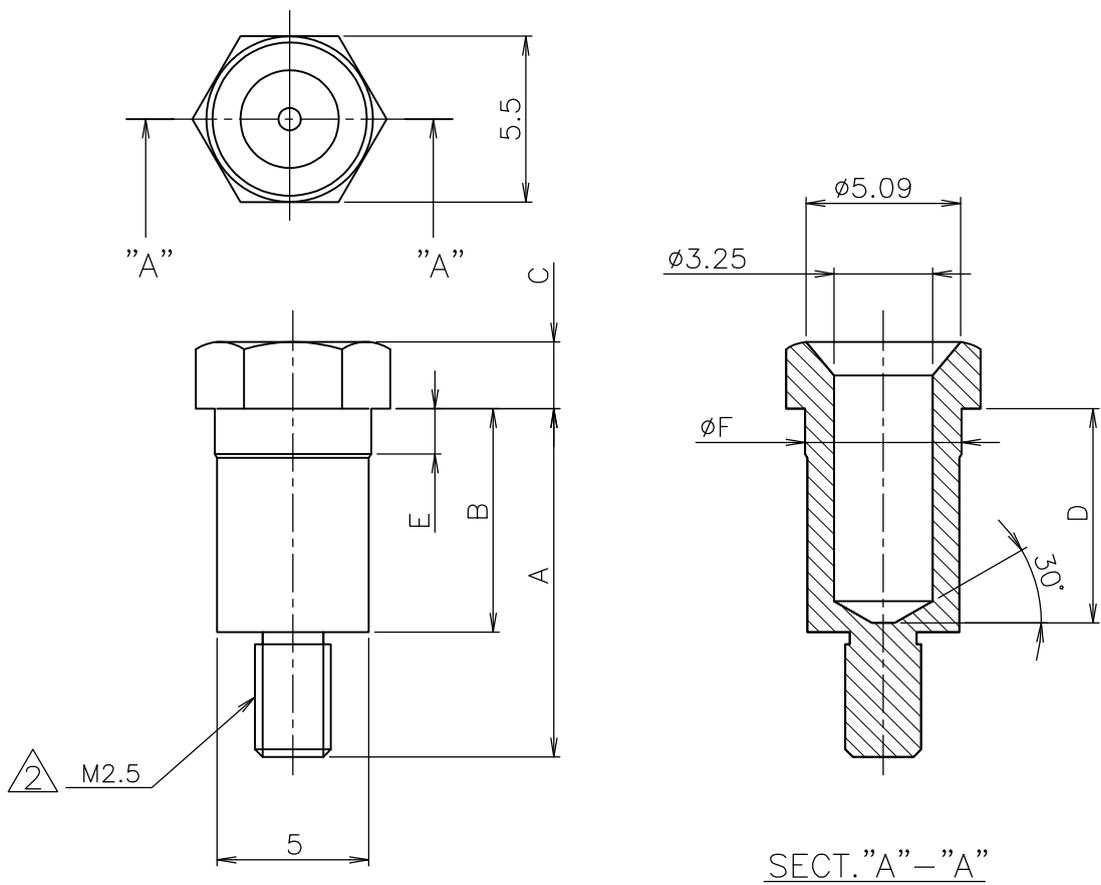


LOC J	DIST	REVISIONS 変更					
		P	LTR	DESCRIPTION	DATE	DWN	APVD
			C	REVISED&REDRAWN FJ00-2475-02	02DEC'02	S.A	Y.Y
			C1	REVISED PER ECO-09-024717	04NOV09	KK	AEG



- 注記
- 材料及び仕上：黄銅、ニッケルメッキ
 - ねじ部先端を除き、ゆるみ止め材料塗布

- NOTE (ロックタイト DRI-LOC 202, 203 相当)
- MATERIAL AND FINISH : BRASS, Ni PLATE
 - THREAD LOCKING MATERIAL APPLIED EXCEPT FOR THREAD TIP AREA. (EQUIVALENT LOCTITE DRI-COC 202,203)
 - OBSELETE PARTS: OBSELETE CIS STREAMLINING PER D.RENAUD/D.SINISI

	---	---	7.1	2.22	7.4	11.54	5-177728-1	3
MAKE FROM -2	5.15	1.5	6.3	3.02	6.6	10.74	2-177728-2	3
	5.15	1.5	6.3	3.02	6.6	10.74	177728-2	
	5.15	1.5	7.1	2.22	7.4	11.54	177728-1	
REMARKS	F	E	D	C	B	A	P/N	

DIMENSIONS: 単位：耗 MM	DWN S.ABE	29NOV2002	MATERIAL 材料	SEE NOTE	FINISH 仕上	SEE NOTE
	CHK Y.YAMAMOTO	02DEC2002	Tyco Electronics AMP K.K. Kawasaki, Japan			
TOLERANCES UNLESS OTHERWISE SPECIFIED: 一般公差	APVD Y.YAMAMOTO	02DEC2002				
0 PLC ± 0.25	PRODUCT SPEC 製品規格		NAME 名称			
1 PLC ± 0.25	APPLICATION SPEC 取付適用規格		GUIDE SOCKET FOR AMP DOCKING CONNECTOR			
2 PLC ± 0.25			SIZE	CAGE CODE	DRAWING NO 番号	RESTRICTED TO
3 PLC ±	WEIGHT		A4	00779	C-177728	—
4 PLC ±	CUSTOMER DRAWING		SCALE 尺度	4:1	SHEET 1 OF 1	REV C1
ANGLES ± 3'	AMP 1469-35 REV 31MAR2000		Downloaded From Oneyac.com			

THIS DRAWING IS UNPUBLISHED. ALL RIGHTS RESERVED. BY TYCO ELECTRONICS CORPORATION. COPYRIGHT 1993

单击下面可查看定价，库存，交付和生命周期等信息

[>>TE Connectivity\(泰科\)](#)