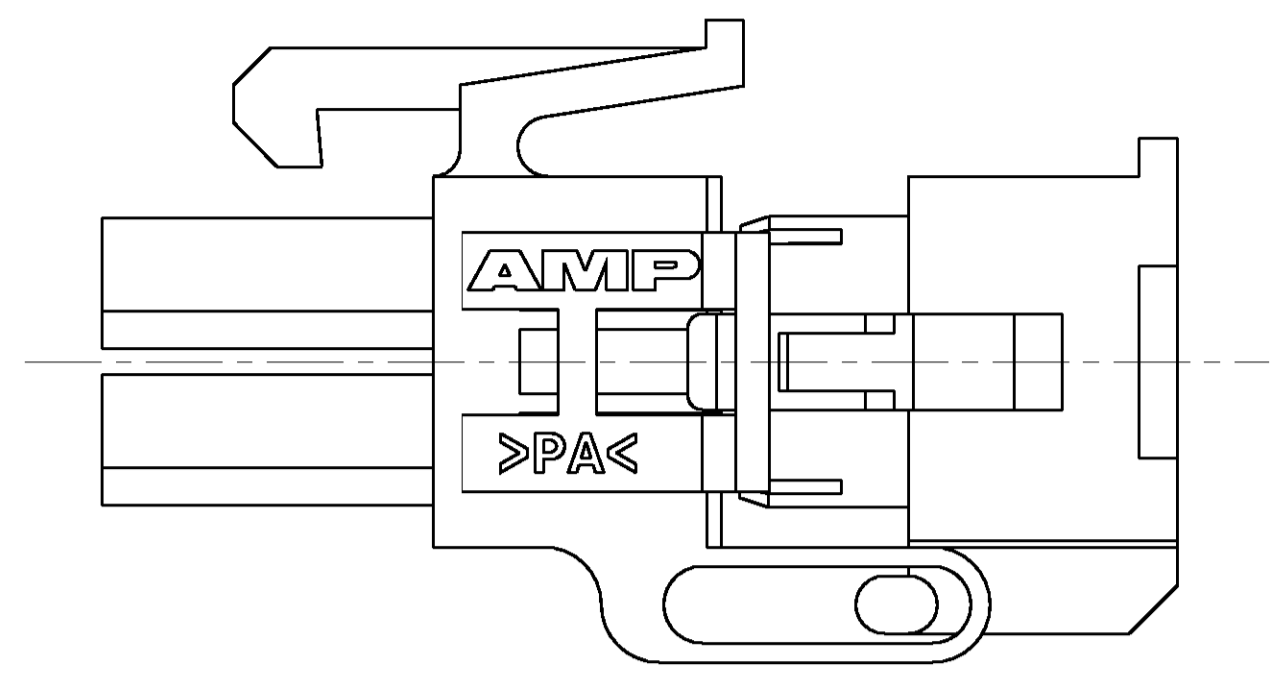
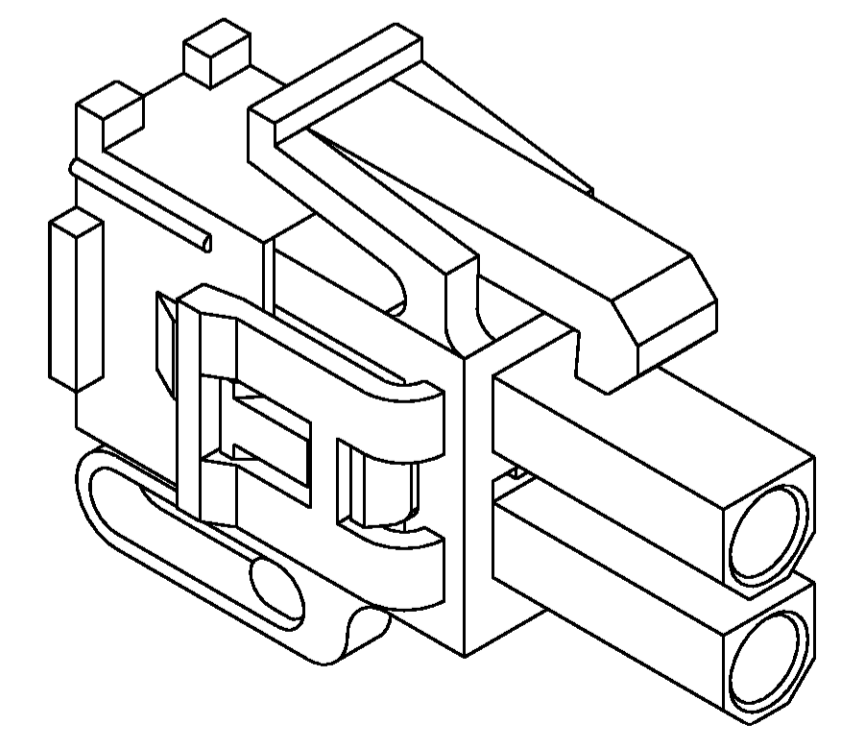
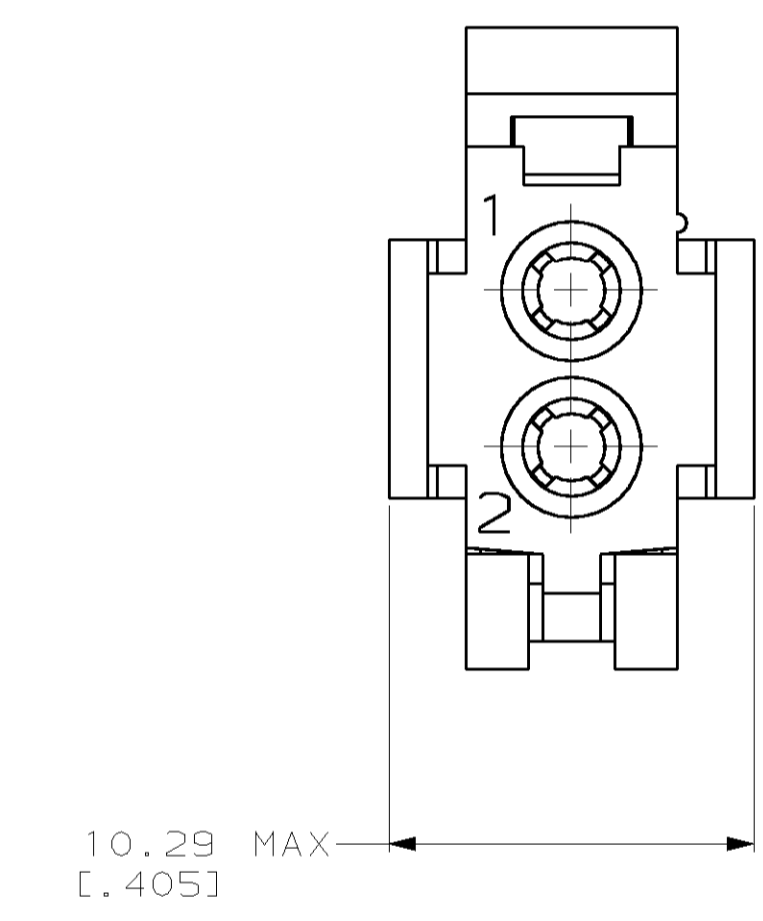
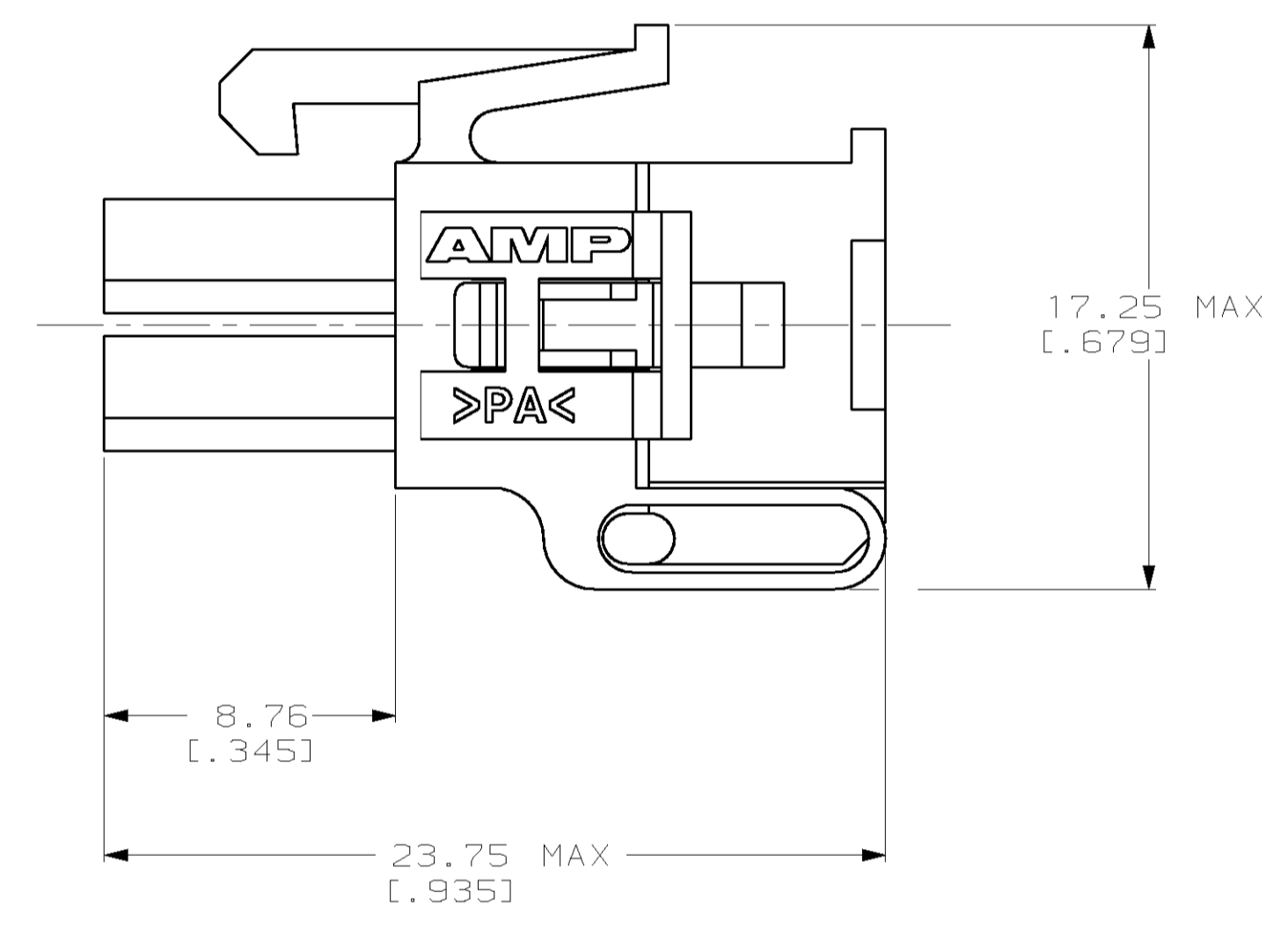
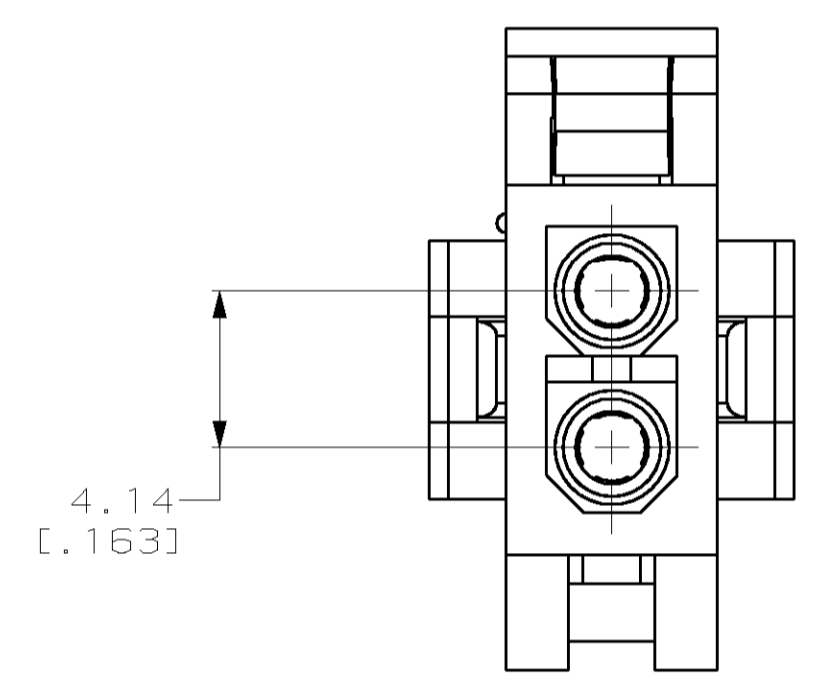


LOC		DIST		REVISONS			
F	CHR	DATE	BY	APVD	DESCRIPTION	DATE	BY
C		23-SEP-99	KW	KC	REV PER EC 061B-0094-99		



PRE-STAGED CONDITION

1. DIMENSIONS IN BRACKETS ARE IN INCHES.



3-DIMENSIONAL MODEL
NTS

794237-1
PART NUMBER



THIS DRAWING IS A CONTROLLED DOCUMENT.		DWN K. WHITAKER	5-09-97	AMP AMP Incorporated Harrisburg, PA 17105-3608
		CHK R. SWING	5-09-97	
DIMENSIONS:		APVD R. ORSTAD	5-09-97	NAME PLUG, 2 CIRCUIT, MINI UNIVERSAL MATE-N-LOK™ 2
mm	TOLERANCES UNLESS OTHERWISE SPECIFIED:	PRODUCT SPEC		SIZE A1
	0 PLC ±	APPLICATION SPEC		CAGE CODE 00779
	1 PLC ±			DRAWING NO C-794237
	2 PLC ±0.13 [0.005]			RESTRICTED TO
	3 PLC ±			
	4 PLC ±			
	ANGLES ±			
MATERIAL NYLON, UL 94V-2,NATURAL	FINISH -	WEIGHT -		CUSTOMER DRAWING
			SCALE 5:1	SHEET 1 OF 1
			REV C	

单击下面可查看定价，库存，交付和生命周期等信息

[>>TE Connectivity\(泰科\)](#)