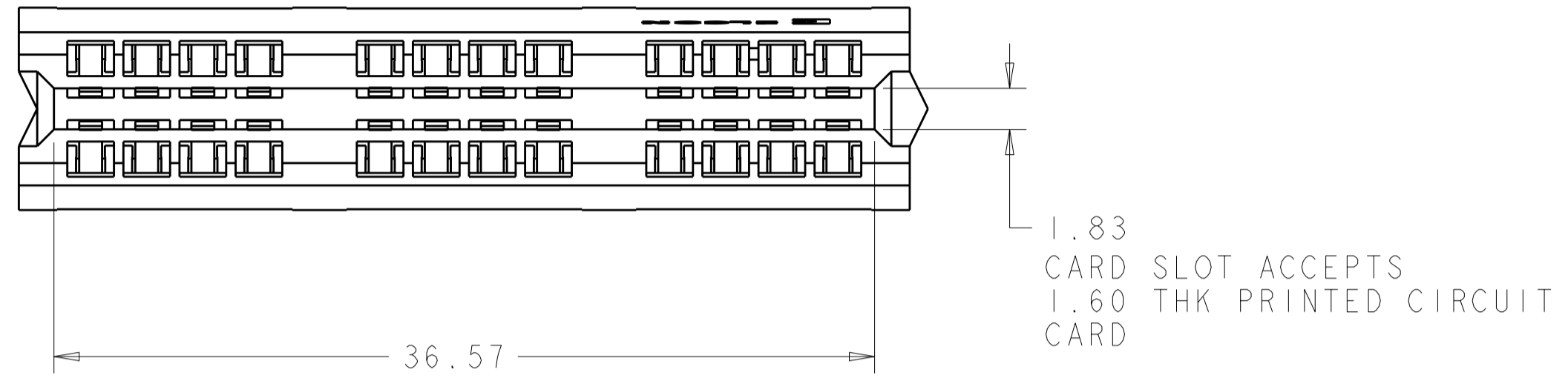


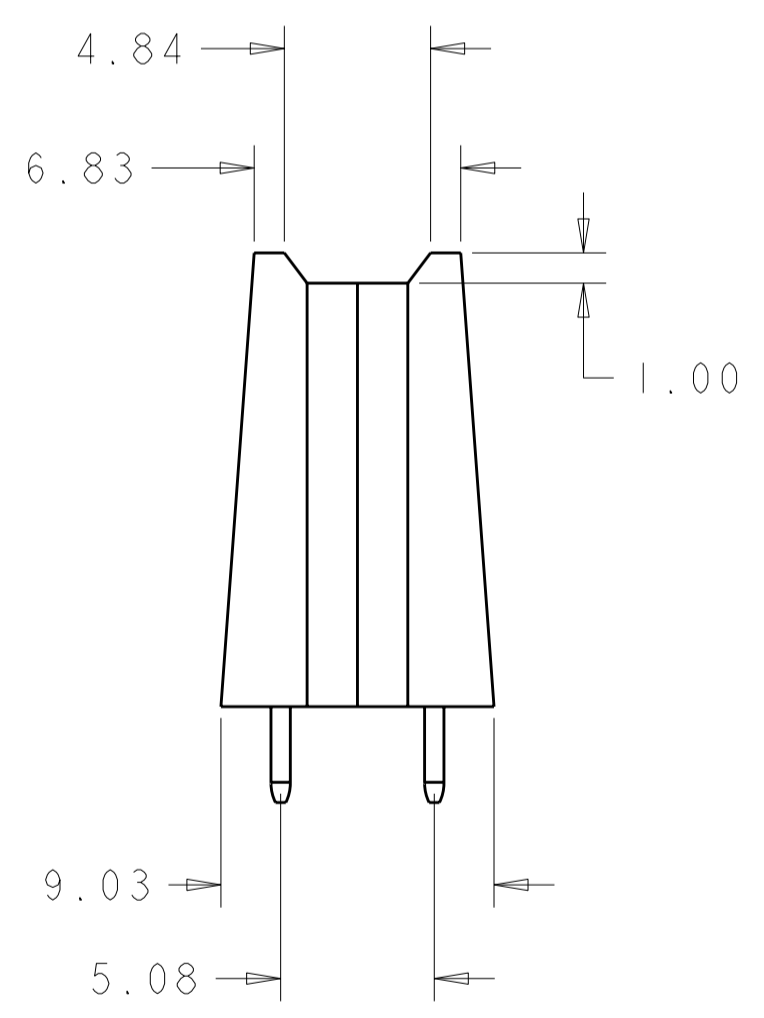
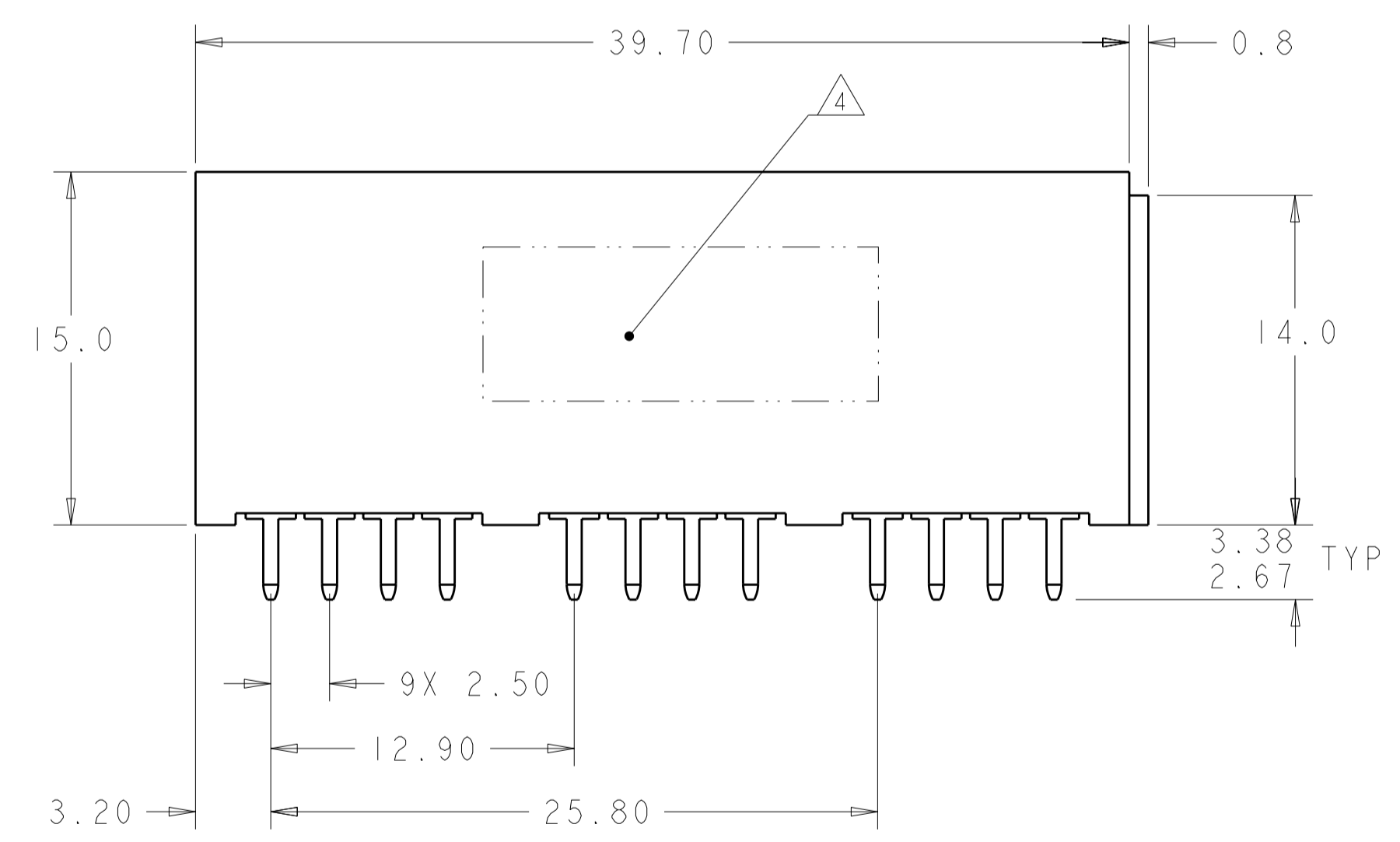
THIS DRAWING IS UNPUBLISHED. RELEASED FOR PUBLICATION 20
 © COPYRIGHT 20 BY TYCO ELECTRONICS CORPORATION. ALL RIGHTS RESERVED.

LOC	DIST	REVISIONS			
P	LTR	DESCRIPTION	DATE	DWN	APVD
GP	00	A	RELEASED	14JAN2010	RG MS



- ① DATUMS AND BASIC DIMENSIONS ESTABLISHED BY CUSTOMER
- ② MATERIAL:
INSULATORS - THERMOPLASTIC, GLASS REINFORCED, COLOR: BLACK
UL94V-0 FLAMMABILITY RATED.
SIGNAL CONTACTS - PHOSPHOR BRONZE ALLOY
- ③ FINISH:
CONTACTS - GOLD PLATE 0.76µM MIN. THK. OVER
NICKEL 1.27µM MIN. THK.
SOLDER TAILS - TIN 3.05µM MIN. THK. OVER
NICKEL 1.27µM MIN THK.
- ④ ITEMS PROVIDED TO THIS SPECIFICATION TO BE PERMANENTLY IDENTIFIED PER THE FOLLOWING IDENTIFIER LABEL

TYCO ELECTRONICS P/N DATE CODE (e.g. 0106)
 XXXXXXXX-X XXXX

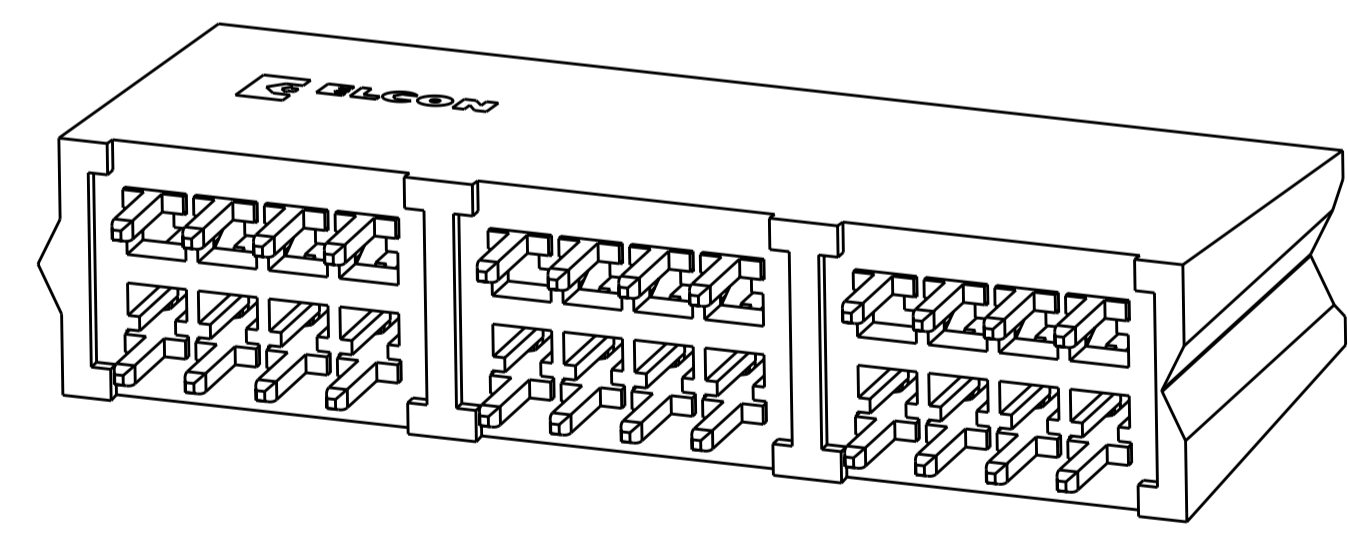
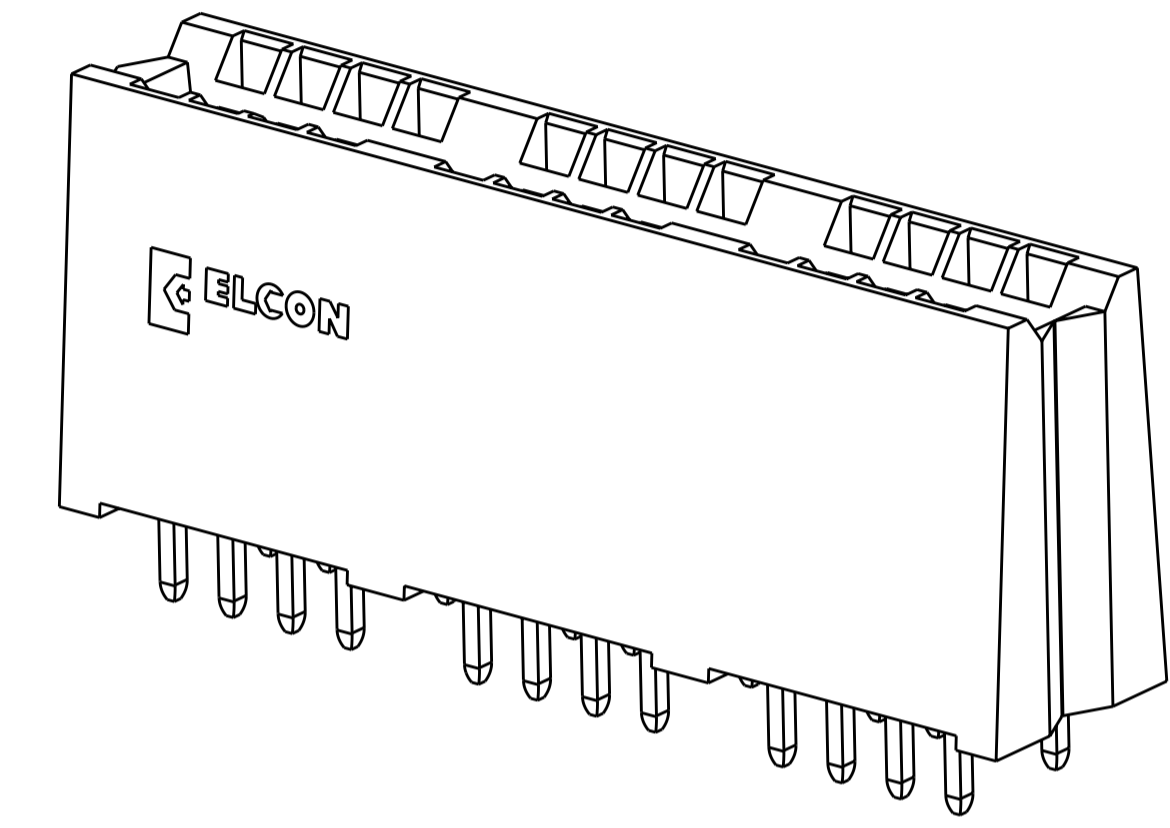
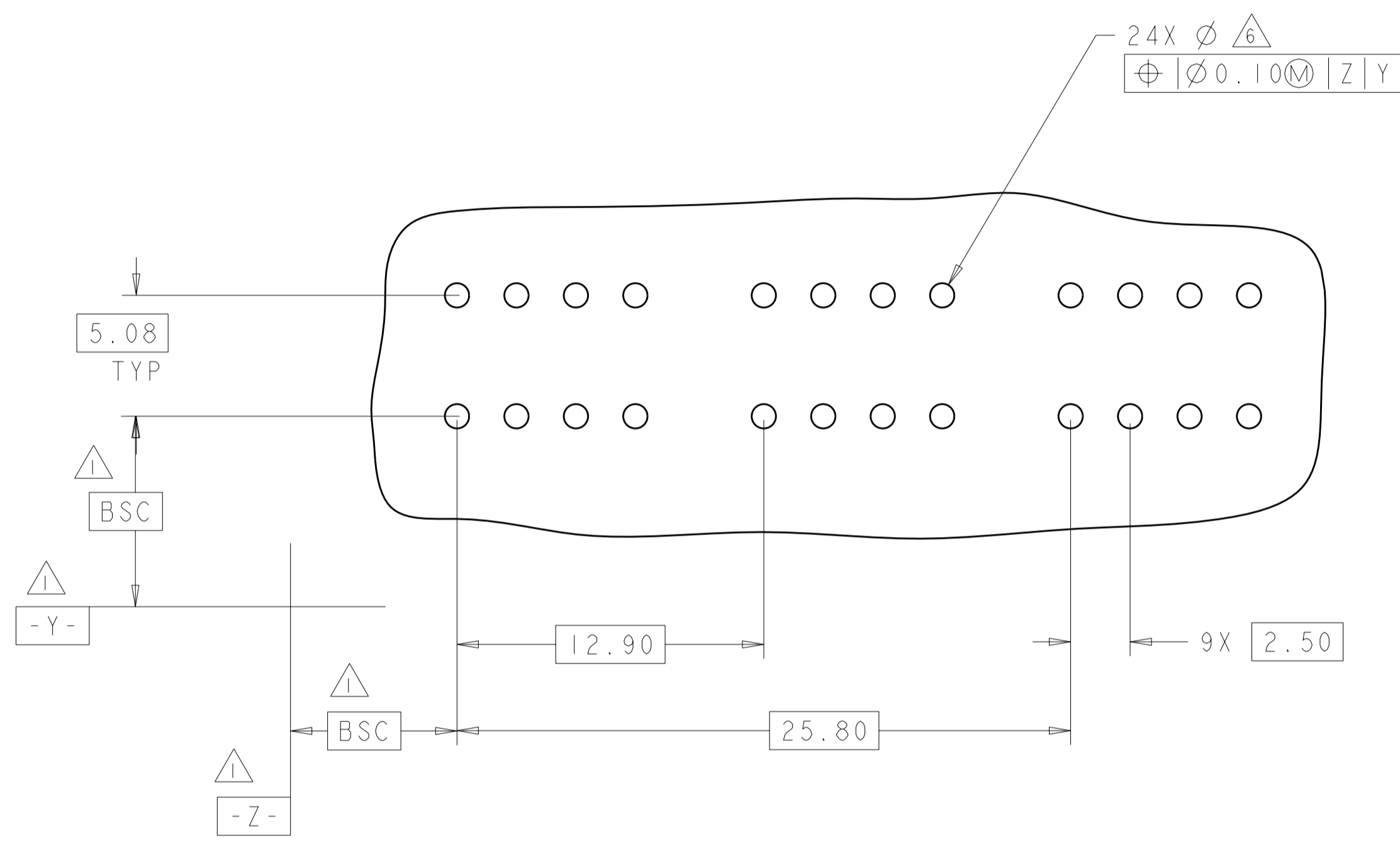


AS SHOWN	6651214-1
DESCRIPTION	PART NUMBER

THIS DRAWING IS A CONTROLLED DOCUMENT FOR TYCO ELECTRONICS CORPORATION IT IS SUBJECT TO CHANGE AND THE CONTROLLING ENGINEERING ORGANIZATION SHOULD BE CONTACTED FOR THE LATEST REVISION.		DWN R. GRZYBOWSKI 29DEC2009	Tyco Electronics Harrisburg, PA 17105-3608	
DIMENSIONS: mm		CHK M. SYKES 29DEC2009	NAME SOCKET CONNECTOR ASSEMBLY, STRAIGHT 3 SEG, 20 SIGNAL, SOLDER TAIL CROWNEDGE	
TOLERANCES UNLESS OTHERWISE SPECIFIED: 0 PLC ±.5 1 PLC ±.5 2 PLC ±.25 3 PLC ±. 4 PLC ±. ANGLES ±5		APVD M. PERCHERKE 29DEC2009	PRODUCT SPEC -	RESTRICTED TO -
MATERIAL		APPLICATION SPEC -	WEIGHT -	SIZE A2
② -		③ -		CAGE CODE A200779
CUSTOMER DRAWING		DRAWING NO 6651214		SCALE 4:1
		SHEET 1 OF 3		REV A

THIS DRAWING IS UNPUBLISHED. RELEASED FOR PUBLICATION 20
 © COPYRIGHT 20 BY TYCO ELECTRONICS CORPORATION. ALL RIGHTS RESERVED.

LOC	DIST	REVISIONS				
P	LTR	DESCRIPTION	DATE	DWN	APVD	
GP	00	-	SEE SHEET 1	-	-	

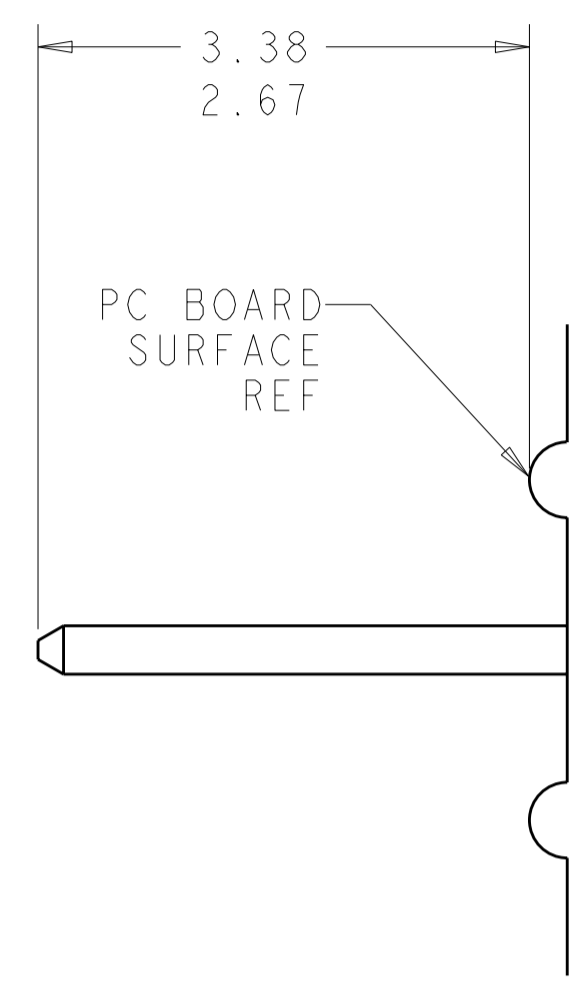


RECOMMENDED P.C. BOARD LAYOUT

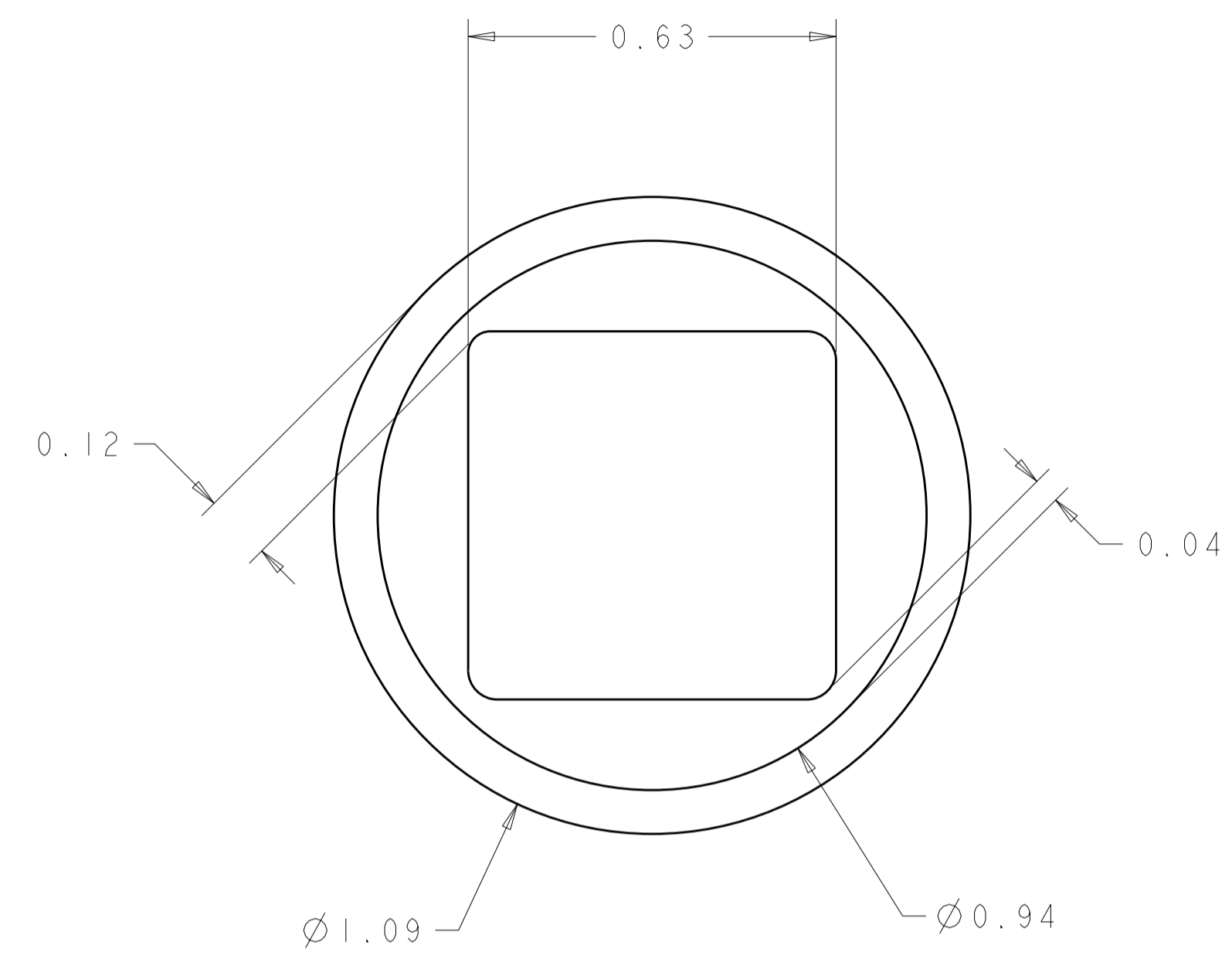
<small>THIS DRAWING IS A CONTROLLED DOCUMENT FOR TYCO ELECTRONICS CORPORATION IT IS SUBJECT TO CHANGE AND THE CONTROLLING ENGINEERING ORGANIZATION SHOULD BE CONTACTED FOR THE LATEST REVISION.</small>		DWN R.GRZYBOWSKI 29DEC2009 CHK M.SYKES 29DEC2009 APVD M.PERCHEK 29DEC2009	Tyco Electronics Harrisburg, PA 17105-3608
DIMENSIONS: mm 	TOLERANCES UNLESS OTHERWISE SPECIFIED: 0 PLC ±.5 1 PLC ±.5 2 PLC ±.25 3 PLC ±. 4 PLC ±. ANGLES ±5 FINISH	PRODUCT SPEC - APPLICATION SPEC - WEIGHT -	NAME SOCKET CONNECTOR ASSEMBLY, STRAIGHT 3 SEG, 20 SIGNAL, SOLDER TAIL CROWNEDGE SIZE A200779 CAGE CODE C-6651214 DRAWING NO. 6651214 RESTRICTED TO -
MATERIAL		CUSTOMER DRAWING	SCALE 4:1 SHEET 2 OF 3 REV A

THIS DRAWING IS UNPUBLISHED. RELEASED FOR PUBLICATION 20
 © COPYRIGHT 20 BY TYCO ELECTRONICS CORPORATION. ALL RIGHTS RESERVED.

LOC	DIST	REVISIONS			
P	LTR	DESCRIPTION	DATE	DWN	APVD
GP	00	-	SEE SHEET 1	-	-



5. SOLDER TAIL DETAIL
SCALE 10 : 1



△ SOLDER TERMINATION AREA
 SCALE 40:1
 RECOMMENDED PRINTED CIRCUIT HOLE
 SOLDER HOLE
 FINISHED HOLE: Ø1.02 ±.08
 DRILLED HOLE: Ø1.15 ±.013
 COPPER PLATE: .025 MIN. (PER SURFACE)
 TIN PLATE: .008 MIN. (PER SURFACE)

THIS DRAWING IS A CONTROLLED DOCUMENT FOR TYCO ELECTRONICS CORPORATION IT IS SUBJECT TO CHANGE AND THE CONTROLLING ENGINEERING ORGANIZATION SHOULD BE CONTACTED FOR THE LATEST REVISION.		DWN R. GRZYBOWSKI 29DEC2009	Tyco Electronics Harrisburg, PA 17105-3608	
DIMENSIONS: mm		CHK M. SYKES 29DEC2009	NAME SOCKET CONNECTOR ASSEMBLY, STRAIGHT 3 SEG, 20 SIGNAL, SOLDER TAIL CROWNEDGE	
TOLERANCES UNLESS OTHERWISE SPECIFIED: 0 PLC ±.5 1 PLC ±.5 2 PLC ±.25 3 PLC ±. 4 PLC ±. ANGLES ±5 FINISH		APVD M. PERCHERKE 29DEC2009	PRODUCT SPEC -	RESTRICTED TO -
MATERIAL -		APPLICATION SPEC -	WEIGHT -	SIZE A200779
		CUSTOMER DRAWING	SCALE 4:1	DRAWING NO. C-6651214
			SHEET 3 OF 3	REV A

单击下面可查看定价，库存，交付和生命周期等信息

[>>TE Connectivity\(泰科\)](#)