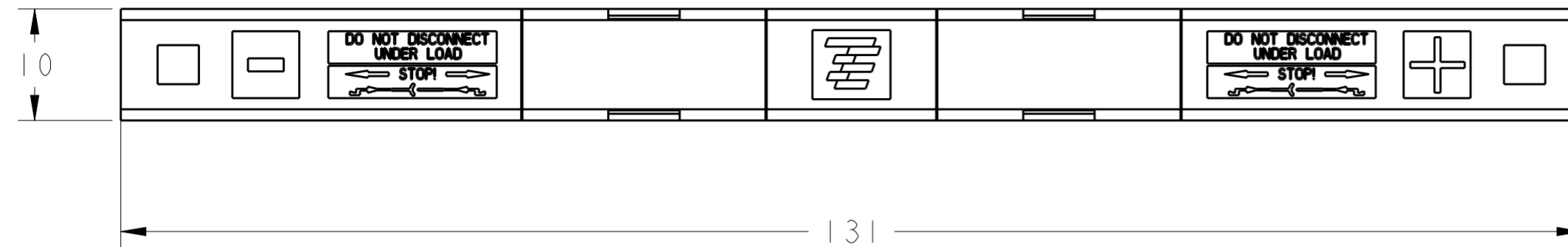
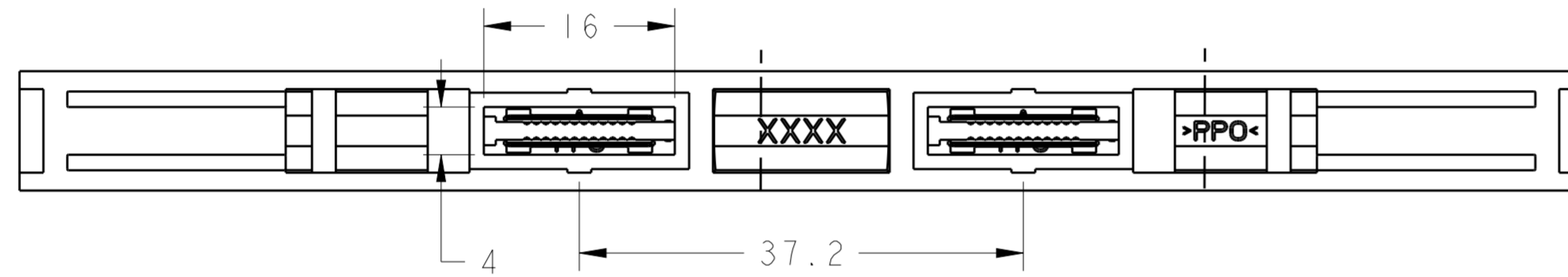
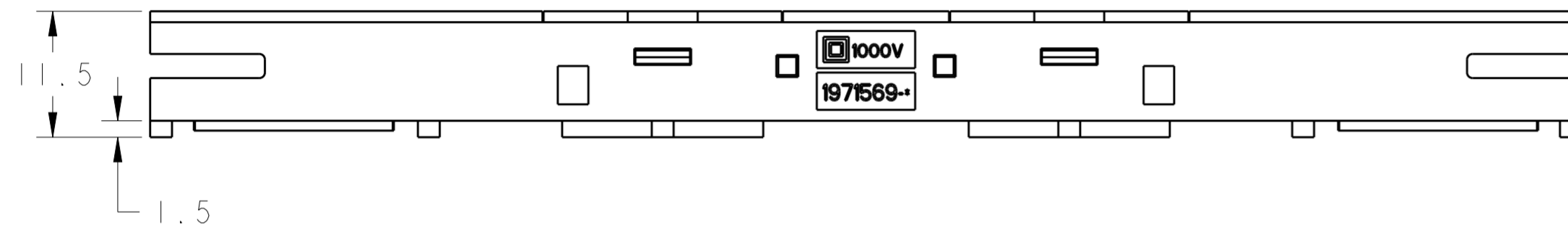


THIS DRAWING IS UNPUBLISHED. RELEASED FOR PUBLICATION 20  
 © COPYRIGHT 20 BY - ALL RIGHTS RESERVED.

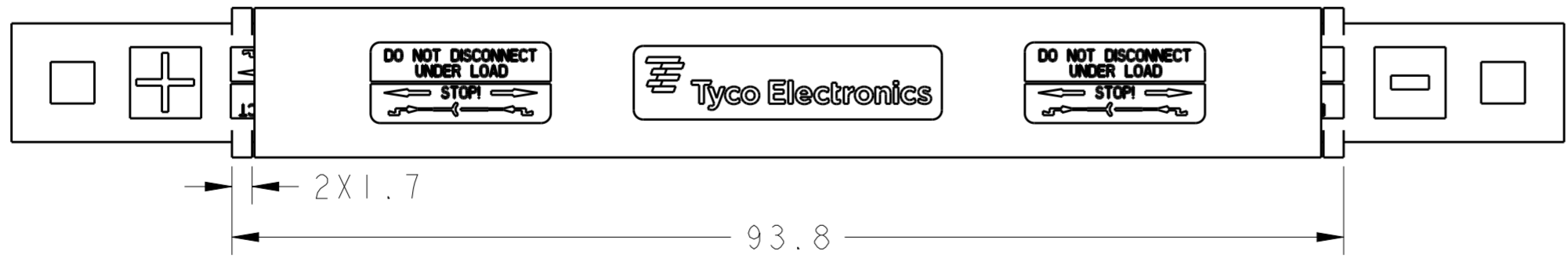
LOC		DIST		REVISIONS			
P	LTR	DESCRIPTION	DATE	DWN	APVD		
	A8	ECR-13-003199	20FEB2013	LW	PY		
	B	ECR-17-016683	03JAN2018	FF	MS		



- NOTE
- FOR 1971569-1&-2, THE CONNECTION OF THE FOIL AND THE CONTACT IS CLAMPING WITH O-RING(OPTION POTTING MAY APPLY FOR WELDING OR SOLDERING FOIL TO CONTACT)
  - FOR 1971569-3&-4, THE CONNECTION OF THE FOIL AND THE CONTACT IS CLAMPING WITH O-RING(NO POTTING IS REQUIRED)
  - FOR 1971569-5&-6, THE CONNECTION OF THE FOIL AND THE CONTACT IS WELDING OR SOLDERING(POTTING IS REQUIRED)
  - THIS IS PRODUCT FOR BIPV, USING AT THE EDGE OF THE SOLAR PANEL
  - TWO CLASS: 11A FOR CRYSTALLINE, 3A FOR THIN FILM
  - RECOMMEND RIBBIN: WIDTH<=8mm THICKNESS<=0.5mm THE RIBBIN SHOULD BE BENDING BACK. IF THE THICKNESS>0.5mm, THE RIBBIN SHOULD NOT BE BENDING
  - THE POTTING VOLUME IS ABOUT 0.6ML AND TWO AREAS OF ONE STRADDLE EDGE JUNCTION BOX WILL NEED ABOUT 1.2ML
  - ALL THE COMPONENTS ARE PACKAGED SEPARATELY



-1, -2 as shown

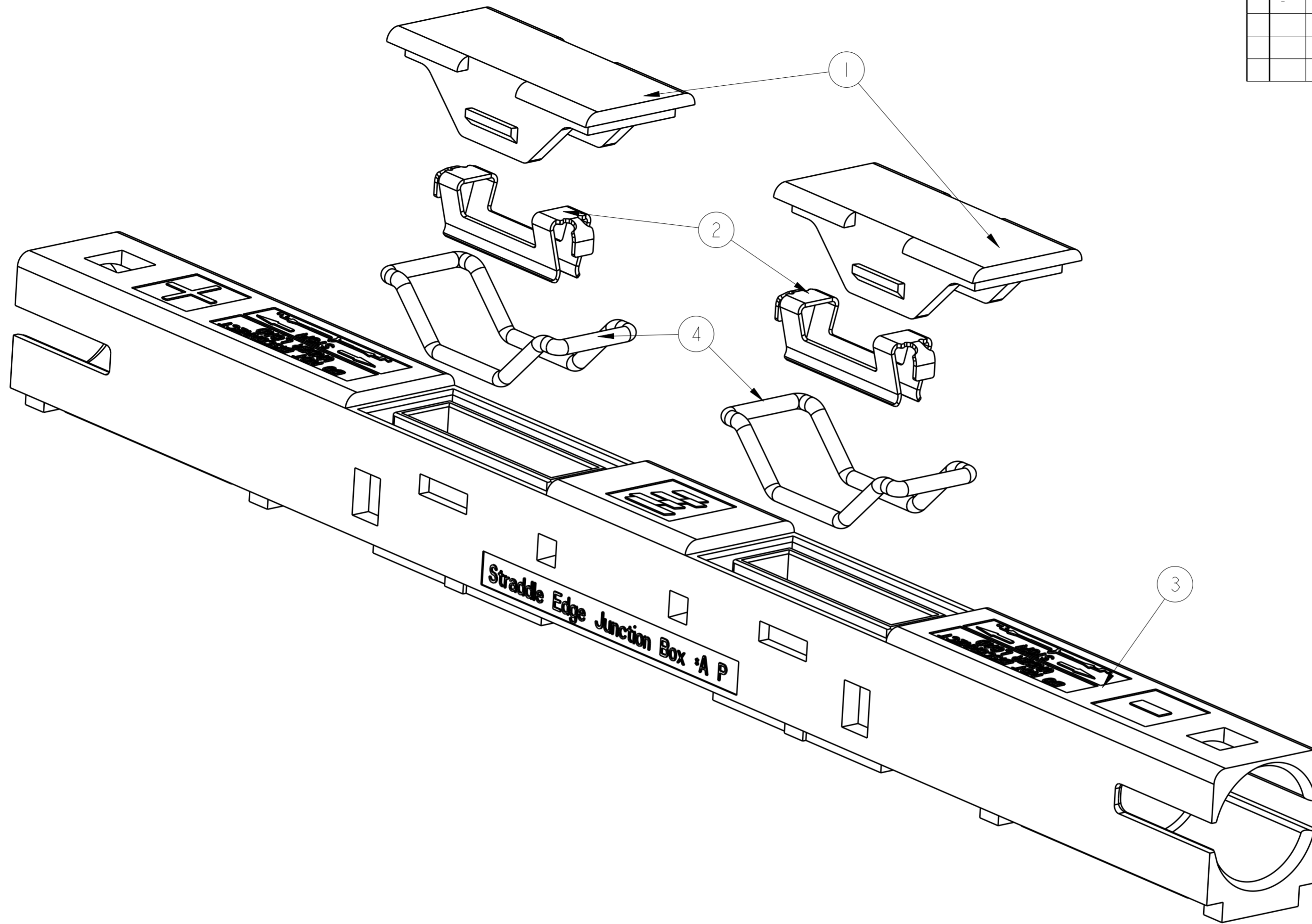


The other dimension is the same as -1 and -2

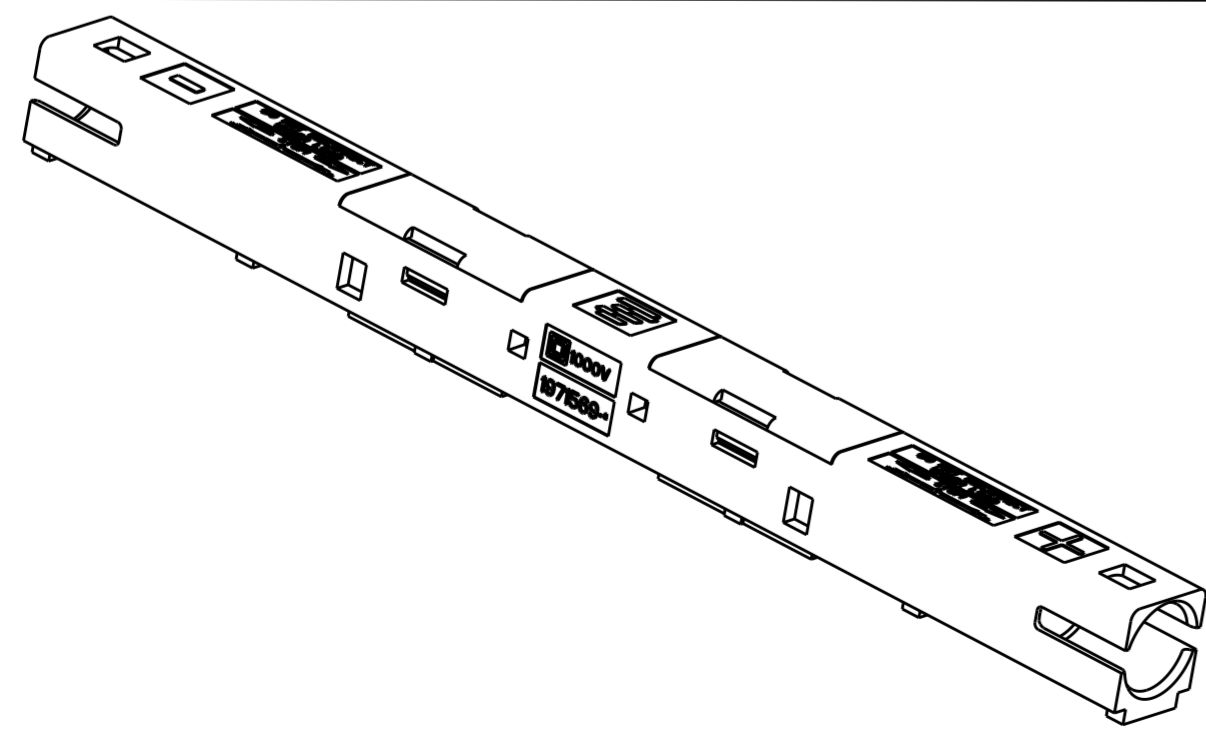
THIS DRAWING IS A CONTROLLED DOCUMENT.		DWN 03JAN2018 FRANK FAN	<b>STE</b> TE Connectivity	
DIMENSIONS: mm		CHK 03JAN2018 ALEX ZHANG		
TOLERANCES UNLESS OTHERWISE SPECIFIED:		APVD 03JAN2018 MING SHI	NAME STRADDLE EDGE CONNECTOR ASSY	
0 PLC ±0.5		PRODUCT SPEC	108-106018	
1 PLC ±0.5		APPLICATION SPEC	114-106001	
2 PLC ±0.13		WEIGHT	-	
3 PLC ±		SCALE	A200779 C-1971569	
4 PLC ±		RESTRICTED TO	-	
ANGLES ±		Customer Drawing	SCALE 4:1 SHEET 1 OF 4 REV B	
FINISH ±				

THIS DRAWING IS UNPUBLISHED. RELEASED FOR PUBLICATION 20  
 © COPYRIGHT 20 BY - ALL RIGHTS RESERVED.

LOC	DIST	REVISIONS			
P	LTR	DESCRIPTION	DATE	DWN	APVD
-	-	SEE SHEET 1	-	-	-



**OBSOLETE**



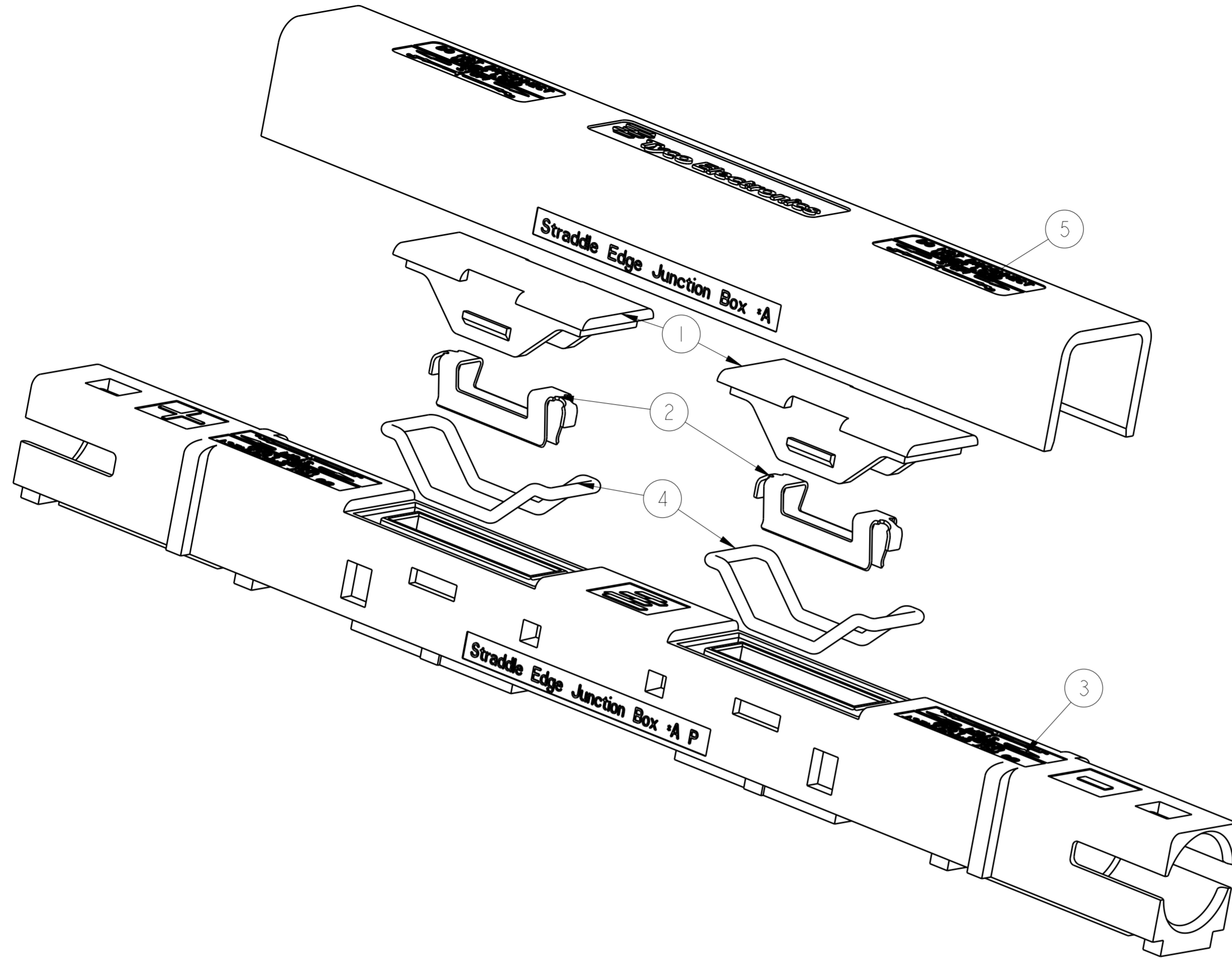
-1, -2 as shown

QTY	QTY	PART NO.	DESCRIPTION	ITEM NO.
2	2	1971144-1	O-RING	4
1	-	1971122-2	EDGE HSG ASSY(DIODE:6A10S)	3
-	1	1971122-1	EDGE HSG ASSY(DIODE:SBH 1540S)	
2	2	1971145-1	CLAMP SPRING	2
2	2	1971143-1	COVER	1

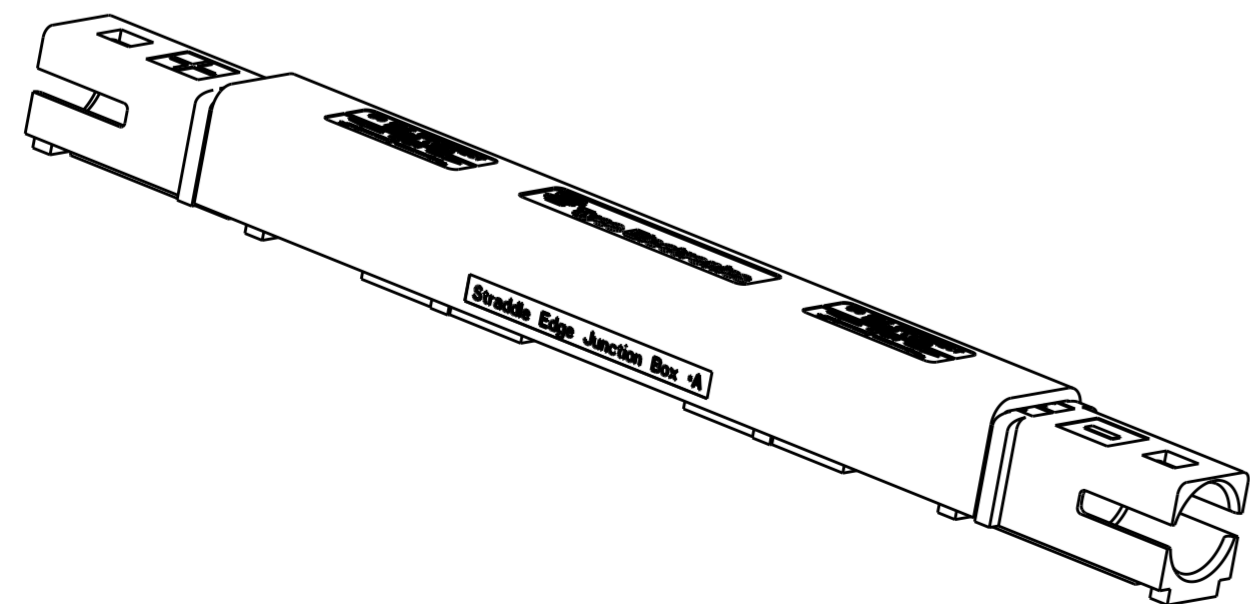
THIS DRAWING IS A CONTROLLED DOCUMENT.		DWN FRANK FAN 03JAN2018	 TE Connectivity
DIMENSIONS: mm		CHK ALEX ZHANG 03JAN2018	
TOLERANCES UNLESS OTHERWISE SPECIFIED: 0 PLC ±0.5 1 PLC ±0.5 2 PLC ±0.15 3 PLC ± 4 PLC ±		APVD MING SHI 03JAN2018	
MATERIAL		PRODUCT SPEC 108-106018 APPLICATION SPEC 114-106001 WEIGHT	
NAME STRADDLE EDGE CONNECTOR ASSY			RESTRICTED TO
SCALE 1:1			SHEET 2 OF 4 REV B

THIS DRAWING IS UNPUBLISHED. RELEASED FOR PUBLICATION 20  
 © COPYRIGHT 20 BY - ALL RIGHTS RESERVED.

LOC	DIST	REVISIONS			
P	LTR	DESCRIPTION	DATE	DWN	APVD
-	-	SEE SHEET 1	-	-	-



**OBSOLETE**



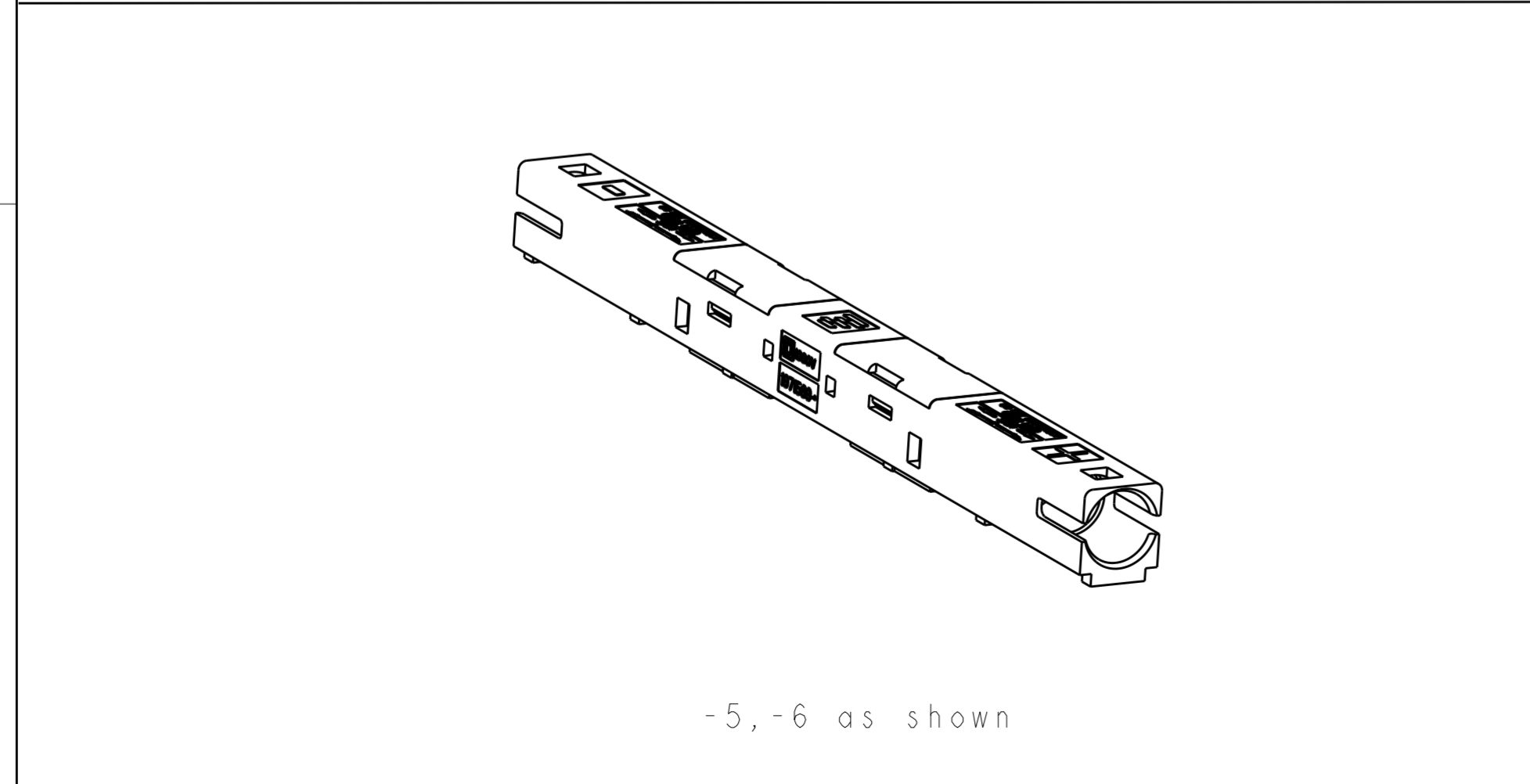
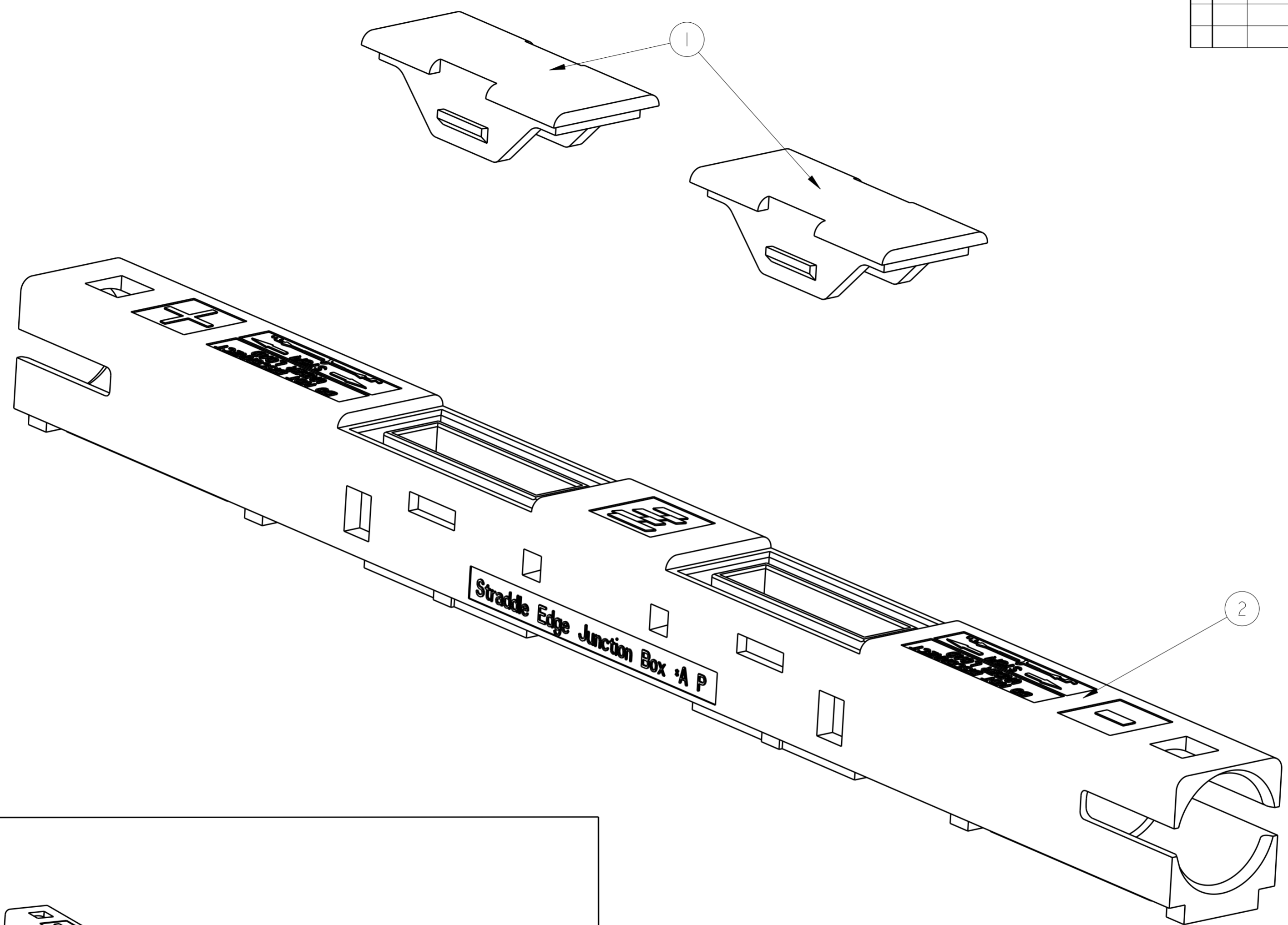
-3, -4 as shown

QTY	QTY	PART NO.	DESCRIPTION	ITEM NO.
1	1	1971674-2	cap housing	5
2	2	1971144-1	O-RING COVER	4
1	-	1971122-4	EDGE HSG ASSY(DIODE:6A10S)	3
-	1	1971122-3	EDGE HSG ASSY(DIODE:SBH 1540S)	
2	2	1971145-1	CLAMP SPRING	2
2	2	1971143-1	COVER	1


THIS DRAWING IS A CONTROLLED DOCUMENT.		DWN 03JAN2018 FRANK FAN	TE Connectivity
DIMENSIONS: mm		CHK 03JAN2018 ALEX ZHANG	
TOLERANCES UNLESS OTHERWISE SPECIFIED:		APVD 03JAN2018 MING SHI	
0 PLC ±0.5 1 PLC ±0.5 2 PLC ±0.13 3 PLC ± 4 PLC ± ANGLES ± FINISH		PRODUCT SPEC 108-106018 APPLICATION SPEC 114-106001 WEIGHT -	
MATERIAL		Customer Drawing	NAME STRADDLE EDGE CONNECTOR ASSY SIZE A200779 CAGE CODE C-1971569 DRAWING NO 1971569 RESTRICTED TO - SCALE 3:1 SHEET 3 OF 4 REV B

THIS DRAWING IS UNPUBLISHED. RELEASED FOR PUBLICATION 20  
 © COPYRIGHT 20 BY - ALL RIGHTS RESERVED.

LOC	DIST	REVISIONS			
P	LTR	DESCRIPTION	DATE	DWN	APVD
-	-	SEE SHEET 1	-	-	-



QTY	DESCRIPTION	ITEM NO.
1	EDGE HSG ASSY(DIODE:6A10S)	2
-	EDGE HSG ASSY(DIODE:SBH 1540S)	1
2	COVER	1
-6	PART NO.	

THIS DRAWING IS A CONTROLLED DOCUMENT.		DWN FRANK FAN 03JAN2018	 TE Connectivity NAME STRADDLE EDGE CONNECTOR ASSY
DIMENSIONS: mm		CHK ALEX ZHANG 03JAN2018	
TOLERANCES UNLESS OTHERWISE SPECIFIED:		APVD MING SHI 03JAN2018	
0 PLC ±0.5 1 PLC ±0.5 2 PLC ±0.13 3 PLC ± 4 PLC ± ANGLES ± FINISH ±		PRODUCT SPEC 108-106018	
MATERIAL		APPLICATION SPEC 114-106001	RESTRICTED TO
		WEIGHT	SIZE CAGE CODE DRAWING NO
			A200779C-1971569
		Customer Drawing	SCALE 1:1 SHEET 4 OF 4 REV B

单击下面可查看定价，库存，交付和生命周期等信息

[>>TE Connectivity\(泰科\)](#)