

THIS DRAWING IS UNPUBLISHED.

RELEASED FOR PUBLICATION

.1997

© COPYRIGHT 1997 BY -

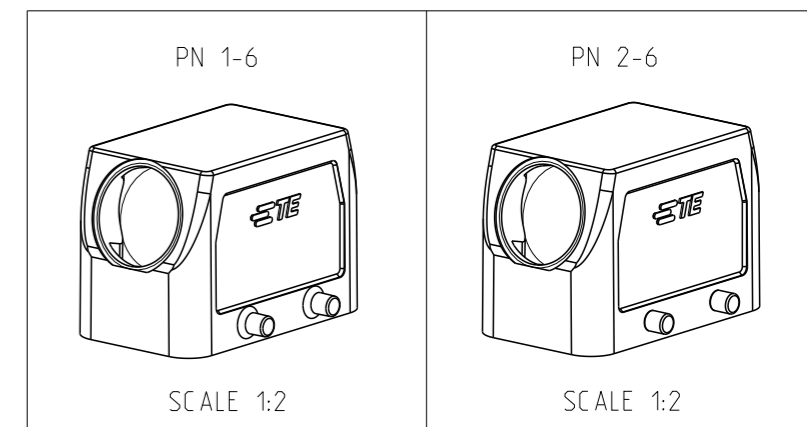
ALL RIGHTS RESERVED.

REVISIONS

P	LTR	DESCRIPTION	DATE	DWN	APVD
	A4	Released as per ECR-07-030422	17.12.07	SP	TS
	A5	REVISED PER ECR-16-016768	19AUG2017	AP	MKO

NOTES.

- 1 Material:Housing:Aluminium Diecasting Alloy
- 2 Surface-Powder Varnish Grey
-Aluminium Oxide +
Varnish Black
- 3 Varnish on the inside not necessary
- 4 Packaging
Quantity 5 Pieces in a box



OBSOLETE

ITEM NO	DESCRIPTION	MATERIAL	SURFACE	COLOR	ITEM NO	REMARKS
4	VS-Clip bolt	Stainless steel	-	-	3	
1	Hood HB.10.PG.1.21	Aluminium	Aluminium oxide	Black	2	
1	Hood HB.10.PG.1.21	Aluminium	-	Grey	1	

ORDERING TEXT

HB.10.STS.1.21.G

HB-K.10.STS.1.21.G



TE Connectivity

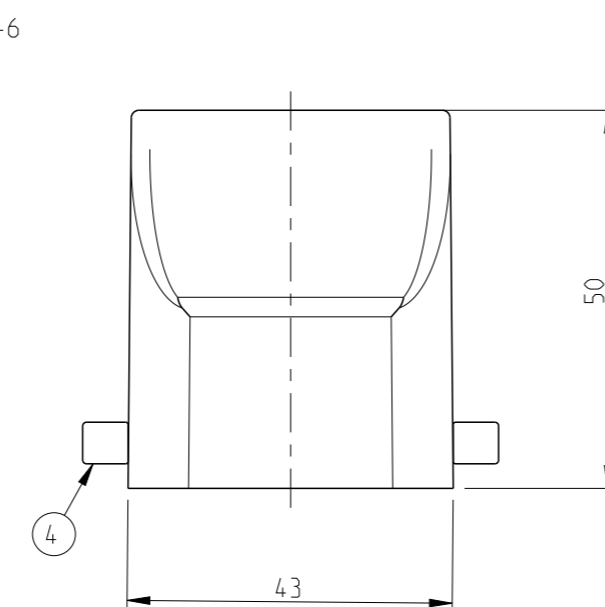
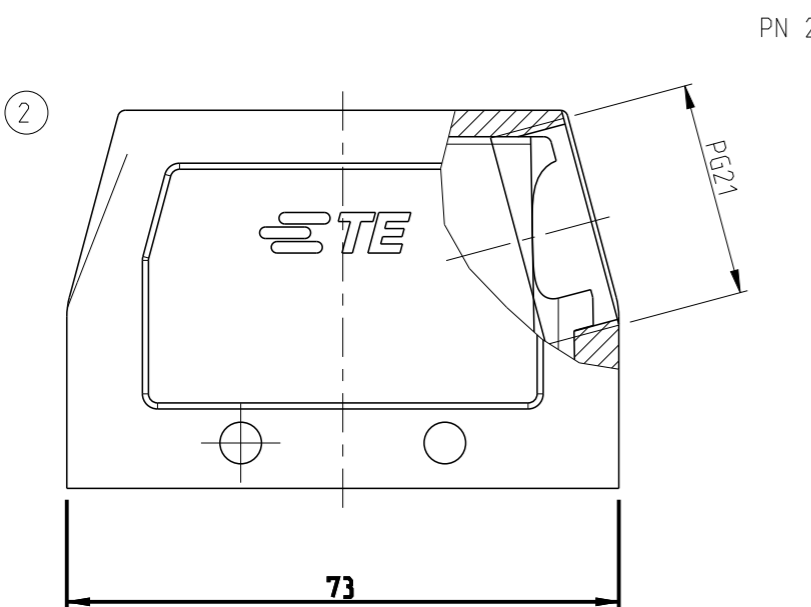
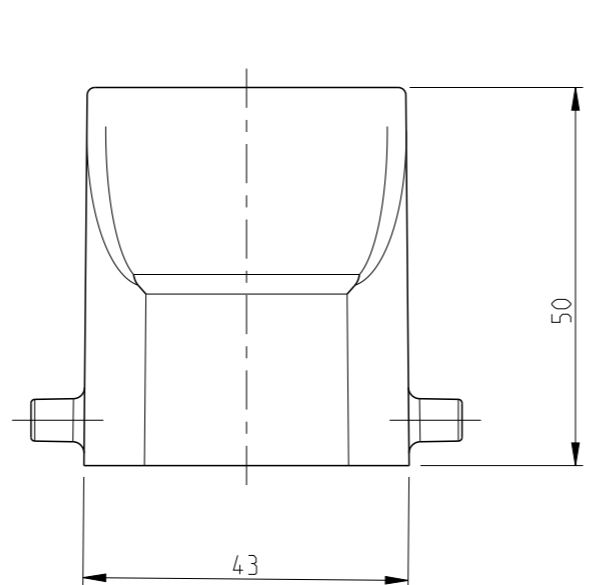
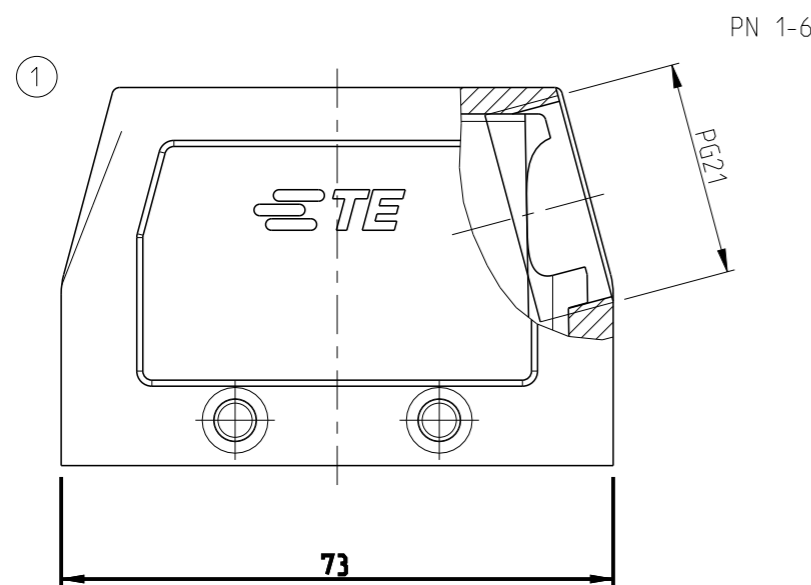
NAME
Hood
HB.10.STS.1.21.G

DWN	Kramer	11.05.98
CHK	Braun	10.11.98
APVD	-	-
PRODUCT SPEC	108-74003	
APPLICATION SPEC	114-74001	
WEIGHT	-	

SIZE	CAGE CODE	DRAWING NO	RESTRICTED TO
A3	00779	©=1102264	

THIS DRAWING IS A CONTROLLED DOCUMENT.	
DIMENSIONS: mm	TOLERANCES UNLESS OTHERWISE SPECIFIED: n,ISO 8015 n,ISO 2768-mS-E n,DIN 15001-120
	0 PLC ±
	1 PLC ±
	2 PLC ±
	3 PLC ±
	4 PLC ±
	ANGLES ±
MATERIAL	FINISH
-	-
-	-

CUSTOMER DRAWING	SCALE 1:1	SHEET 1 OF 1	REV A5
------------------	-----------	--------------	--------



单击下面可查看定价，库存，交付和生命周期等信息

[>>TE Connectivity\(泰科\)](#)