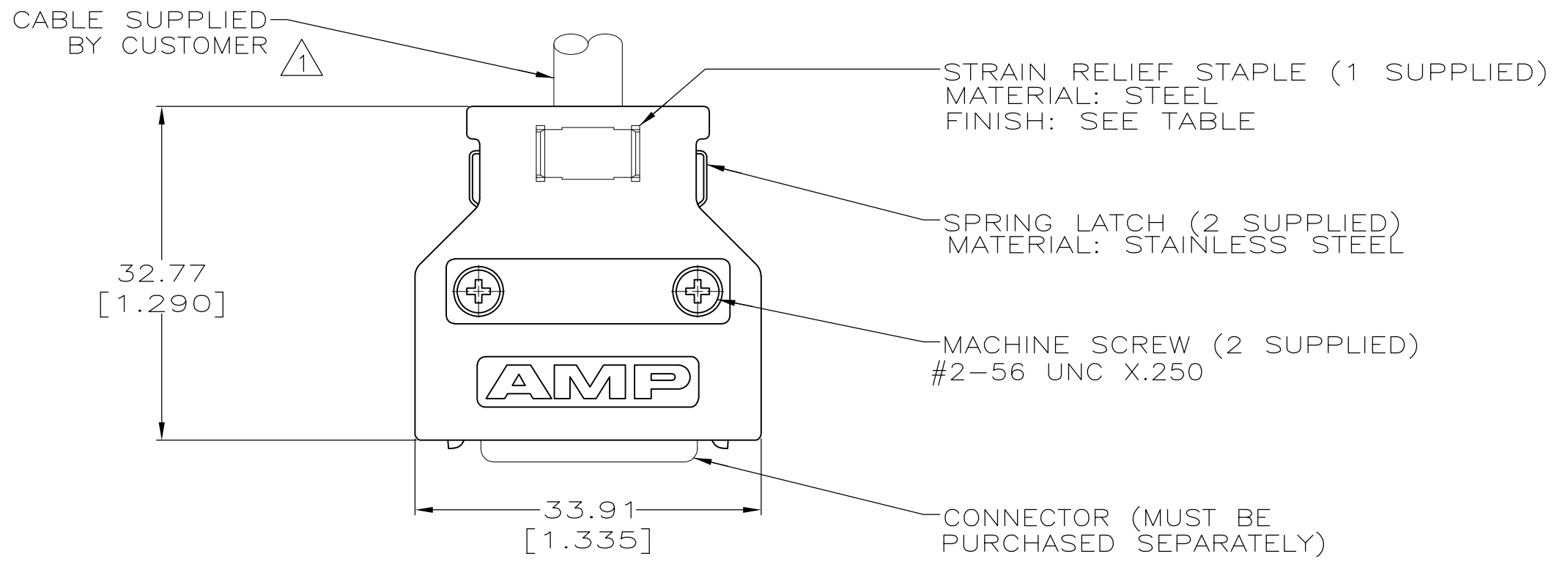
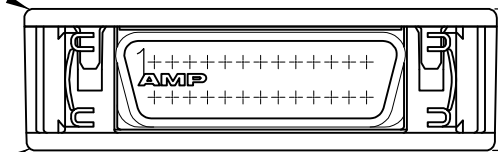


LOC	DIST	REVISIONS					
GP	00	P	LTR	DESCRIPTION	DATE	DWN	APVD
		A1		REVISED PER ECO-11-004835	11MAR11	RK	HMR



UPPER BACKSHELL (1 SUPPLIED)  
 MATERIAL: ZINC  
 PLATING: NICKEL OVER COPPER



10.16  
 [.400]

LOWER BACKSHELL (1 SUPPLIED)  
 MATERIAL: ZINC  
 PLATING: NICKEL OVER COPPER

△4	749608-2
△3	749608-1
STAPLE FINISH	PART NO

- △1 .270 MAX CABLE DIA
- 2. DIMENSIONS IN BRACKETS ARE IN INCHES.
- △3 BRIGHT TIN-LEAD OVER NICKEL.
- △4 BRIGHT TIN OVER NICKEL.



THIS DRAWING IS A CONTROLLED DOCUMENT.		DWN	M.MCCAFFREY	05/08/89	TE Connectivity NAME INDIVIDUAL KIT, 26 POSITION, REDUCED WIDTH, STRAIGHT EXIT, UNKEYED, AMPLIMITE .050 Series		
DIMENSIONS:		CHK	M.E.SHIRK	05/11/89			
mm[INCHES]		APVD	J.BROSCARD	05/23/89			
		PRODUCT SPEC		NAME			
TOLERANCES UNLESS OTHERWISE SPECIFIED:		APPLICATION SPEC		SIZE	CAGE CODE	DRAWING NO	RESTRICTED TO
0 PLC	± -	WEIGHT		A3	00779	C-749608	-
1 PLC	± -	CUSTOMER DRAWING		SCALE	2:1	SHEET	1 OF 1
2 PLC	± -			REV	A1		
3 PLC	± 0.38 [.015]						
4 PLC	± -						
ANGLES	± -						
MATERIAL	-						
FINISH	-						

单击下面可查看定价，库存，交付和生命周期等信息

[>>TE Connectivity\(泰科\)](#)