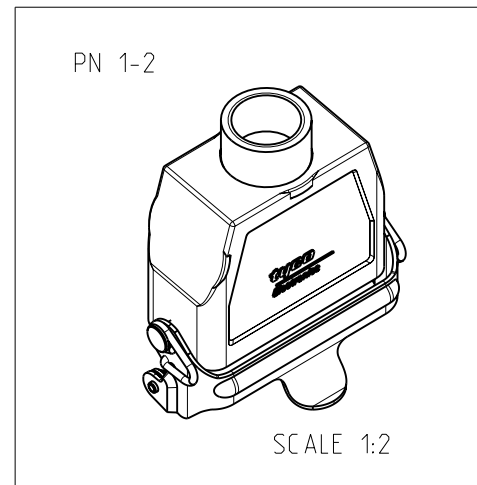
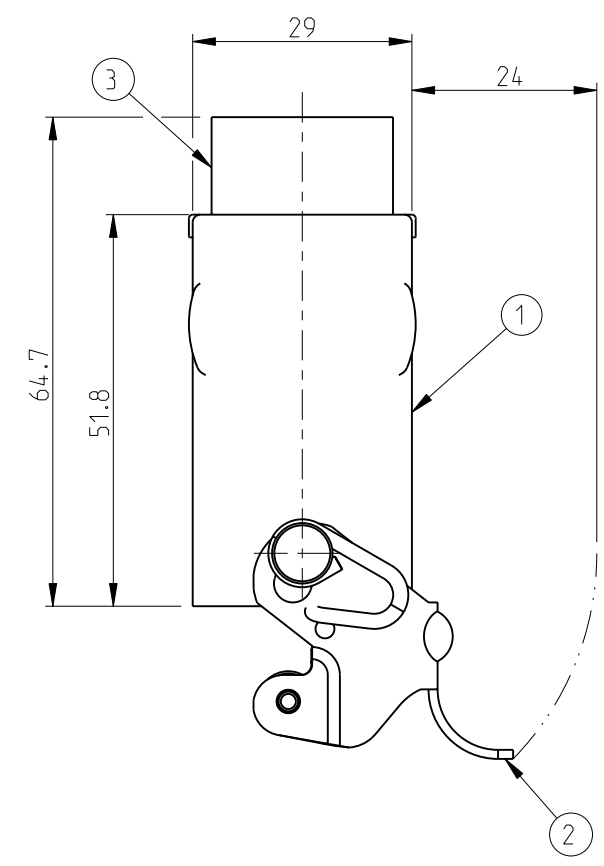
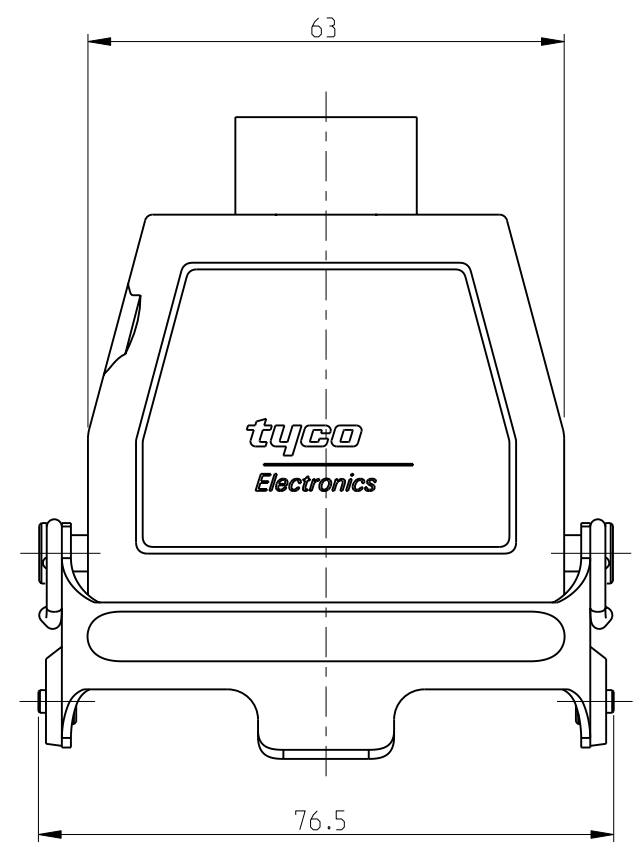


THIS DRAWING IS UNPUBLISHED. RELEASED FOR PUBLICATION 2000  
 © COPYRIGHT 2000 BY TYCO ELECTRONICS CORPORATION. ALL RIGHTS RESERVED.

| LOC | DIST | REVISIONS   |                               |             |      |    |
|-----|------|-------------|-------------------------------|-------------|------|----|
| P   | LTR  | DESCRIPTION | DATE                          | DWN         | APVD |    |
| A1  | -    | B2          | RELEASED AS PER ECR-09-005170 | 05.MAR.2009 | GG   | TS |

NOTES:

- 1 MATERIAL: SEE TABLE
- 2 SURFACE: SEE TABLE
- 3 VARNISH ON THE INSIDE NOT NECESSARY
- 4 PACKAGING QUANTITY: 5 PIECES PER BOX



PN 1-2 AS SHOWN

| 1-2 | DESCRIPTION         | MATERIAL  | SURFACE       | COLOR | ITEM NO. | REMARKS |
|-----|---------------------|-----------|---------------|-------|----------|---------|
| 1   | ADAPTER ROUND       | BRASS     | NICKEL PLATED | BLUE  | 3        | PG16    |
| 1   | CLIP                | STEEL     | ZINC PLATED   | BLUE  | 2        |         |
| 1   | CABLE TO CABLE HOOD | ALUMINIUM |               | GREY  | 1        |         |

ORDERING TEXT  
 HA10.KDO-LB.1.16.Z

|   |  |   |           |  |                      |
|---|--|---|-----------|--|----------------------|
| <small>THIS DRAWING IS A CONTROLLED DOCUMENT FOR TYCO ELECTRONICS CORPORATION IT IS SUBJECT TO CHANGE AND THE CONTROLLING ENGINEERING ORGANIZATION SHOULD BE CONTACTED FOR THE LATEST REVISION.</small> |  | DWN R.SRINIVAS 3/2/2006<br>CHK R.SRINIVAS 3/3/2006<br>APVD T.SCHNURPFEL 3/3/2006  |           | Tyco Electronics.AMP.GmbH<br>53757.SanktAugustin.Germany |                      |
| DIMENSIONS: mm<br>  |  | TOLERANCES UNLESS OTHERWISE SPECIFIED:<br>n.ISO 8015<br>n.ISO 2768-mH-E<br>n.DIN 16901-120<br>0 PLC ±<br>1 PLC ±<br>2 PLC ±<br>3 PLC ±<br>4 PLC ±<br>ANGLES ± |           | NAME<br>CABLE TO CABLE HOOD<br>HA10.KDO-LB.1.16.Z        |                      |
| MATERIAL 1  |  | FINISH 2  |           | PRODUCT SPEC -<br>APPLICATION SPEC -<br>WEIGHT -         |                      |
| CUSTOMER DRAWING  |  |   | SIZE A3   | CAGE CODE 00779  | DRAWING NO C-1102132 |
|   |  |   | SCALE 1:1 | SHEET 1 OF 1   | REV B2               |

单击下面可查看定价，库存，交付和生命周期等信息

[>>TE Connectivity\(泰科\)](#)