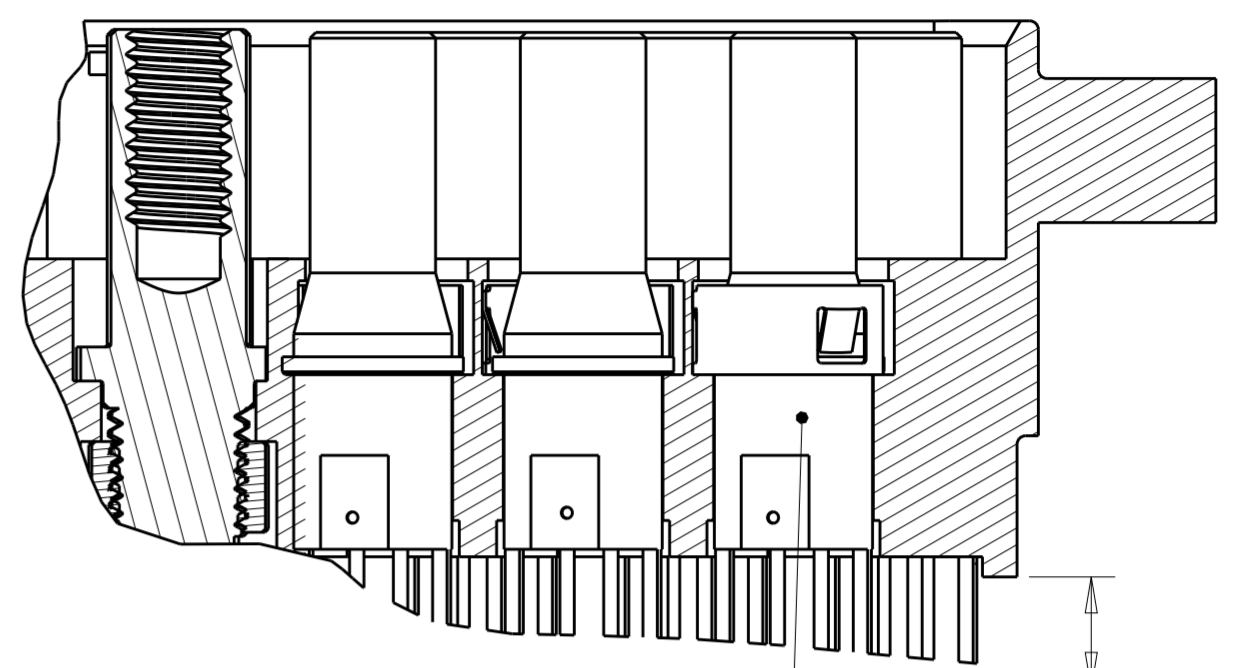
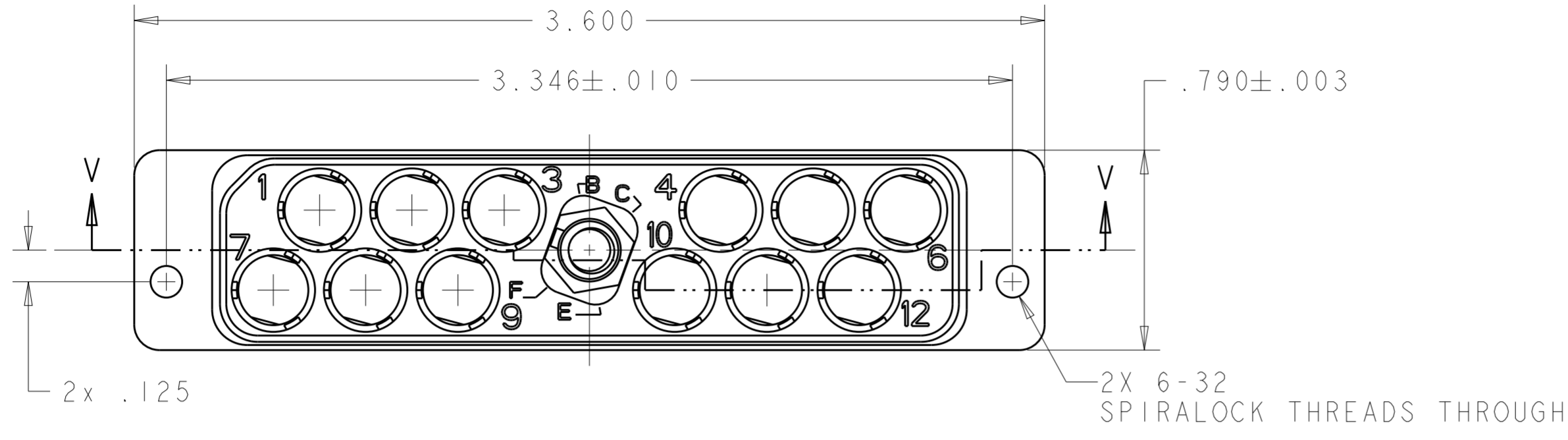
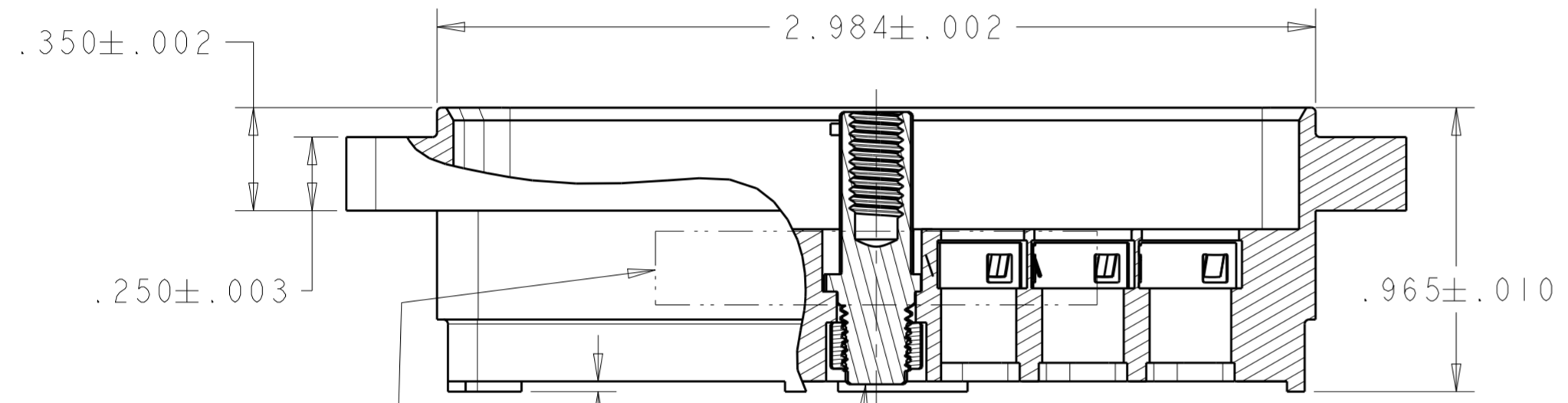


THIS DRAWING IS UNPUBLISHED. RELEASED FOR PUBLICATION 20
 © COPYRIGHT 20 BY - ALL RIGHTS RESERVED.

REVISIONS				
P	LTR	DESCRIPTION	DATE	APVD
E		REV PER ECO 17-015222	20OCT2017	CT OC



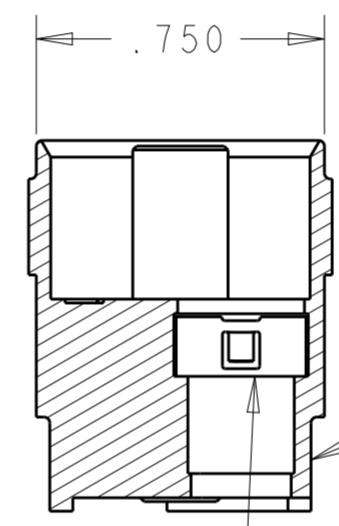
FR/FR QUADRAX PIN ASSY
 12 REQD, NOT INCLUDED;
 MUST BE ORDERED SEPARATELY;
 SEE DRAWING 1445626; VARIOUS
 TAIL LENGTHS ARE AVAILABLE



TE LOGO, TE PART NUMBER,
 AND DATE CODE MARKED
 APPROX AS SHOWN ON
 NEAR OR FAR SIDE

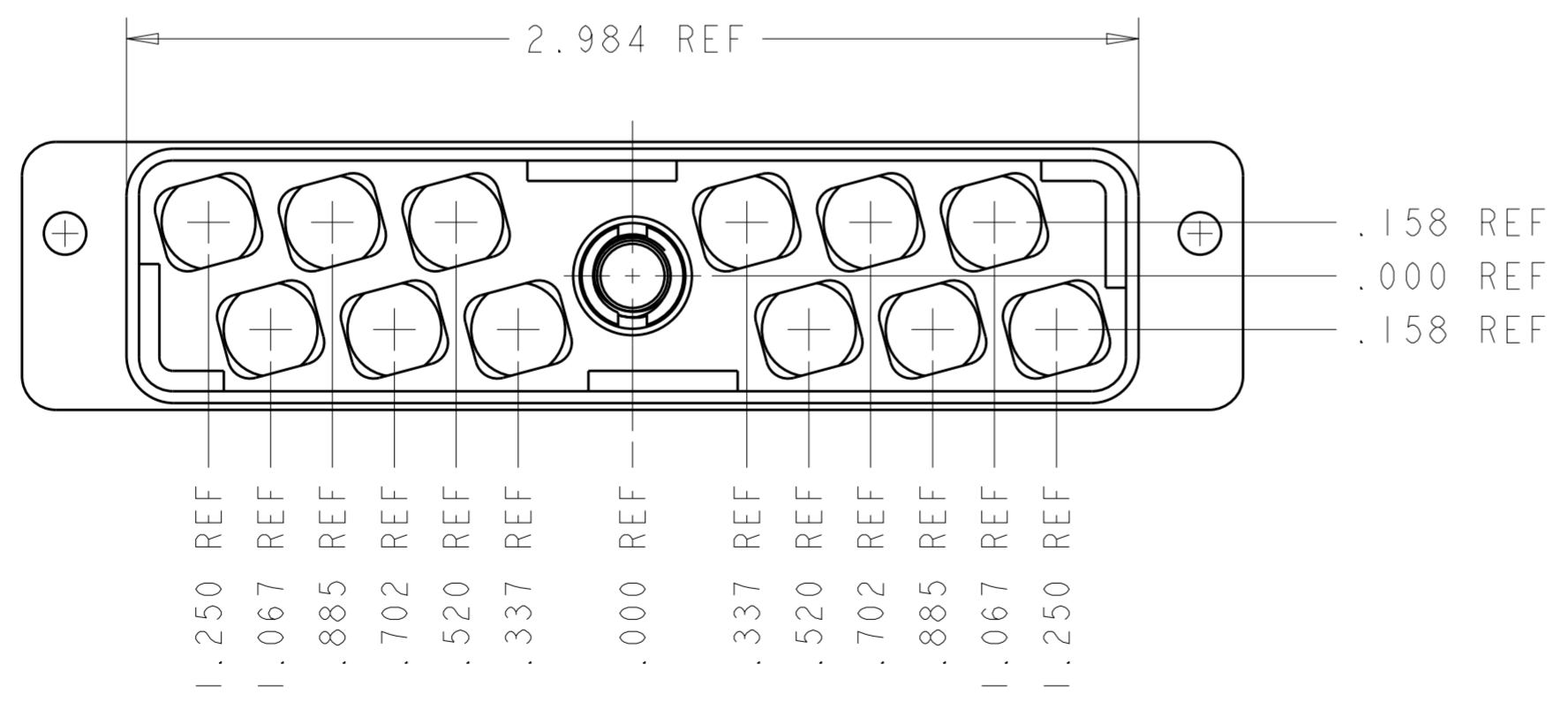
JACK POST ASSY
 SIMILAR TO BACC65AG
 (NOT INCLUDED ON -1)
 FLAT PLZLN W/ 1604798-2

SECTION V-V



RECEPTACLE SHELL
 MATL: ALUMINUM ALLOY
 FINISH: ELECTROLESS
 NICKEL

RETENTION CLIP, 12 REQD
 MATL: STAINLESS STEEL
 FINISH: PLATED SILVER

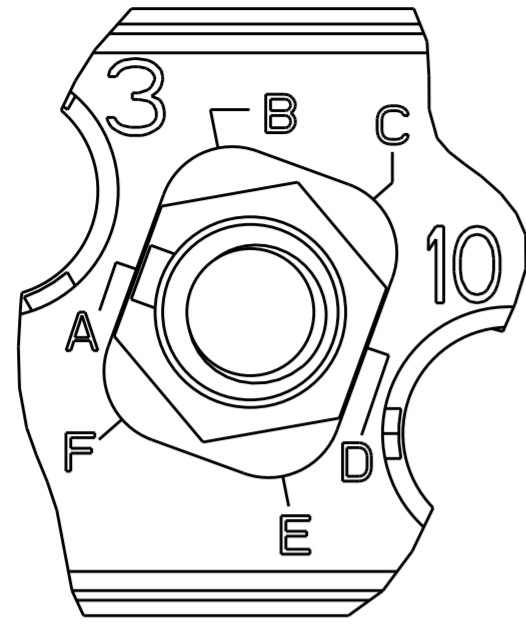


REFERENCE APPLICATION SPEC.
 FOR RECOMMENDED BOARD LAYOUT

D	DUST COVER INCLUDED SEE SHT 2	WITH JACKPOST (FLAT POLARIZATION)	1604798-5
C	DUST COVER INCLUDED SEE SHT 2	WITH JACKPOST (FLAT POLARIZATION)	1604798-4
B	DUST COVER INCLUDED SEE SHT 2	WITH JACKPOST (FLAT POLARIZATION)	1604798-3
A	DUST COVER INCLUDED; SEE SHT 2	WITH JACKPOST (FLAT POLARIZATION)	1604798-2
-	DUST COVER NOT INCLUDED	WITHOUT JACKPOST	1604798-1
JACKPOST POLARIZATION CODE	DUST COVER P/N 1604996-1	DESCRIPTION	PART NO.

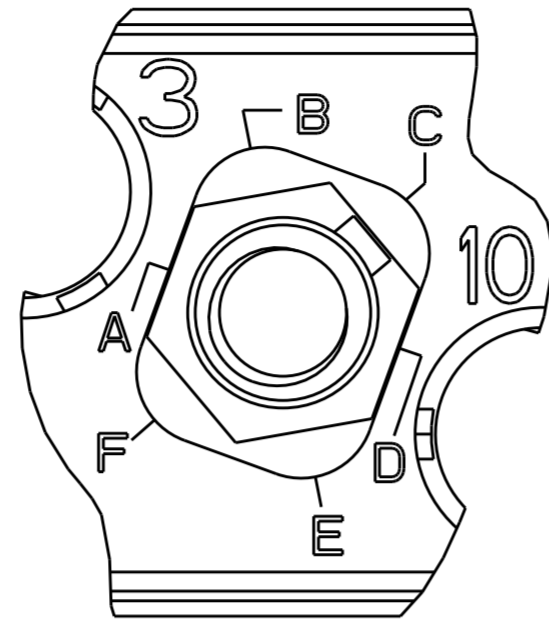
THIS DRAWING IS A CONTROLLED DOCUMENT.		DWN 25 JUNE 2004 Brent D. Yohn	Tyco Electronics STE TE Connectivity	
DIMENSIONS: IN		CHK 25 JUNE 2004 W. H. BERNHART	NAME ASSEMBLY, RECEPTACLE, QUADRAX, PWB MOUNT, FR/FR, 12 POSN	
TOLERANCES UNLESS OTHERWISE SPECIFIED:		APVD 25 JUNE 2004 W. H. BERNHART	SIZE CAGE CODE DRAWING NO RESTRICTED TO	
0 PLC ±	1 PLC ±	PRODUCT SPEC	A200779 C-1604798	
2 PLC ±	3 PLC ±.005	APPLICATION SPEC	SCALE 2:1 SHEET 1 OF 2 REV E	
4 PLC ±	ANGLES ±	114-13123		
MATERIAL -	FINISH -	WEIGHT -		
CUSTOMER DRAWING				

REVISIONS					
P	LTR	DESCRIPTION	DATE	DWN	APVD
-		SEE SHEET 1	-	-	-



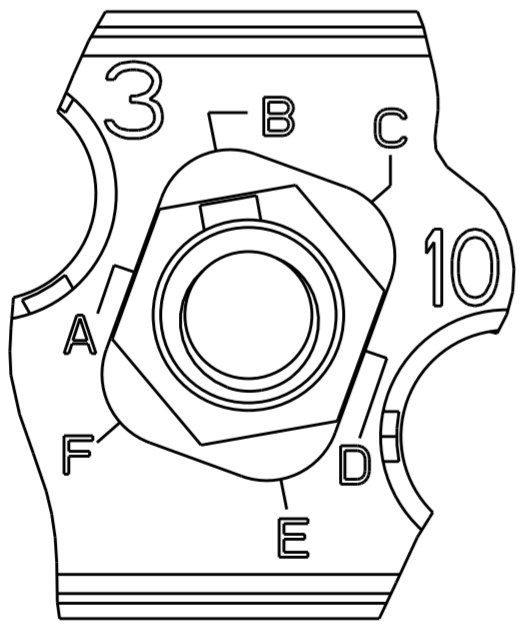
**1604798-2
 PLZN CODE A
 (FLAT PLZN)**

(PLZN CODES, A THRU F,
 SHOWN FOR REF ONLY; MARKING
 ON SHELL WILL ONLY SHOW
 CODES B,C,E AND F)



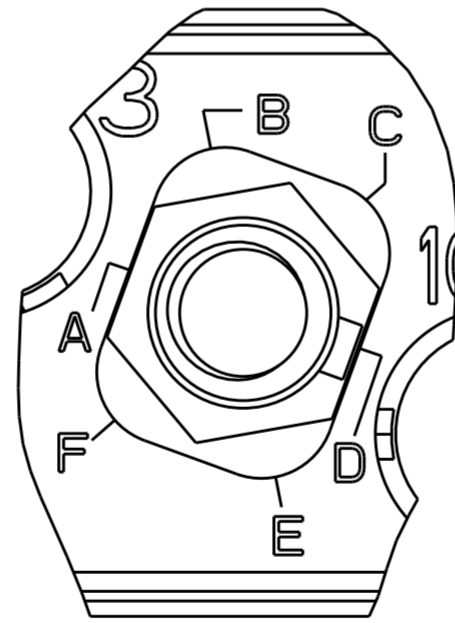
**1604798-4
 PLZN CODE C
 (FLAT PLZN)**

(PLZN CODES, A THRU F,
 SHOWN FOR REF ONLY; MARKING
 ON SHELL WILL ONLY SHOW
 CODES B,C,E AND F)



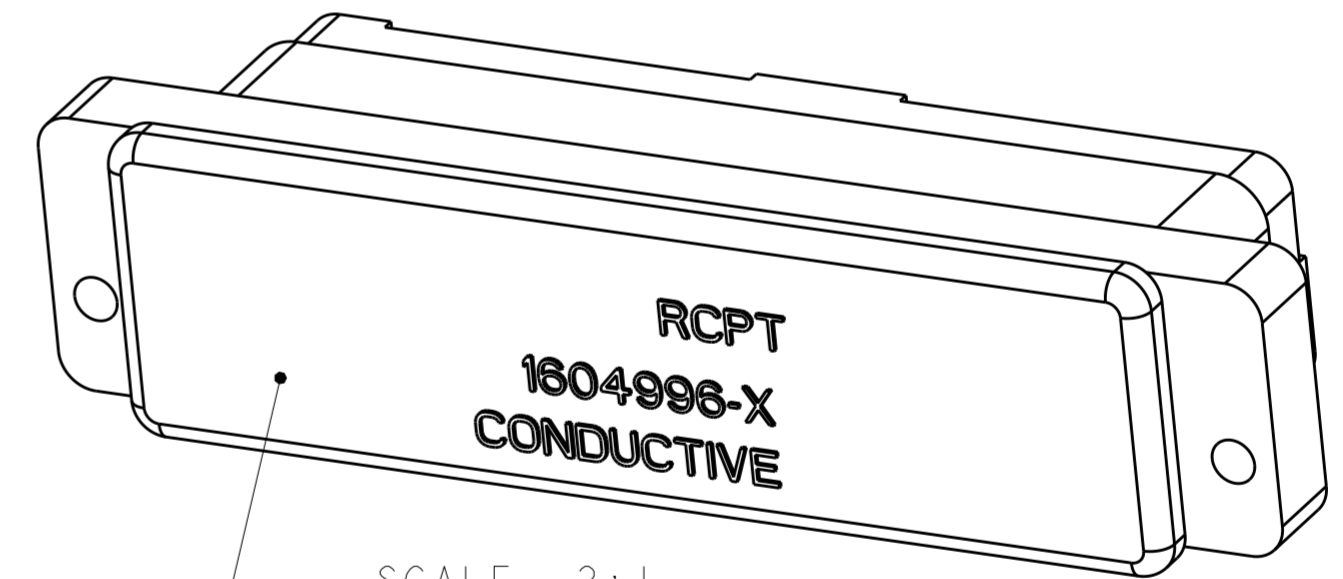
**1604798-3
 PLZN CODE B
 (FLAT PLZN)**

(PLZN CODES, A THRU F,
 SHOWN FOR REF ONLY; MARKING
 ON SHELL WILL ONLY SHOW
 CODES B,C,E AND F)



**1604798-5
 PLZN CODE D
 (FLAT PLZN)**

(PLZN CODES, A THRU F,
 SHOWN FOR REF ONLY; MARKING
 ON SHELL WILL ONLY SHOW
 CODES B,C,E AND F)



SCALE 2:1

ESD DUST COVER; PART NUMBER 1604996-1
 INCLUDED WITH ASSY PART NUMBER
 1604798-2, -3 AND -4

SHOWN WITH DUST COVER

THIS DRAWING IS A CONTROLLED DOCUMENT.		DWN Brent D. Yohn 25 JUNE 2004	TE Connectivity	
DIMENSIONS: IN		CHK W. H. BERNHART 25 JUNE 2004		
TOLERANCES UNLESS OTHERWISE SPECIFIED:		APVD W. H. BERNHART 25 JUNE 2004	NAME ASSEMBLY, RECEPTACLE, QUADRAX, PWB MOUNT, FR/FR, 12 POSN	
0 PLC ±	1 PLC ±	PRODUCT SPEC	SIZE	CAGE CODE
2 PLC ±	3 PLC ±	APPLICATION SPEC	A200779	1604798
4 PLC ±	ANGLES ±	WEIGHT	SCALE	SHEET
FINISH		CUSTOMER DRAWING	2:1	2 OF 2
				REV E

单击下面可查看定价，库存，交付和生命周期等信息

[>>TE Connectivity\(泰科\)](#)