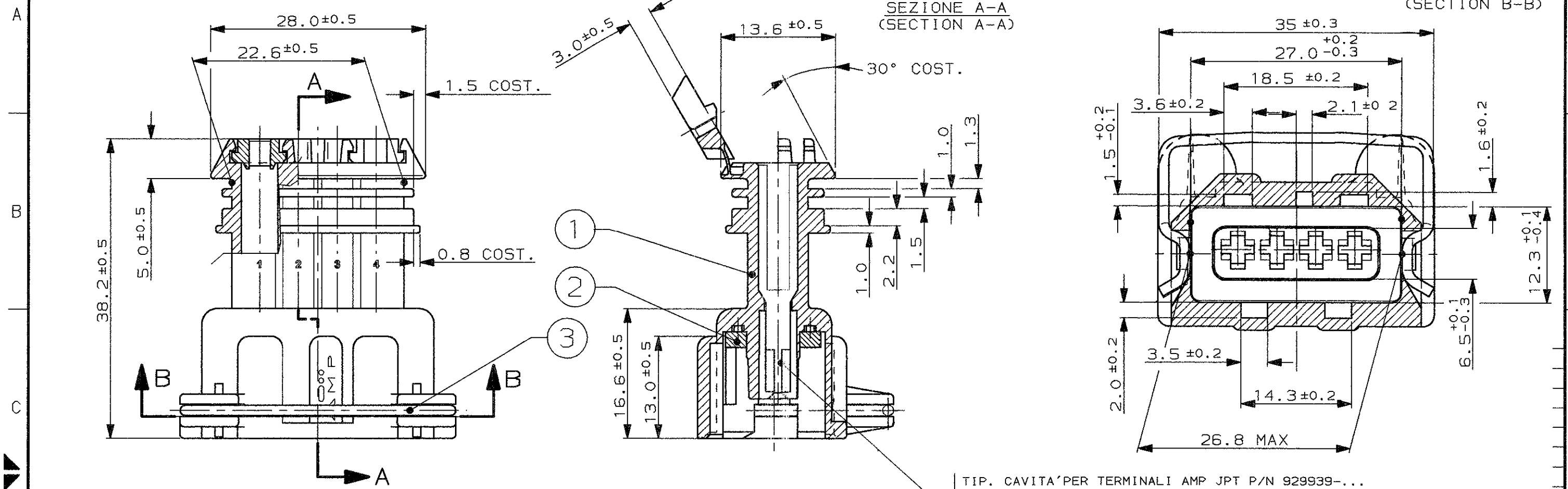


CONNETTORE TIPO A (CON MOLLA DI RITEGNO ESTERNA)
CONNECTOR TYPE A (WITH EXTERNAL SPRING)

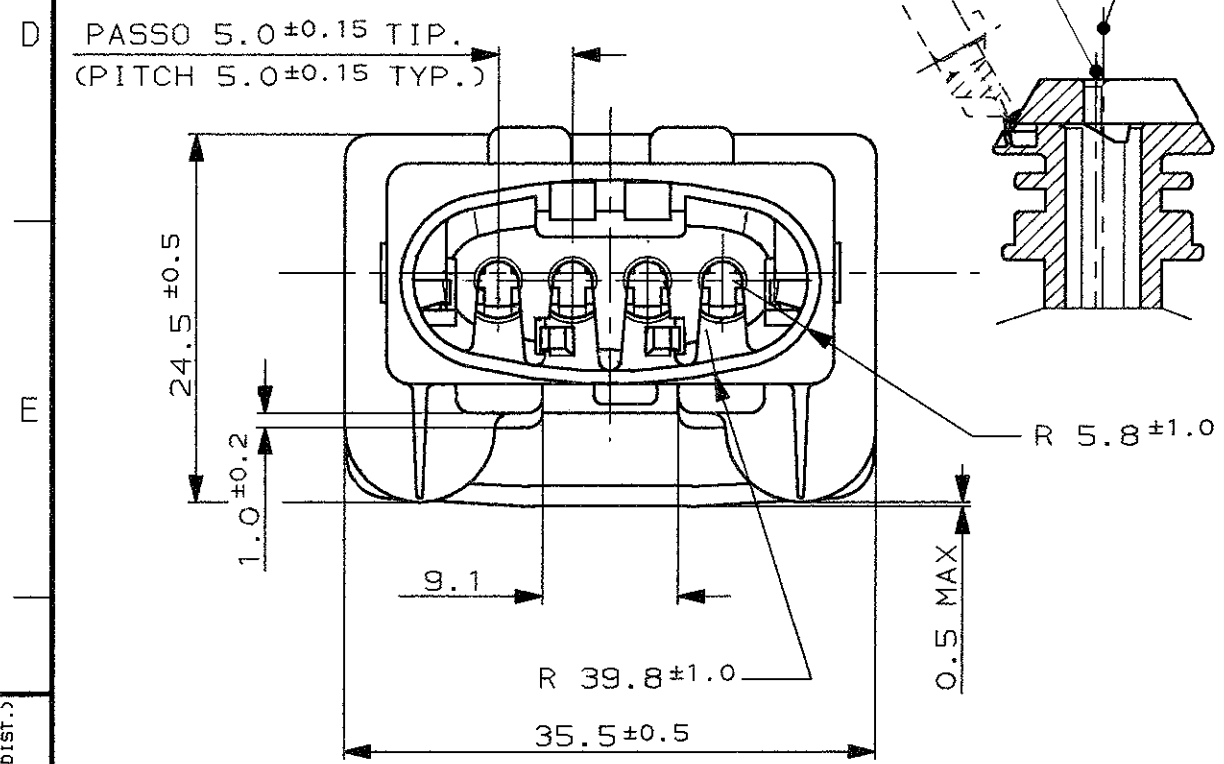
SCALA NON IMPEGNATIVA (DO NOT SCALE)
DIMENSIONI IN mm (DIMENSIONS IN mm) **METRIC**
PROIEZIONE EUROPEA (EUROPEAN PROJECTION)

SEZIONE B-B (SECTION B-B)

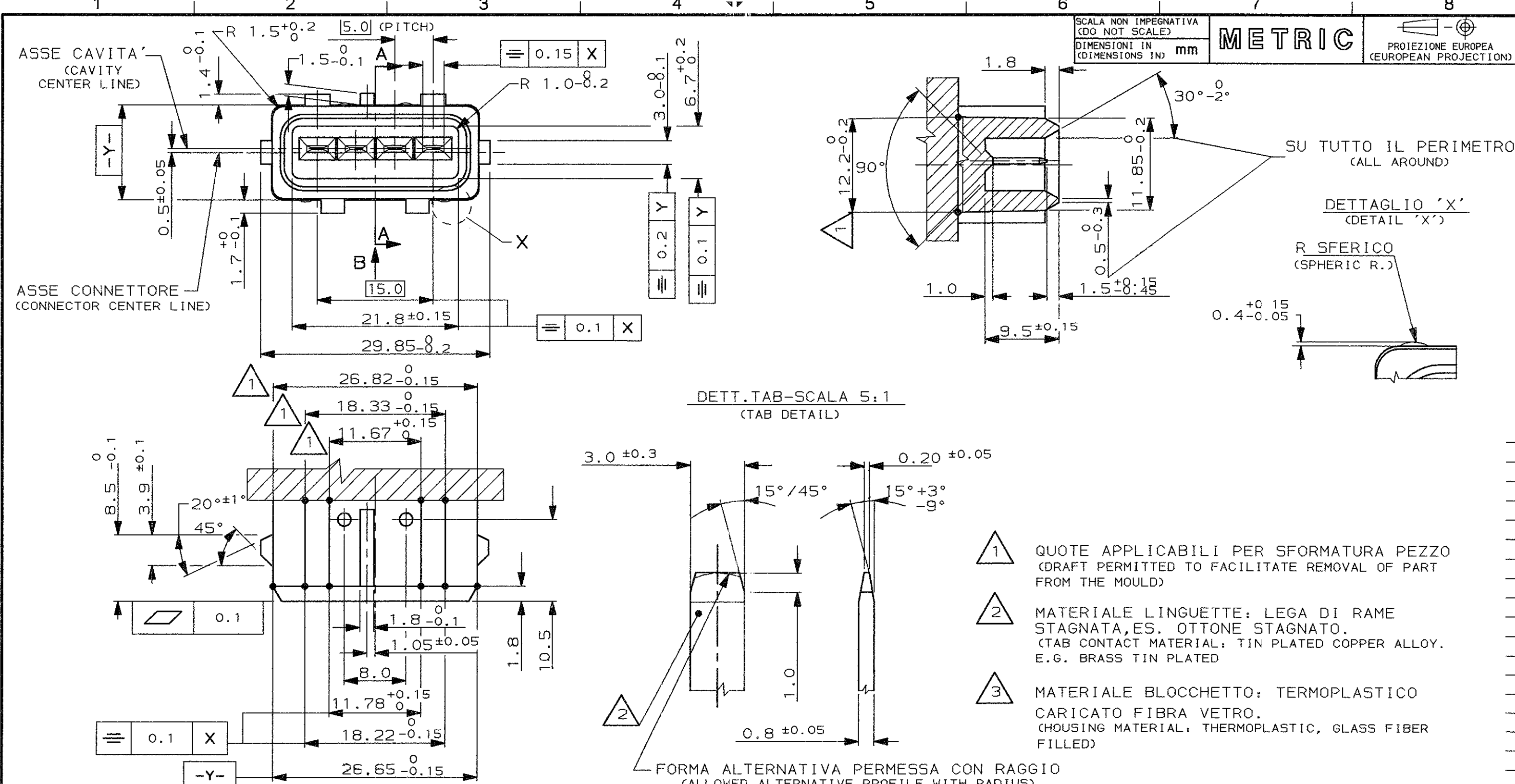


TIP. CAVITA' PER TERMINALI AMP JPT P/N 929939-...
OPPURE 929937-... E RELATIVI GOMMINI
AMP P/N 828904-1, 828905-1, 282536-1.
TAPPO CAVITA' P/N 828906-2
(TYP. CAV. FOR JPT CONT. P/N 929939-... A/O 929937-... AND REL.
SINGLE WIRE SEAL P/N 828904-1, 828905-1, 282536-1
CAVITY PLUG P/N 828906-2)

ASSE CONNETTORE (CONNECTOR CENTER LINE)
ASSE CAVITA' (CAVITY CENTER LINE)



ROSSO (RED)	-----				
GIALLO (YELLOW)	-----				
MARRONE (BROWN)	-----				
BLU (BLUE)	-----		3	\\\\\\\\\\\\	ACCIAIO INOX (STAINLESS STEEL)
VERDE (GREEN)	-----				
NATURALE (NATUR)	-----		2	NATURALE (NATURAL)	GOMMA (RUBBER)
GRIGIO (GREY)	282342-1	F	1	\\\\\\\\\\\\	PA 6.6
NERO (BLACK)	-----				BLOCCHETTO (HOUSING)
COLORE (COLOR)	NUMERO (PART. N°)	ASSY (REV.)	N° (ITEM)	FINITURA / COLORE (FINISH / COLOUR)	MATERIALE (MATERIAL)
			CUSTOMER DWG. FOR REFERENCE ONLY		DISEGNO PER CLIENTE SOLO PER RIFERIMENTO
			THIS DRAWING IS UNPUBLISHED		RELEASE FOR PUBLICATION 19
			© COPYRIGHT 19 BY AMP INCORPORATED, HARRISBURG, PA. ALL INTERNATIONAL RIGHT RESERVED. AMP PRODUCTS MAY BE COVERED BY U.S. AND FOREIGN PATENT AND/OR PATENT PENDING		
N	ECR-14-003472	MP	24MAR 2014		
M1	REVISED PER ECR-09-015789	M.G.	3-8 2009		
M	REVISED FOR ET00-0385-99	M.P.	2-4 01		
L	AGGIOR. CON ET00-0221-96	A.F.	27-5 '96		
C	AGGIOR. CON ET00-0108-95	M.P.	11-5 '95		
B	AGG. FOGLIO 2 (ADDED SH.2)	R.M.	3-9 '92		
A	IN PRODUZIONE (IN PRODUCTION)	R.M.	13-10 '92		
1	P/N WAS C-91-5106B-2	R.M.	2-3 '92		
REV. (REV.)	REVISIONI (REVISION RECORD)	DIS. (DR)	DATA (DATE)		
			DIS. 11 APR 91 (DR.) R. MARTINI		DESCRIZIONE (DESCRIPTION) 4 W. SPLASH PROOF CONN. ASS'Y with SPEC. POLARIZATION AND SEC. LOCK
			CONT. 13 OCT 92 (CHK) C. TARTARI		LOC. SIZE (DWG NO) I A3
			APP. (CAPP.)		NUMERO (DWG NO) C-282342
					REV. (REV.) 1
					FOGLIO (SHEET) 2



SCALA NON IMPEGNATIVA (DO NOT SCALE)
 DIMENSIONI IN mm (DIMENSIONS IN mm) **METRIC**
 PROIEZIONE EUROPEA (EUROPEAN PROJECTION)

DETT. TAB-SCALA 5:1 (TAB DETAIL)

- 1 QUOTE APPLICABILI PER SFORMATURA PEZZO (DRAFT PERMITTED TO FACILITATE REMOVAL OF PART FROM THE MOULD)
- 2 MATERIALE LINGUETTE: LEGA DI RAME STAGNATA, ES. OTTONE STAGNATO. (TAB CONTACT MATERIAL: TIN PLATED COPPER ALLOY. E.G. BRASS TIN PLATED)
- 3 MATERIALE BLOCCHETTO: TERMOPLASTICO CARICATO FIBRA VETRO. (HOUSING MATERIAL: THERMOPLASTIC, GLASS FIBER FILLED)

VISTA DA "B" (VIEW FROM "B")

FINITURA / COLORE (FINISH / COLOUR)	MATERIALE (MATERIAL)	NUMERO (PART NUMBER)
CUSTOMER DWG. FOR REFERENCE ONLY		DISEGNO PER CLIENTE SOLO PER RIFERIMENTO
THIS DRAWING IS UNPUBLISHED		RELEASE FOR PUBLICATION 19
© COPYRIGHT 19 BY AMP INCORPORATED, HARRISBURG, PA. ALL INTERNATIONAL RIGHT RESERVED. AMP PRODUCTS MAY BE COVERED BY U.S. AND FOREIGN PATENT AND/OR PATENT PENDING		
TOLLERANZE, SE NON DIVERSAMENTE SPECIFICATO (TOLERANCES, UNLESS OTHERWISE SPECIFIED)	DIAM. ISOLANTE (INS. DIA. RANGE)	RANGO FILO (WIRE RANGE)
± 0.3	---	---
ANGOLI (ANGLES)	Tyco Electronics Tyco Electronics AMP Italia S.r.l. Corso F.lli Cervi 15, Collegno (TO)	
DIS. (DR.)	DESCRIZIONE (DESCRIPTION)	
CONT. (CHK)	4 POS. SPLASH PROOF CONN. ASS'Y w. SPEC. POLARIZATION AND SEC. LOCK	
APP. (CAP)	LOC. SIZE (DWG NO)	REV. (SHEET)
---	I A3 C-282342	N 2
REV. (REVISION RECORD)	DIS. DATA (DR) (DATE)	FOLIO (SHEET)
(SEE SHEET 1 OF 2)	(SEE SHEET 1 OF 2)	D1 (COF) 2

DISTRIBUZIONE (PRINT DIST.)

单击下面可查看定价，库存，交付和生命周期等信息

[>>TE Connectivity\(泰科\)](#)