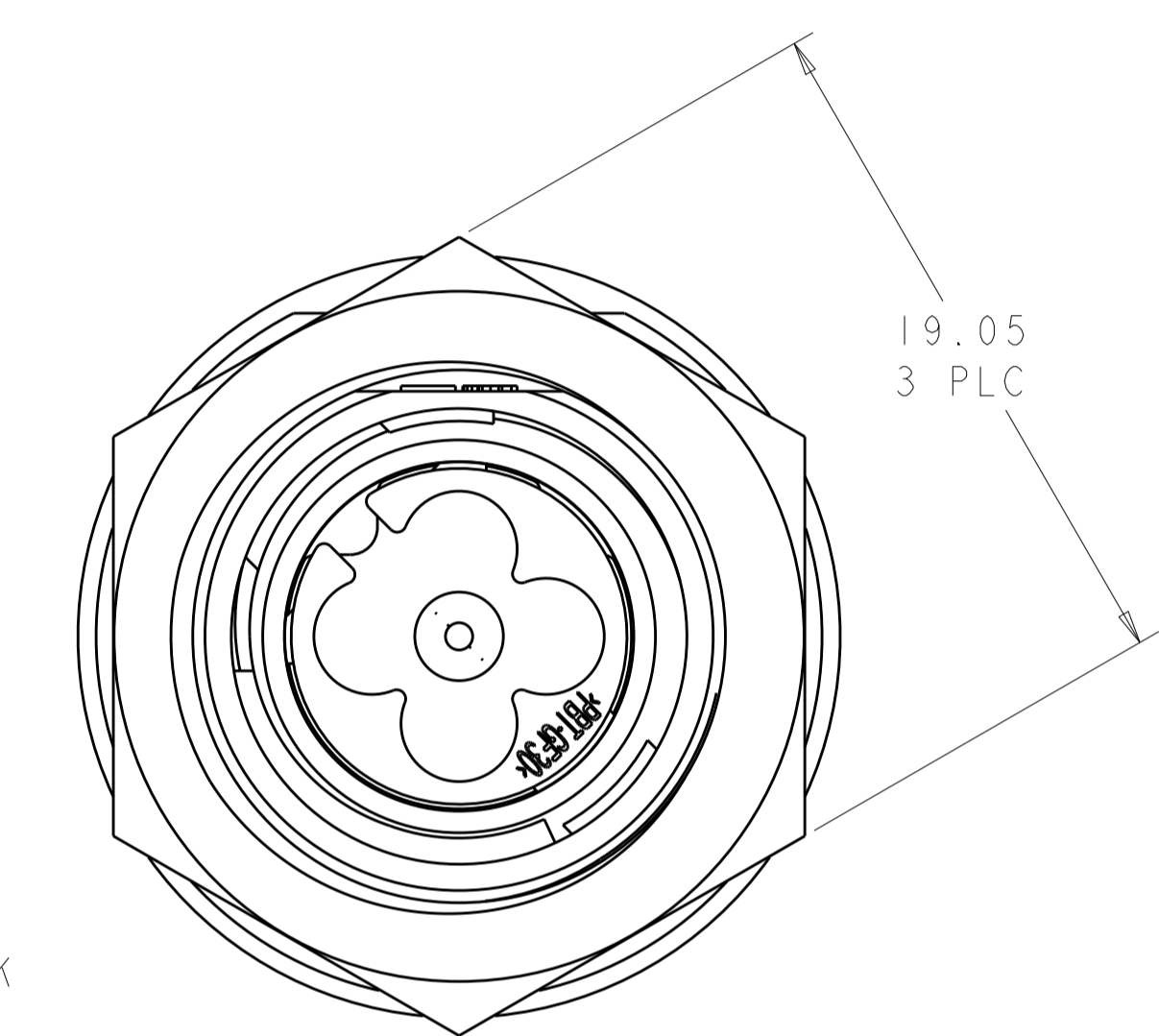
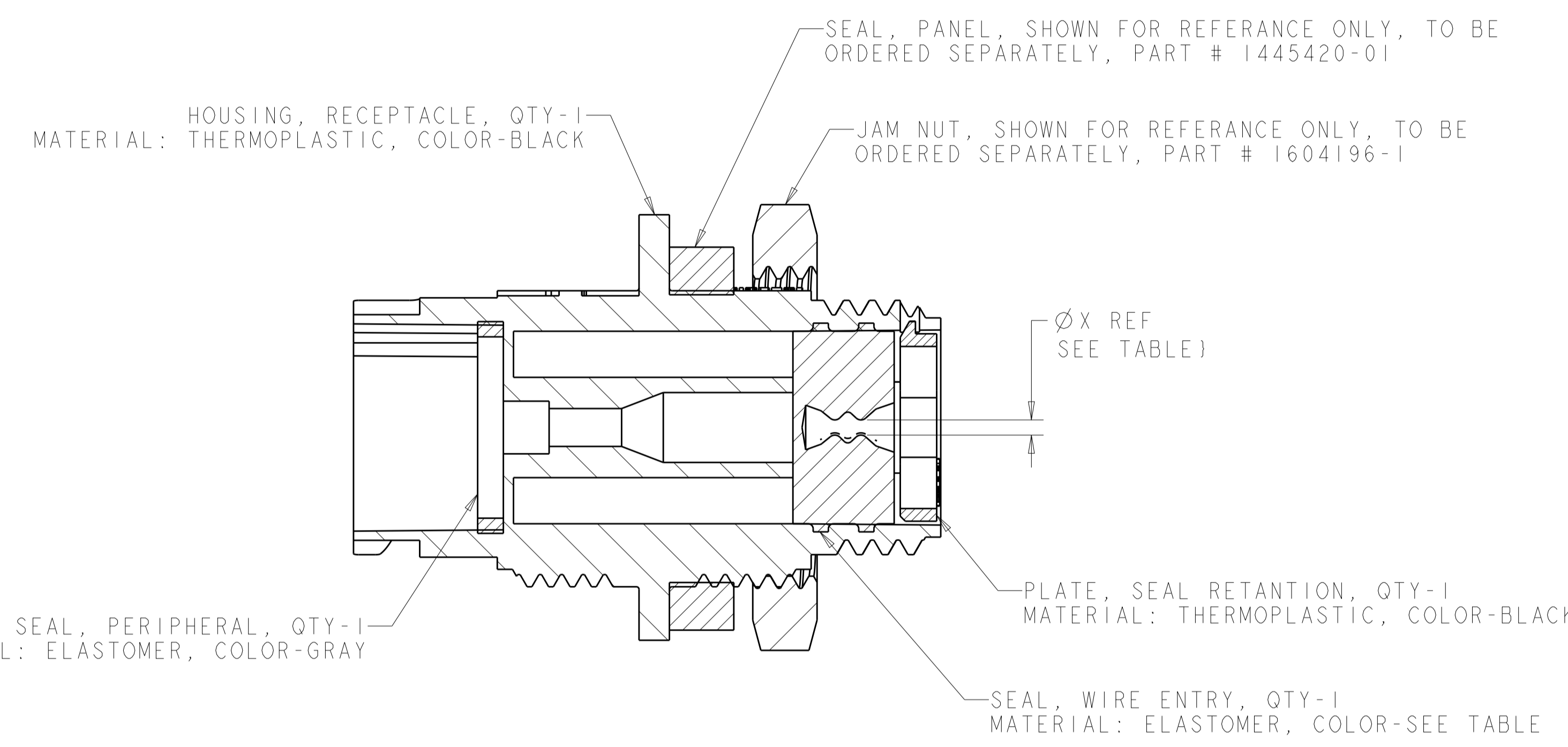
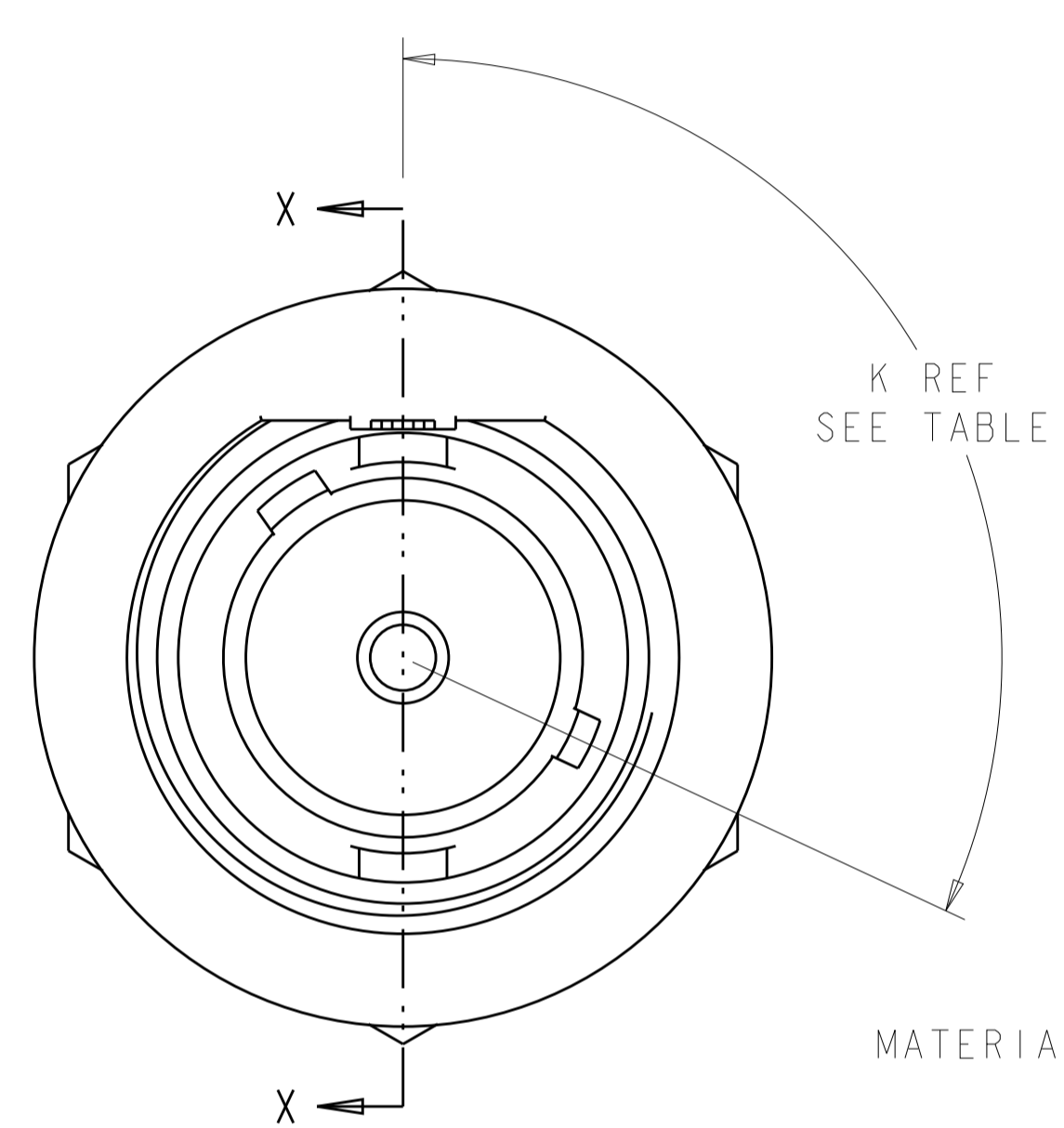
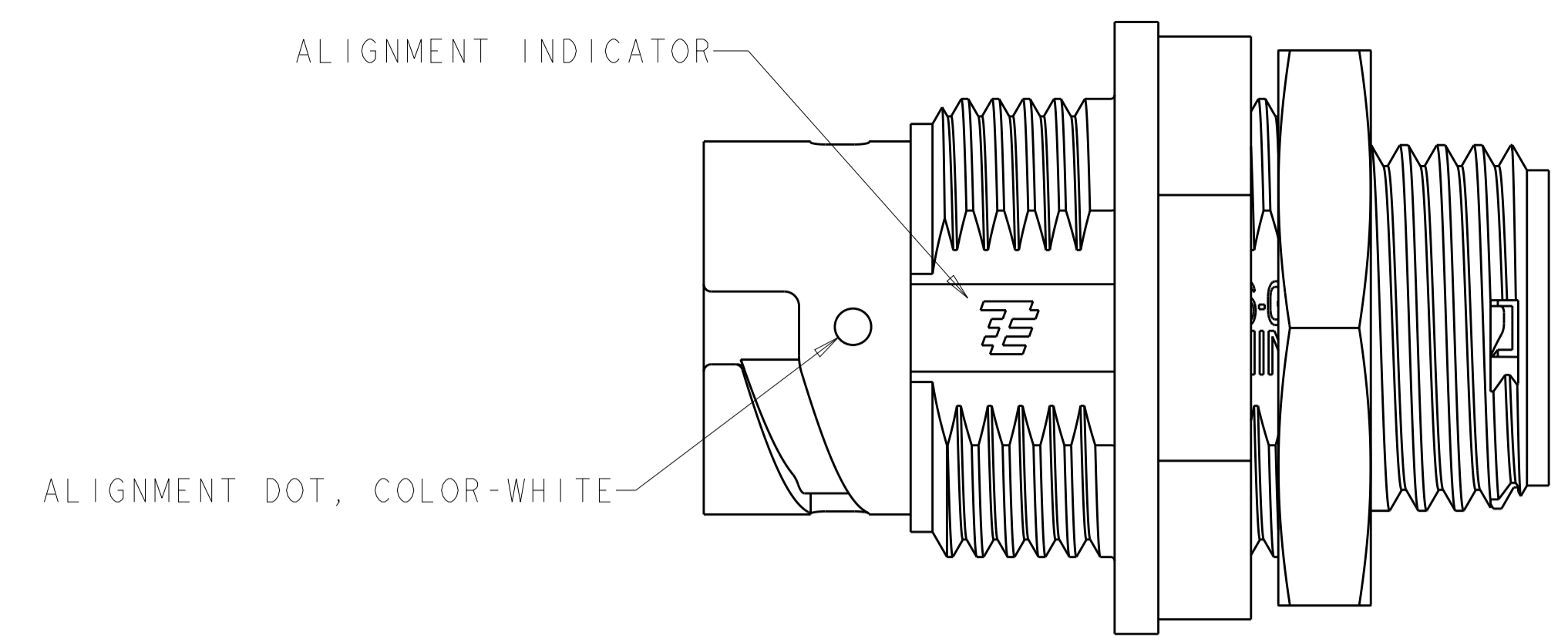
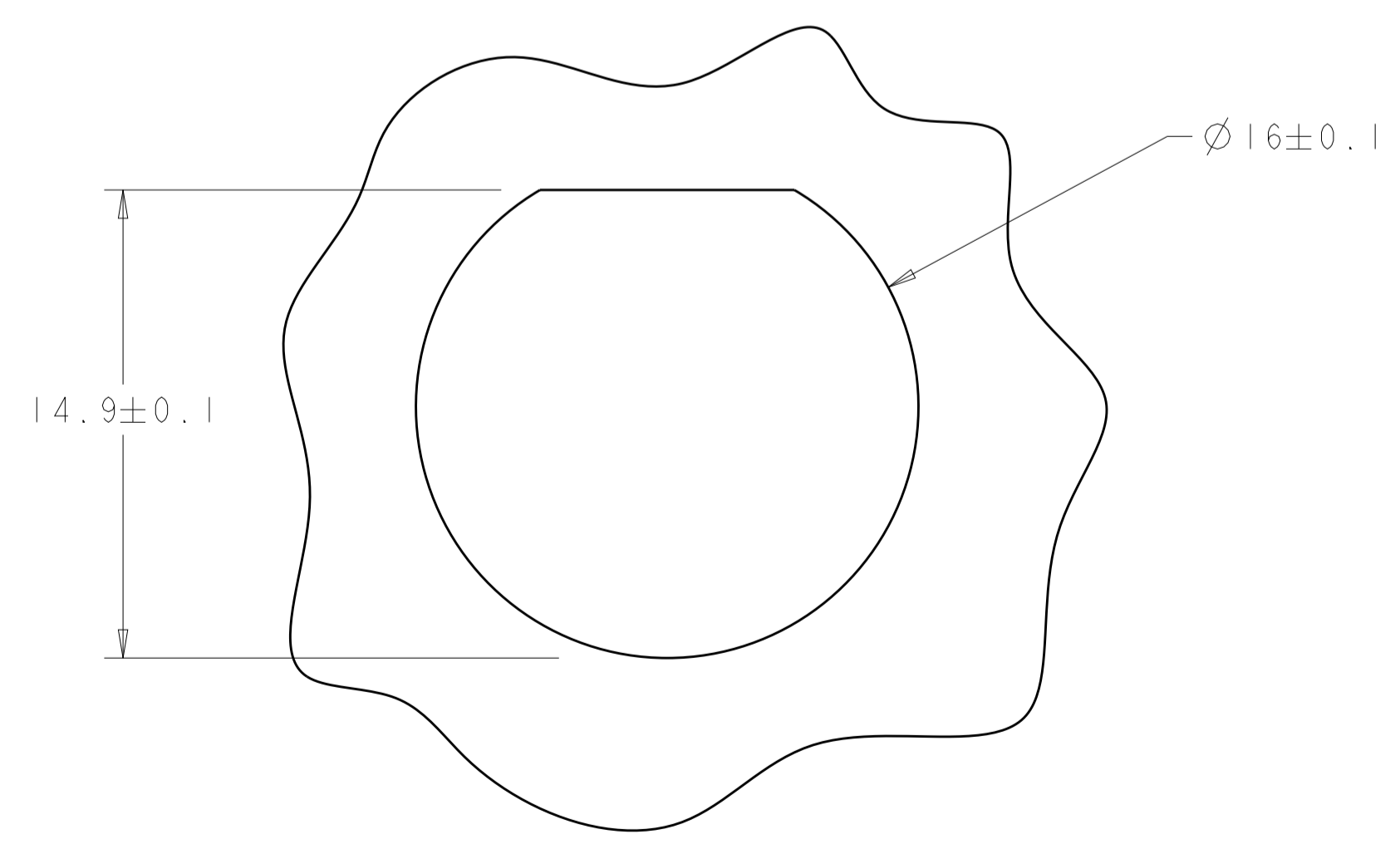
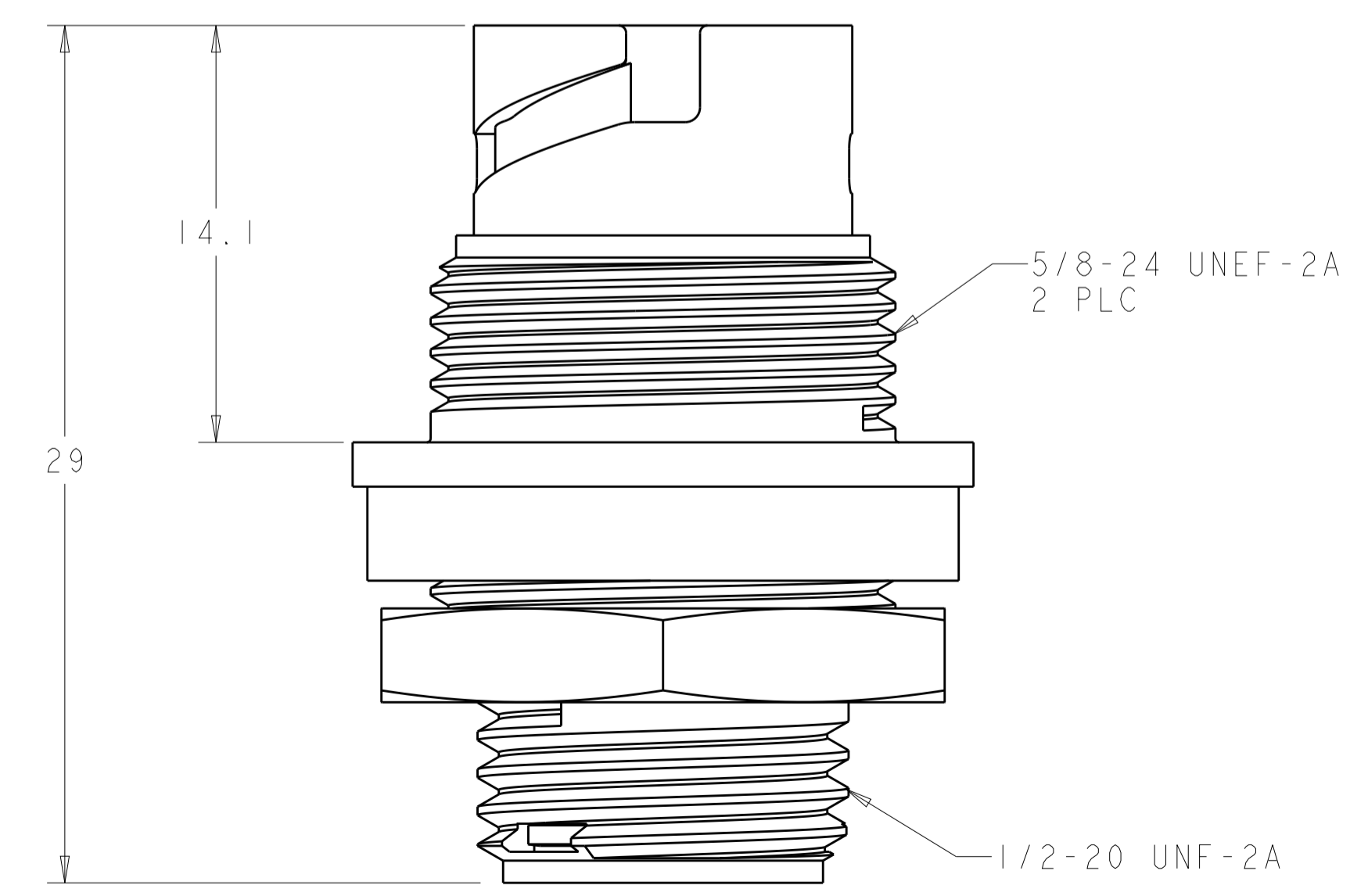


REVISIONS				
P.	LTN	DESCRIPTION	DATE	DWN APVD
B2		REVISED PER ECO-15-010004	11JUL2015	NK MZ
C		REVISED PER ECO-16-018352	24MAR2017	RS MZ



SECTION X-X

1. CONNECTOR CAN BE FRONT OR REAR PANEL MOUNTED.  
 △ MAX PANEL THICKNESS - 3.18



SUGGESTED PANEL CUTOUT △

OBSOLETE	YELLOW	Ø 0.75	130°	1445539-04
	NATURAL	Ø 1.5	115°	1445539-03
OBSOLETE	NATURAL	Ø 1.5	130°	1445539-02
	YELLOW	Ø 0.75	115°	1445539-01
	SEAL, WIRE ENTRY COLOR	Ø X REF	K REF	PART NUMBER

THIS DRAWING IS A CONTROLLED DOCUMENT.		DWN S WUEST 08MAY2001	TE Connectivity	
DIMENSIONS: mm		CHK G DOUTY 08MAY2001		
TOLERANCES UNLESS OTHERWISE SPECIFIED:		APVD H WAKEEM 13JUN2003	NAME ASSEMBLY, RECEPTACLE, SIZE 8, 1 POSITION, PANEL MOUNT, MINI CPC	
0 PLC ±0.5 1 PLC ±0.13 2 PLC ±0.13 3 PLC ±0.013 4 PLC ±0.001 ANGLES ±0.001		PRODUCT SPEC	SIZE CAGE CODE DRAWING NO	
MATERIAL SEE CALLOUT		APPLICATION SPEC	RESTRICTED TO	
		WEIGHT	A100779C=1445539	
		CUSTOMER DRAWING	SCALE 5:1 SHEET 1 OF 1 REV C	

单击下面可查看定价，库存，交付和生命周期等信息

[>>TE Connectivity\(泰科\)](#)