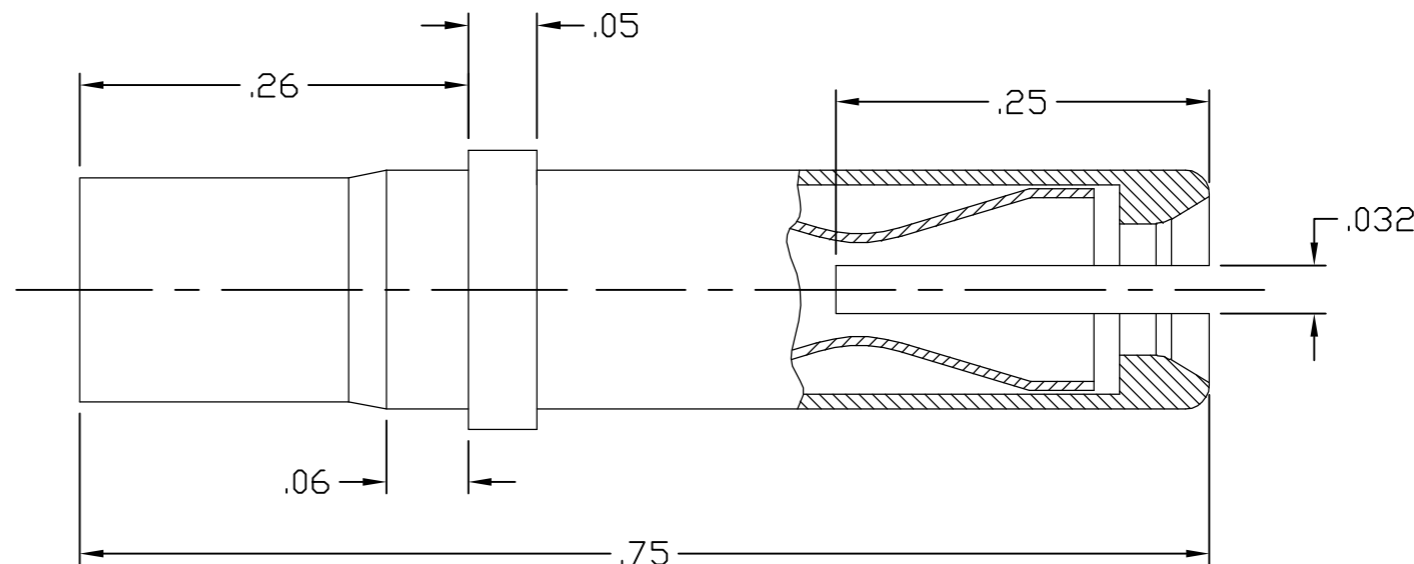
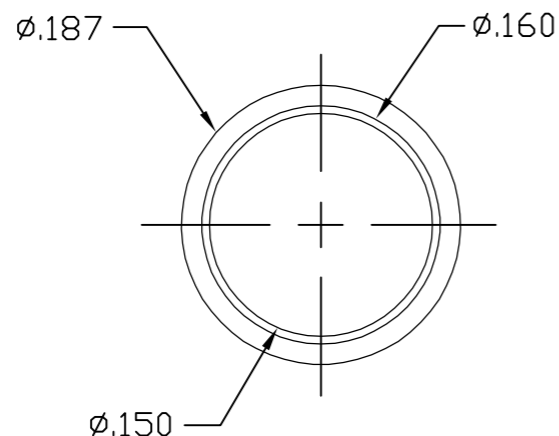


This drawing involves proprietary design rights of Tyco Electronics Corporation, and all design, manufacture, reproduction, use and sale rights regarding the same are expressly reserved. It is submitted for a specific purpose and the recipient by accepting this drawing, assumes custody and control and agrees to take reasonable precautions; (a) that this drawing will not be copied and reproduced, in whole or in part, or its contents revealed in any manner, or to any person except to meet the purpose for which it was delivered and (b) that any special features peculiar to this design will not be incorporated in other projects without the expressed written permission of Tyco Electronics Corporation.

REVISIONS			
EC	REV	DESCRIPTION	DATE
CPR	B	NEW RELEASE	3/27/07



5. ELCON EQUIVALENT SERIES 708-73-01109.
4. FOR TERMINATION, USE FOLLOWING EQUIPMENT:
 CRIMP TOOL: M22520/1-01
 LOCATOR: M22520/1-02
3. FINISHES:
 SOCKET CONTACT: GOLD PLATE, .000005 MIN THICK
 OVER NICKEL, .000040 MIN THICK
 CROWN BAND: GOLD PLATE, .000030 MIN THICK
 OVER NICKEL, .000040 MIN THICK
 HOOD: GOLD PLATE, .000010 MIN THICK OVER
 NICKEL, .000075 MIN THICK

2. MATERIAL:
 SOCKET CONTACT: COPPER ALLOY.
 CROWN BAND: COPPER ALLOY.
 HOOD: COPPER ALLOY.

1. PART NUMBER CHANGES AND OR DESIGN CHANGES AFFECTING ITEM INTERCHANGEABILITY REQUIRE PRIOR TYCO APPROVAL AND AUTHORIZATION BY REVISION TO THIS DRAWING.

NOTES: UNLESS OTHERWISE SPECIFIED

TYCO PART NUMBER
1648384-1

<p>THIRD ANGLE PROJECTION</p> <p>UNLESS OTHERWISE SPECIFIED DIMENSIONS ARE IN INCHES (METRIC)</p> <p>TOLERANCES</p> <p>ANGLES $\pm .5^\circ$</p> <p>DECIMALS</p> <p>.XXX $\pm .010$ (.25)</p> <p>.XX $\pm .02$ (.5)</p>	DRAWN R. F. A.	DATE 3/17/06	Tyco Electronics Corporation Menlo Park, Ca 94025	
	CHECKED			TITLE
	APPROVED S. FLICKINGER			CONTACT, SOCKET, SIZE #12 CRIMP REMOVABLE, HOT PLUG
	DCA APPROVED			SIZE DWG NUMBER REV. B C-1648384 B
ACAD FILE NUMBER		C1648384A.DWG	DWG SCALE 8=1 SH 1 OF 1	

单击下面可查看定价，库存，交付和生命周期等信息

[>>TE Connectivity\(泰科\)](#)