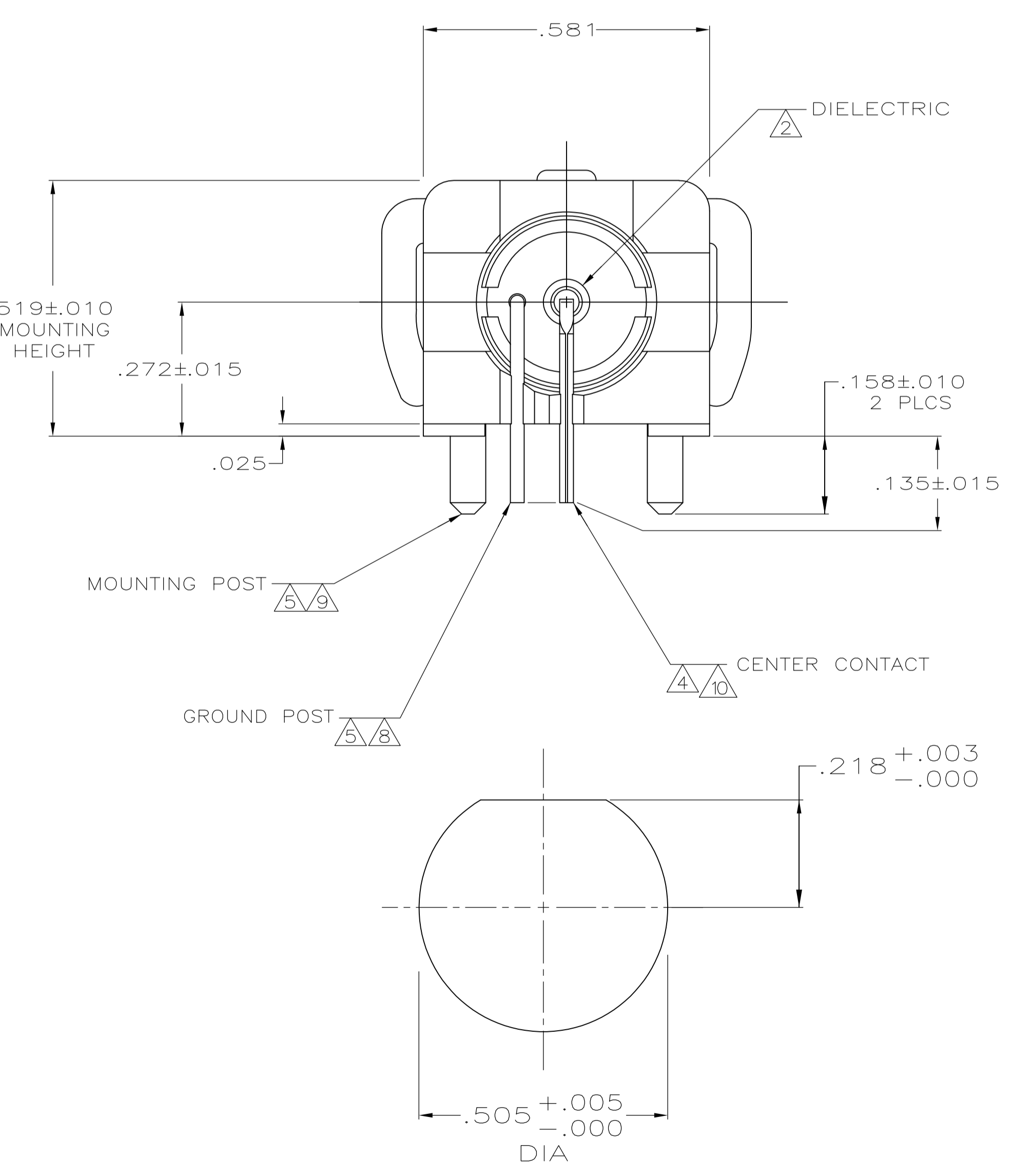
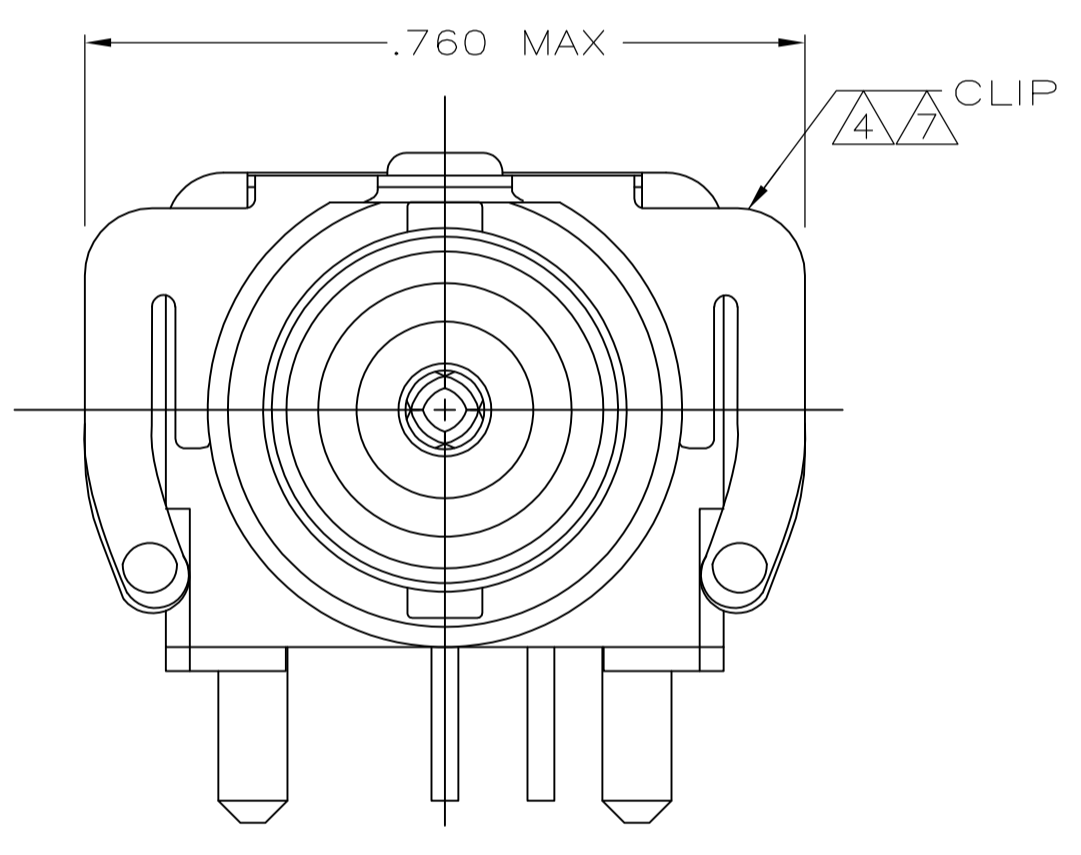
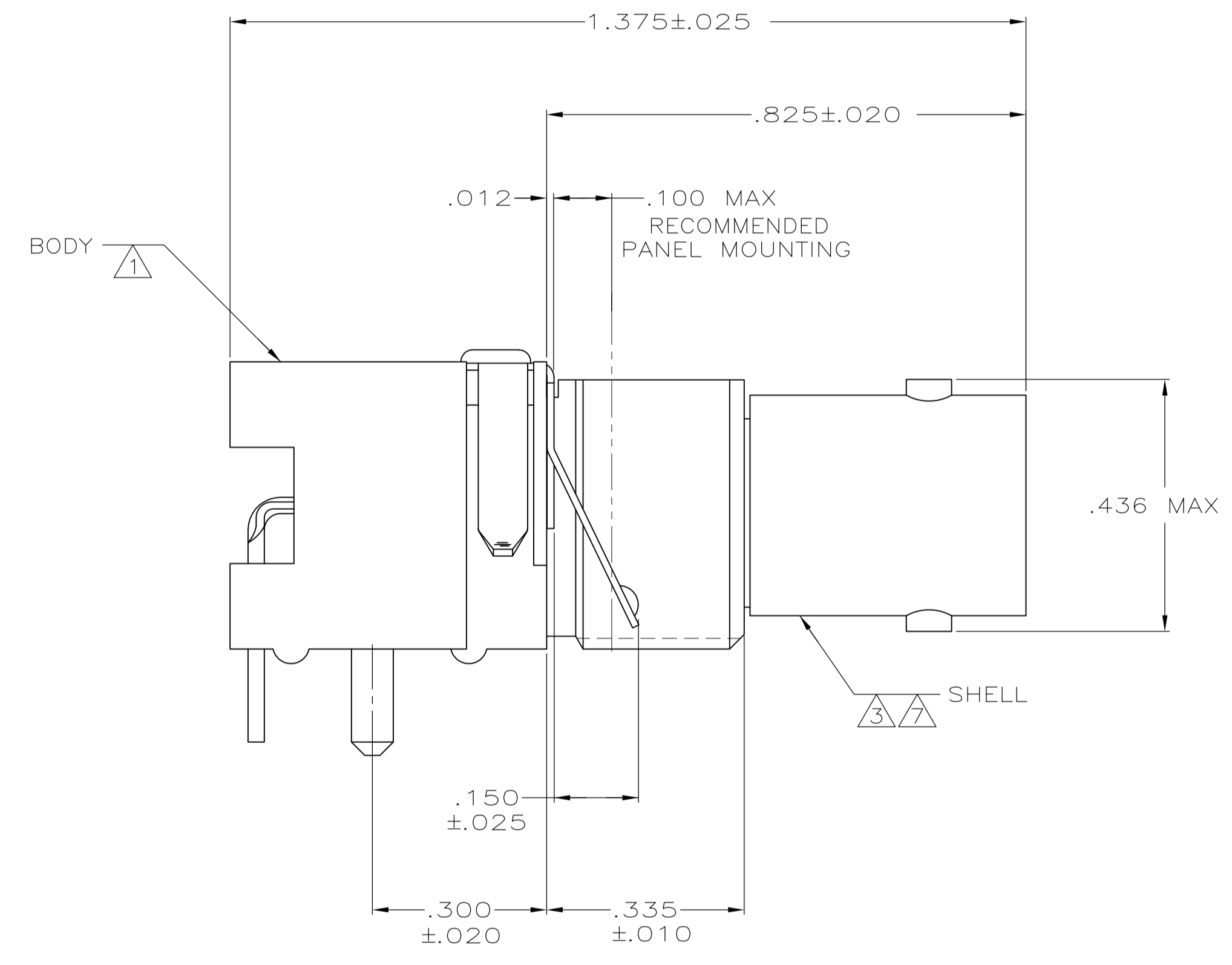
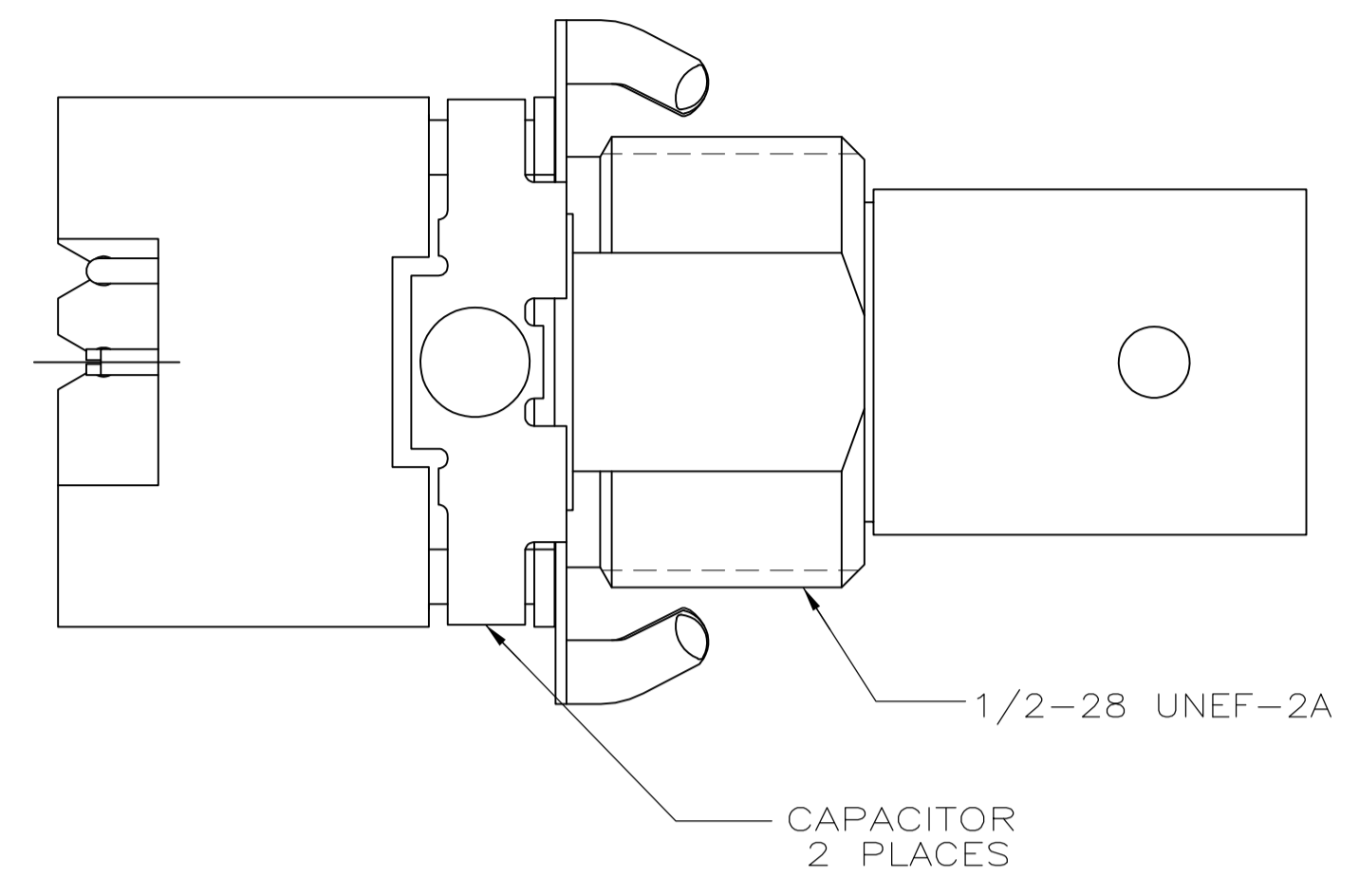


P.C.B. CONFIGURATION
SCALE=10:1



RECOMMENDED
PANEL CUTOUT



- ① POLYESTER,PBT,BLACK,PER MIL-M-24519
- ② POLYMETHYLPENTENE GENERAL PURPOSE
- ③ ZINC PER QQ-Z-363
- ④ PHOSPHOR BRONZE PER QQ-B-750
- ⑤ BRASS PER QQ-B-626
- ⑥ BRASS PER ASTM-B-453
- ⑦ NICKEL PL PER QQ-N-290
- ⑧ TIN PLATE PER ASTM-B-545
- ⑨ TIN PLATE PER ASTM-B-545
- ⑩ SELECTIVELY GOLD PLATED ON INTERFACE AREA PER: MIL-G-45204, .000030 THK,TIN PLATE ON SOLDER TAIL PER: ASTM-B-545, ALL OVER NICKEL PL PER: QQ-N-290

SUPERSEDED BY 414094-2	9400 pf, 1500 VDC	414094-2
	9400 pf, 500 VDC	414094-1
CAPACITANCE & VOLTAGE		PART NUMBER

THIS DRAWING IS A CONTROLLED DOCUMENT.		DIN M. SNEED 2-18-91	Tyco Electronics Corporation Harrisburg, PA 17105-3608	
DIMENSIONS: INCHES		CHK R. HENRY 2-18-91	NAME	
TOLERANCES UNLESS OTHERWISE SPECIFIED:		APVD R. HENRY 2-18-91	PRODUCT SPEC	
0 PLC ± -	1 PLC ± -	108-1269		
2 PLC ± -	3 PLC ± .008	APPLICATION SPEC		
4 PLC ± -	ANGLES ± -	SIZE	CAGE CODE	DRAWING NO
MATERIAL THRU ① ⑥	FINISH ⑦ ⑧ ⑨ ⑩	WEIGHT	A1 00779	④=414094
CUSTOMER DRAWING		SCALE	5:1	SHEET 1 OF 1 REV K

单击下面可查看定价，库存，交付和生命周期等信息

[>>TE Connectivity\(泰科\)](#)