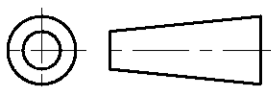


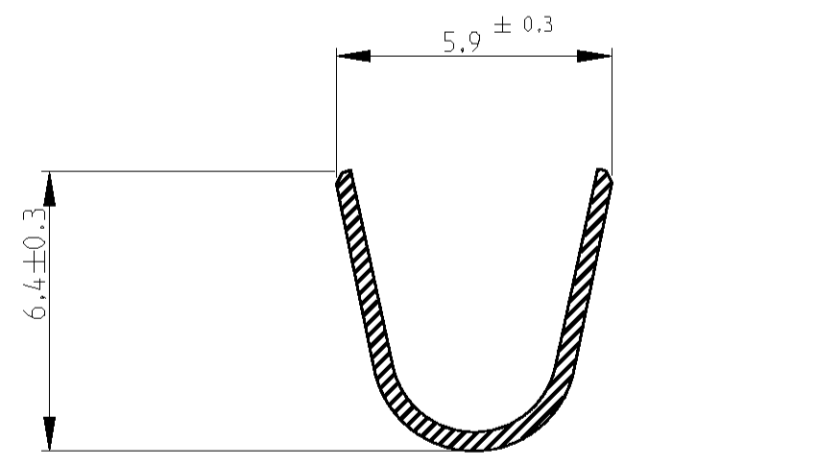
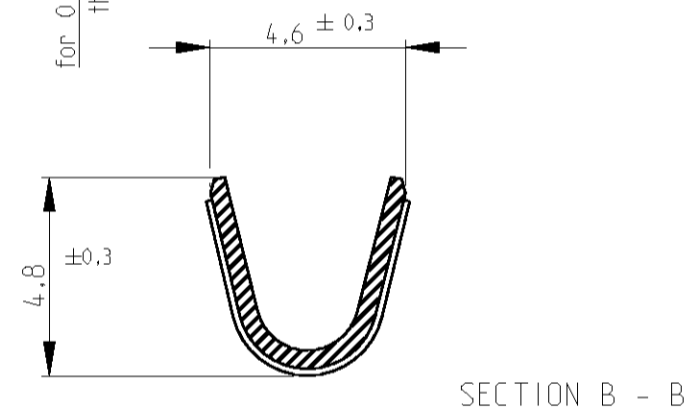
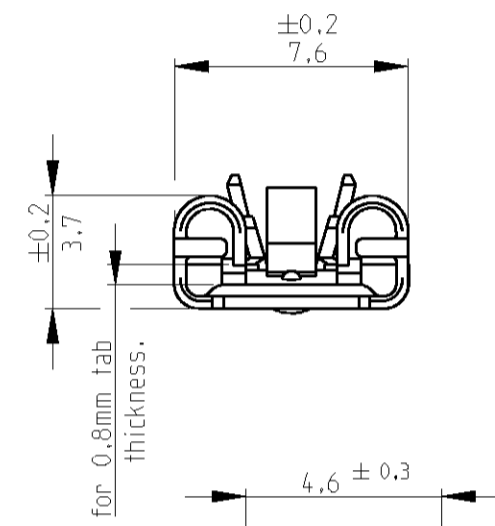
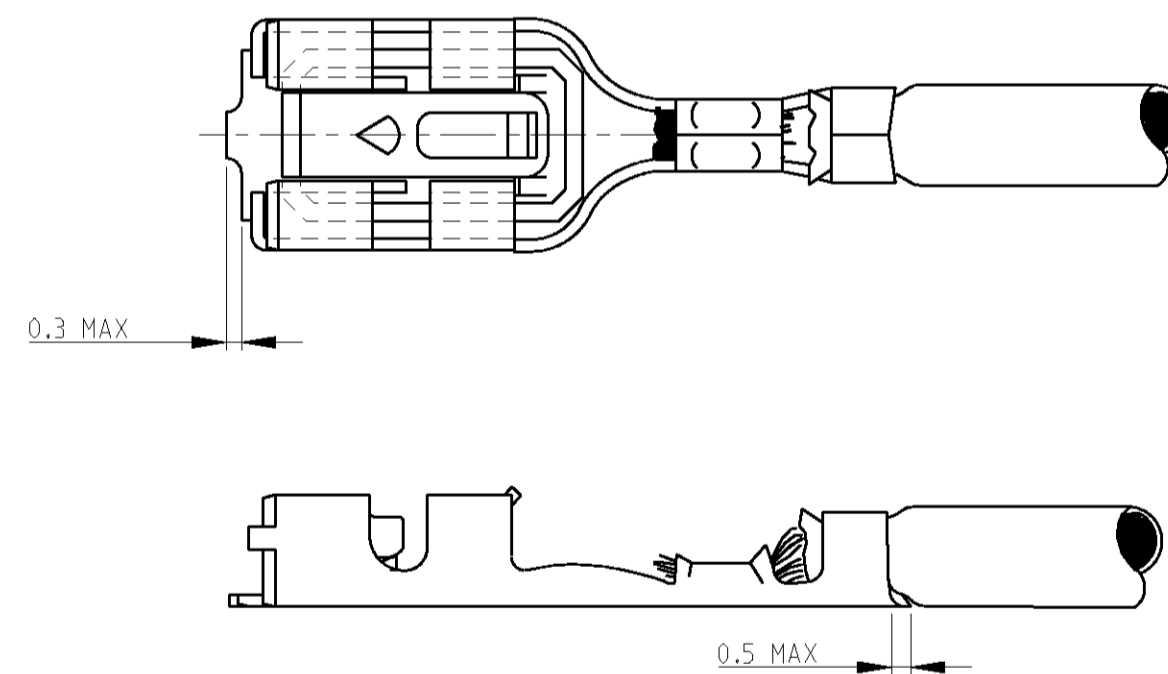
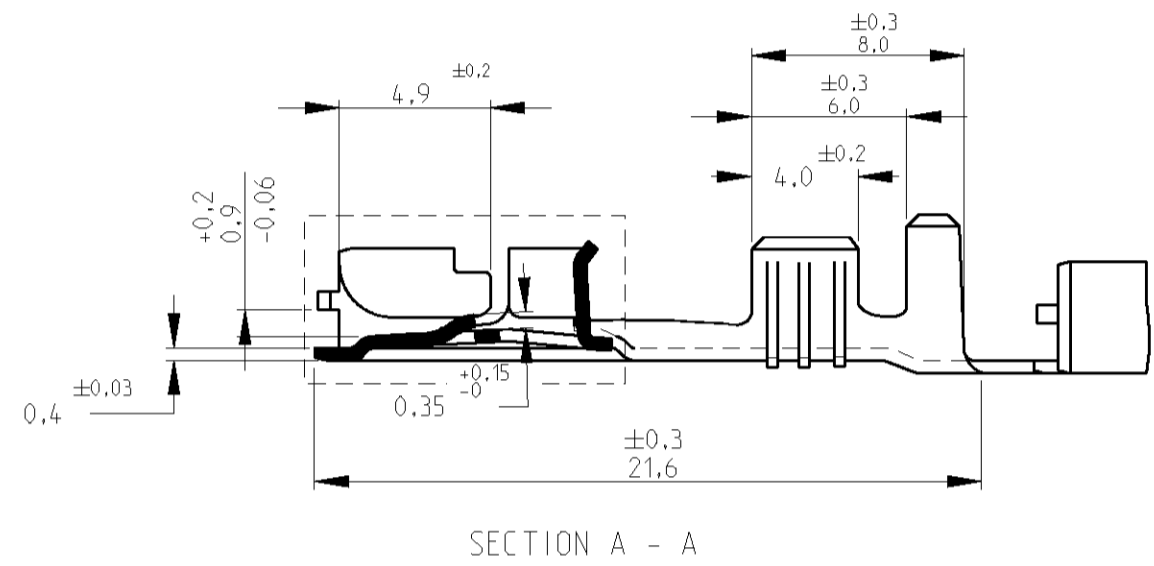
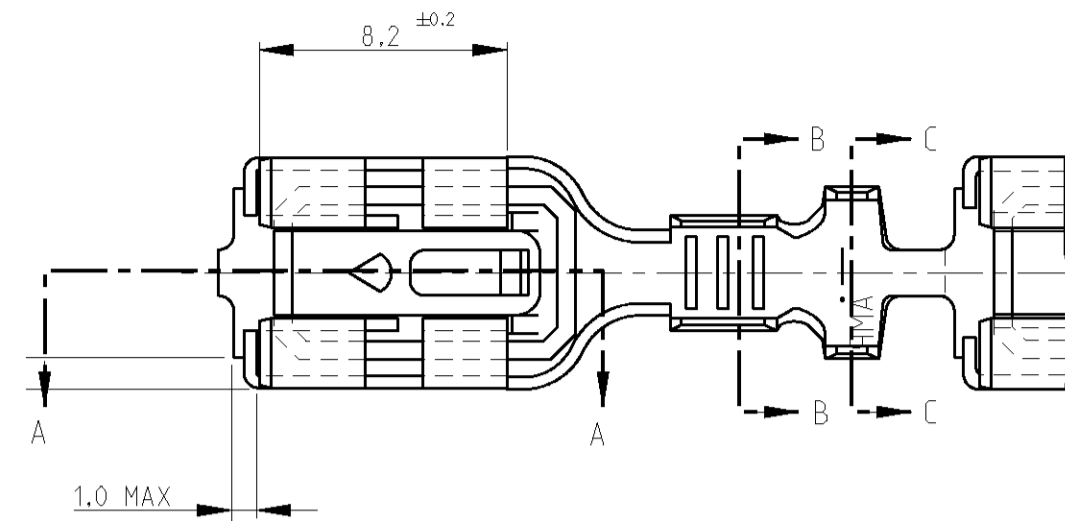
DO NOT SCALE
DIMENSIONS IN mm

METRIC

THIRD ANGLE
PROJECTION

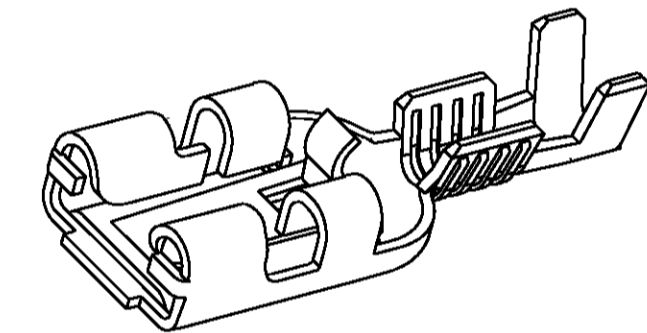


LOC	DIST	REVISIONS			
P	LTR	DESCRIPTION	DATE	DWN	APVD
AD	47	L1	REVISED PER ECO-09-026346	26NOV09	KK AEG



NOTES :

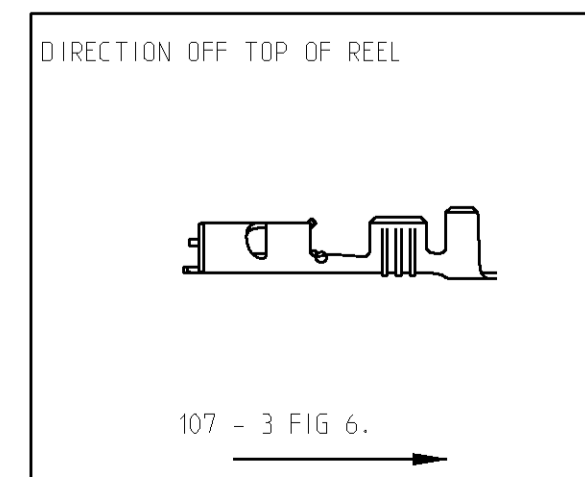
- FOR USE ON MINI HD APPLICATOR (LEFT - RIGHT FEED).
- TINPLATING THICKNESS .000080 MIN - .000400 MAX. (INCH).
- MATERIAL PH.BRONZE ACC ASTM B103 ALLOY 511.
- REAR ROLLING MUST TOUCH TAB.
- OBsolete PARTS: OBSOLETE CIS STREAMLINING PER D.RENAUD/D.SINISI**



WIRE	CRIMP HEIGHT	CRIMP WIDTH
3.0mm?	2.16mm	.130 'F'
3.5mm?	2.27mm	.130 'F'
4.0mm?	2.38mm	.130 'F'

LOOSE PIECE NR.	FINISH	MATERIAL	PARTNUMBER
100017-4	PRE-TINPLATED	PH.BRONZE	216331-4
100017-3	SILVERPLATED	PH.BRONZE	216331-3
100017-2	TINPLATED	PH.BRONZE	216331-2
100017-1	UNPLATED	PH.BRONZE	216331-1

OBsolete		tyco Electronics		TYCO ELECTRONICS AMP ESPAÑOLA S.A BARCELONA ESPAÑA	
CUSTOMER DRAWING		THIS DRAWING IS UNPUBLISHED		CUSTOMER DRAWING	
FOR REFERENCE ONLY WILL NOT BE UPDATED		© COPYRIGHT 2002 - BY AMP-ESPAÑOLA ALL INTERNATIONAL RIGHTS RESERVED. AMP PRODUCTS MAY BE COVERED BY U.S. AND FOREIGN PATENTS AND/OR PATENTS PENDING.			
DR.	DATE	WIRE RANGE	NAME	REV. DATE	
R.v.Lokven	24.04.89	+2.5-4.0mm?	.250 L.I.F AUTOMOTIVE POS LOCK REC MKII.	D	M Y
CHK.	DATE	INSUL.RANGE		2611 09	
R.v.Lokven	24.04.89	3.0-4.2 DIA			
APP.	DATE	SIZE	SHEET	DWG. No.	REV.LTR.
L.v.Soest	26-11-89	A2	1 OF 1	C-216331	L1



单击下面可查看定价，库存，交付和生命周期等信息

[>>TE Connectivity\(泰科\)](#)