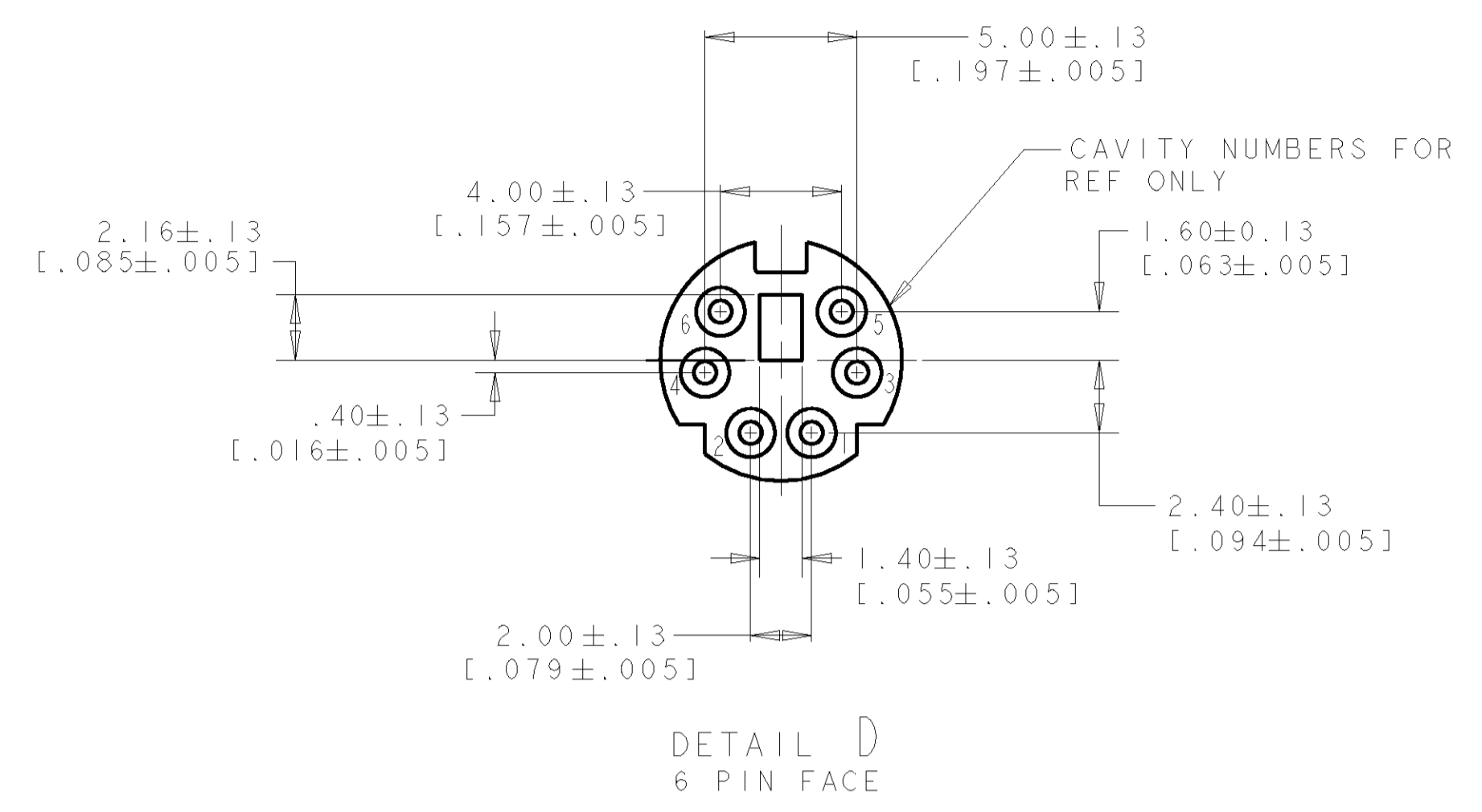
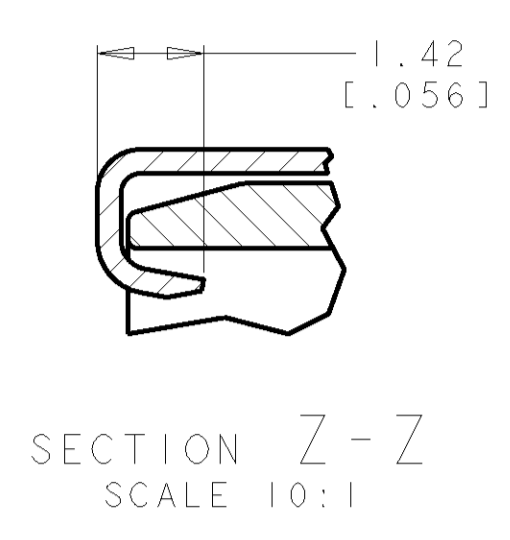
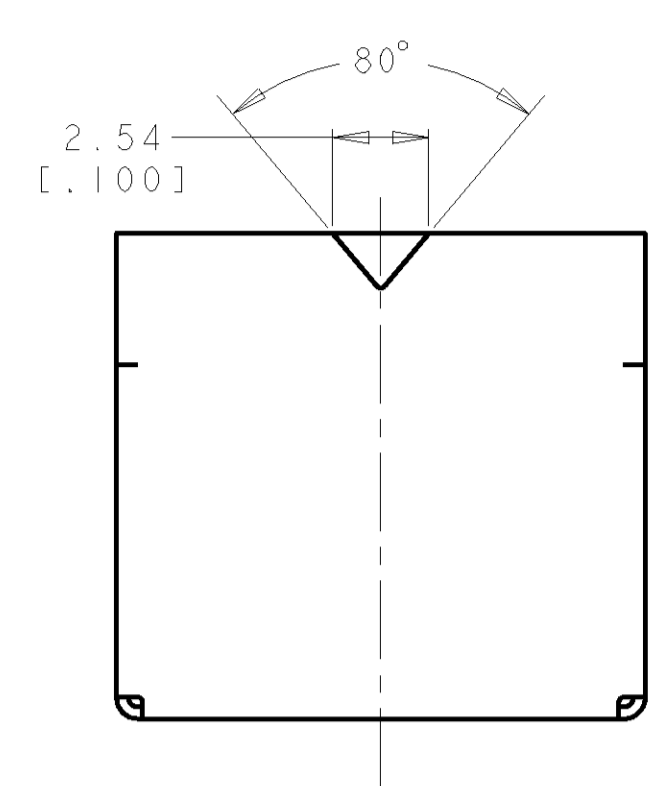
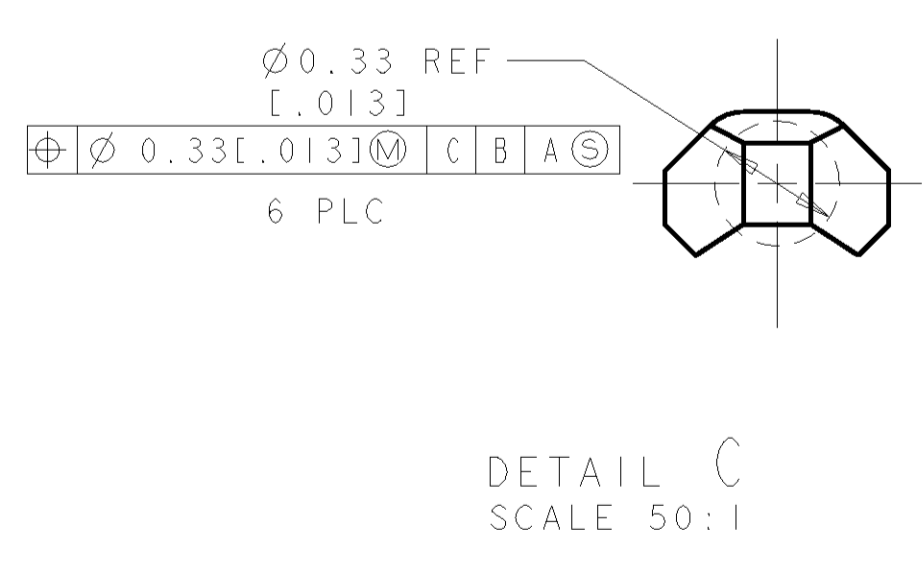
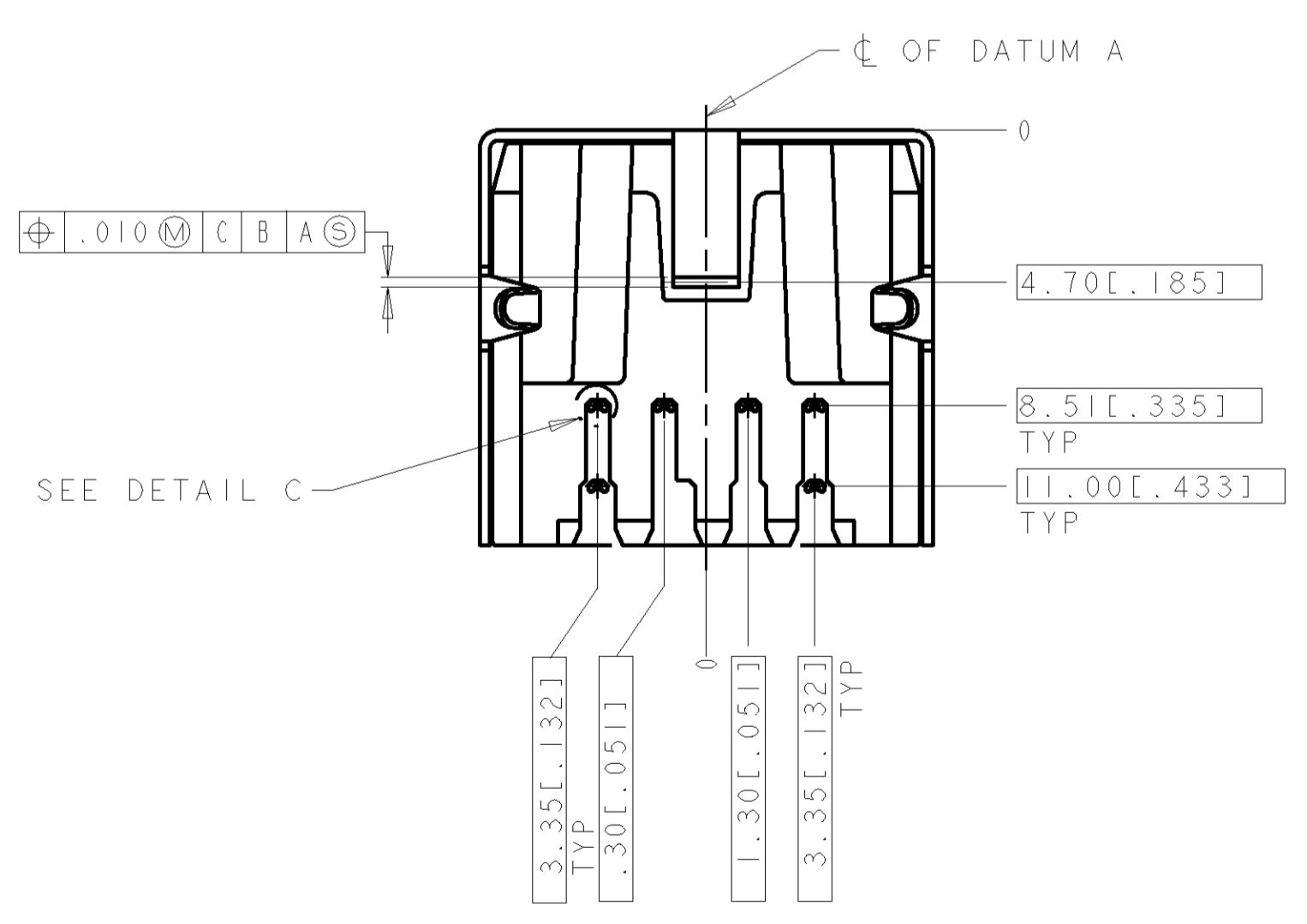
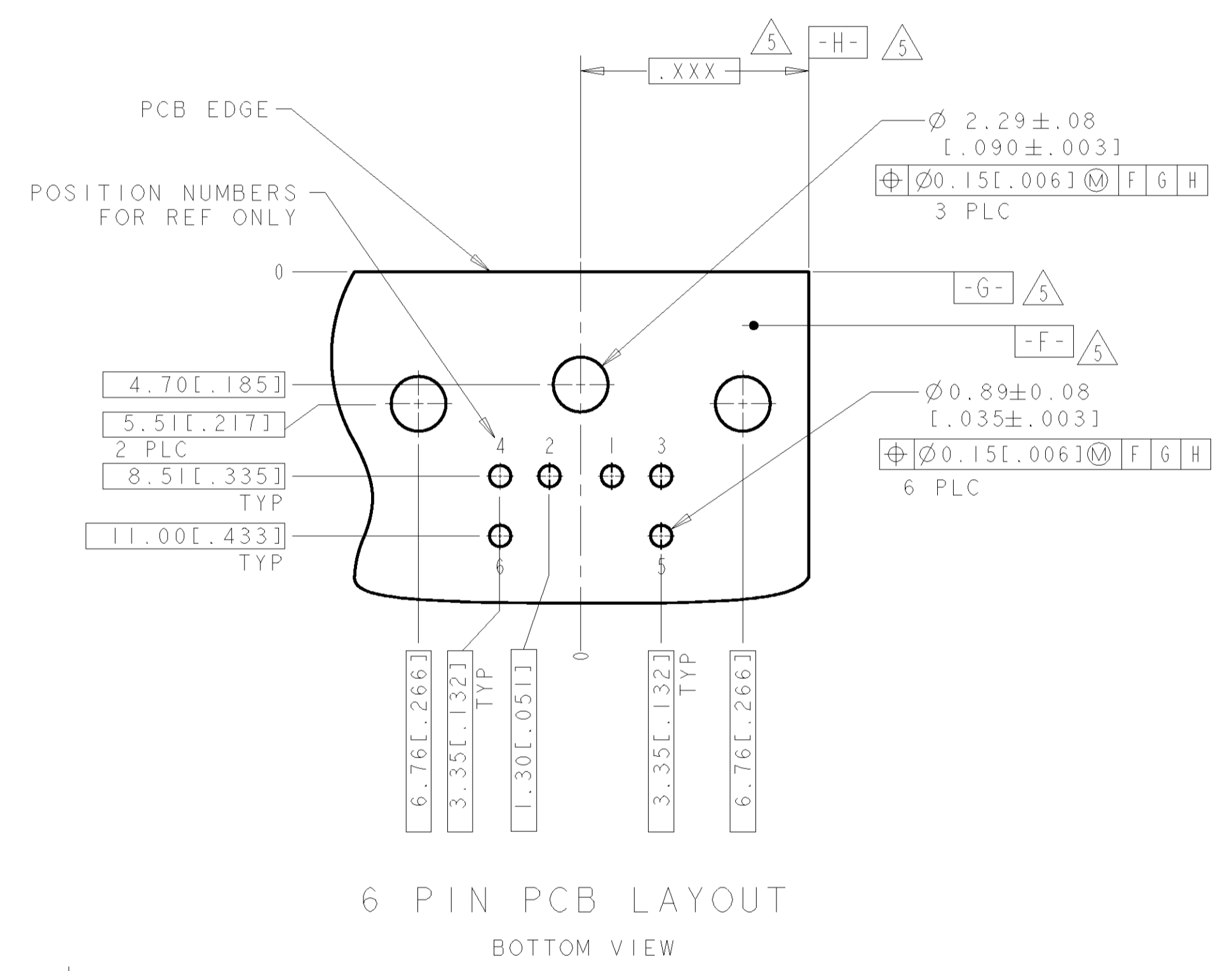
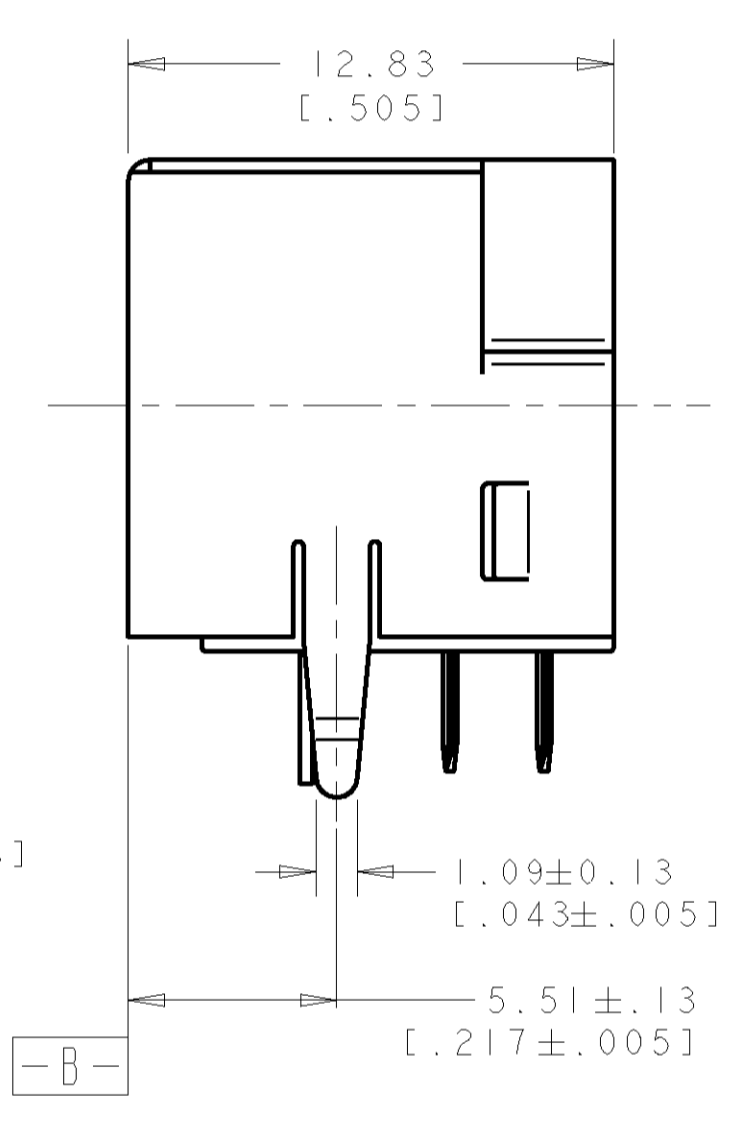
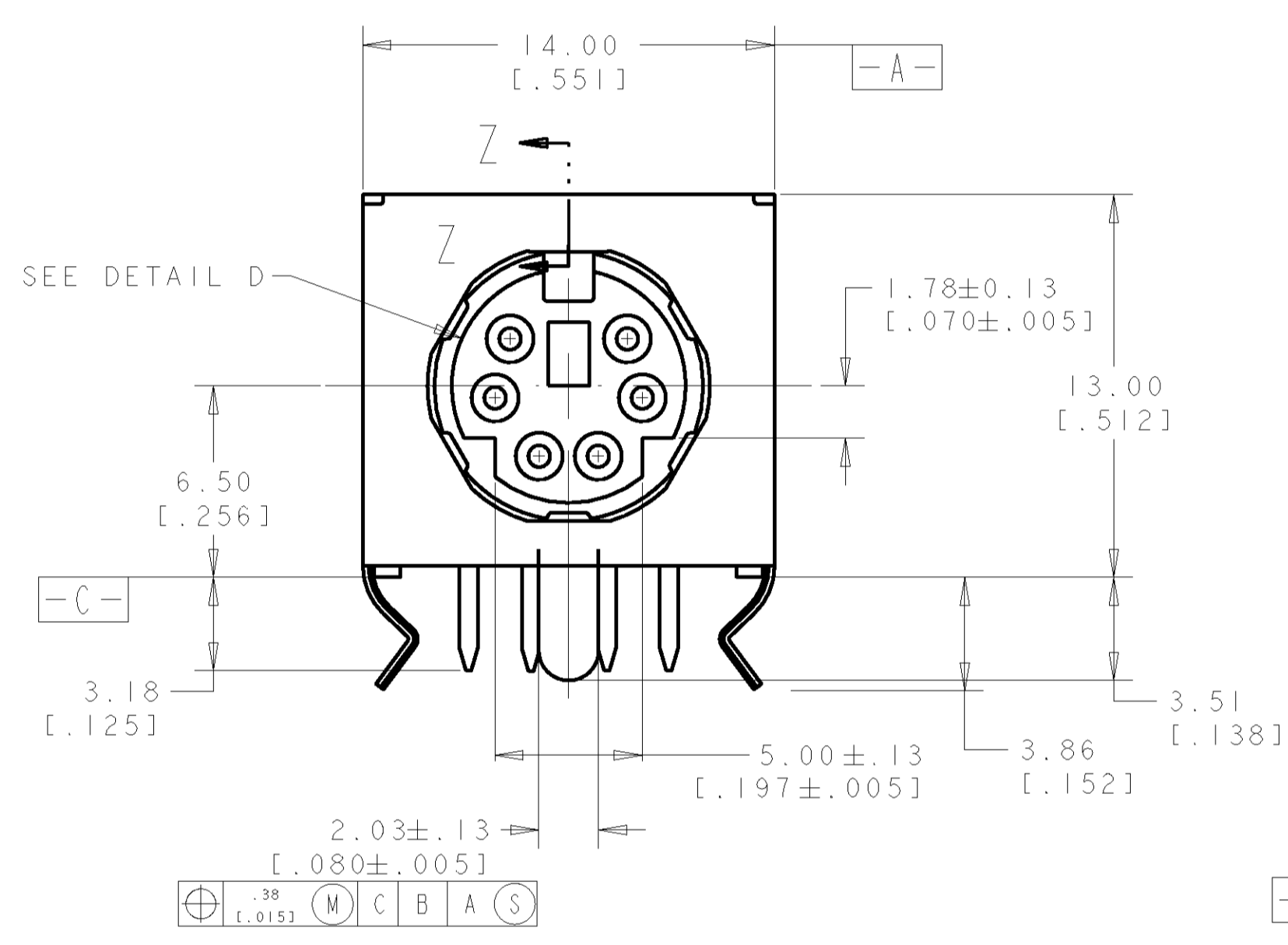


LOC	DIST	REVISIONS			
BY	DATE	DESCRIPTION	DATE	DNM	APRD
P		REVISED PER ECO-11-005139	19MAR11	RK	HMR



- ⚠ RECEPTACLE CONTACTS: COPPER ALLOY.
RECEPTACLE SHIELD: COPPER ALLOY.
HOUSING: THERMOPLASTIC, BLACK, 94V-0 RATED.
- ⚠ PLATING:
RECEPTACLE CONTACTS - GOLD FLASH PLATED ON MATING END, MATTE-TIN PLATED .0030 MIN [.000120 MIN] THICK ON SOLDER TAIL ALL OVER .0013 MIN [.000050 MIN] THICK NICKEL.
- ⚠ PLATING:
SHIELD: PRE-TIN PLATED
- 4. RECEPTACLE ASSEMBLY MATES WITH 6 PIN 9.00 ± 0.10 [.354 ± 0.004] DIAMETER PLUG.
- ⚠ DATUMS AND BASIC DIMENSION SUPPLIED BY CUSTOMER.



P/N: 5749231-1 AS SHOWN

DIMENSIONS: mm [INCHES]		TOLERANCES UNLESS OTHERWISE SPECIFIED:		DW: WYLLIE 03JAN2005		CS: SF LEONG		APRD: SF LEONG		NAME: RECEPTACLE ASSY W/ HOLD DOWN, 6 POS., RIGHT ANGLE, MINIATURE CIRCULAR DIN	
0 PLC	±	1 PLC	±	2 PLC	±	3 PLC	±	4 PLC	±	5 PLC	±
6 PLC	±	7 PLC	±	8 PLC	±	9 PLC	±	10 PLC	±	11 PLC	±
12 PLC	±	13 PLC	±	14 PLC	±	15 PLC	±	16 PLC	±	17 PLC	±
18 PLC	±	19 PLC	±	20 PLC	±	21 PLC	±	22 PLC	±	23 PLC	±
24 PLC	±	25 PLC	±	26 PLC	±	27 PLC	±	28 PLC	±	29 PLC	±
30 PLC	±	31 PLC	±	32 PLC	±	33 PLC	±	34 PLC	±	35 PLC	±
36 PLC	±	37 PLC	±	38 PLC	±	39 PLC	±	40 PLC	±	41 PLC	±
42 PLC	±	43 PLC	±	44 PLC	±	45 PLC	±	46 PLC	±	47 PLC	±
48 PLC	±	49 PLC	±	50 PLC	±	51 PLC	±	52 PLC	±	53 PLC	±
54 PLC	±	55 PLC	±	56 PLC	±	57 PLC	±	58 PLC	±	59 PLC	±
60 PLC	±	61 PLC	±	62 PLC	±	63 PLC	±	64 PLC	±	65 PLC	±
66 PLC	±	67 PLC	±	68 PLC	±	69 PLC	±	70 PLC	±	71 PLC	±
72 PLC	±	73 PLC	±	74 PLC	±	75 PLC	±	76 PLC	±	77 PLC	±
78 PLC	±	79 PLC	±	80 PLC	±	81 PLC	±	82 PLC	±	83 PLC	±
84 PLC	±	85 PLC	±	86 PLC	±	87 PLC	±	88 PLC	±	89 PLC	±
90 PLC	±	91 PLC	±	92 PLC	±	93 PLC	±	94 PLC	±	95 PLC	±
96 PLC	±	97 PLC	±	98 PLC	±	99 PLC	±	100 PLC	±	101 PLC	±
102 PLC	±	103 PLC	±	104 PLC	±	105 PLC	±	106 PLC	±	107 PLC	±
108 PLC	±	109 PLC	±	110 PLC	±	111 PLC	±	112 PLC	±	113 PLC	±
114 PLC	±	115 PLC	±	116 PLC	±	117 PLC	±	118 PLC	±	119 PLC	±
120 PLC	±	121 PLC	±	122 PLC	±	123 PLC	±	124 PLC	±	125 PLC	±
126 PLC	±	127 PLC	±	128 PLC	±	129 PLC	±	130 PLC	±	131 PLC	±
132 PLC	±	133 PLC	±	134 PLC	±	135 PLC	±	136 PLC	±	137 PLC	±
138 PLC	±	139 PLC	±	140 PLC	±	141 PLC	±	142 PLC	±	143 PLC	±
144 PLC	±	145 PLC	±	146 PLC	±	147 PLC	±	148 PLC	±	149 PLC	±
150 PLC	±	151 PLC	±	152 PLC	±	153 PLC	±	154 PLC	±	155 PLC	±
156 PLC	±	157 PLC	±	158 PLC	±	159 PLC	±	160 PLC	±	161 PLC	±
162 PLC	±	163 PLC	±	164 PLC	±	165 PLC	±	166 PLC	±	167 PLC	±
168 PLC	±	169 PLC	±	170 PLC	±	171 PLC	±	172 PLC	±	173 PLC	±
174 PLC	±	175 PLC	±	176 PLC	±	177 PLC	±	178 PLC	±	179 PLC	±
180 PLC	±	181 PLC	±	182 PLC	±	183 PLC	±	184 PLC	±	185 PLC	±
186 PLC	±	187 PLC	±	188 PLC	±	189 PLC	±	190 PLC	±	191 PLC	±
192 PLC	±	193 PLC	±	194 PLC	±	195 PLC	±	196 PLC	±	197 PLC	±
198 PLC	±	199 PLC	±	200 PLC	±	201 PLC	±	202 PLC	±	203 PLC	±
204 PLC	±	205 PLC	±	206 PLC	±	207 PLC	±	208 PLC	±	209 PLC	±
210 PLC	±	211 PLC	±	212 PLC	±	213 PLC	±	214 PLC	±	215 PLC	±
216 PLC	±	217 PLC	±	218 PLC	±	219 PLC	±	220 PLC	±	221 PLC	±
222 PLC	±	223 PLC	±	224 PLC	±	225 PLC	±	226 PLC	±	227 PLC	±
228 PLC	±	229 PLC	±	230 PLC	±	231 PLC	±	232 PLC	±	233 PLC	±
234 PLC	±	235 PLC	±	236 PLC	±	237 PLC	±	238 PLC	±	239 PLC	±
240 PLC	±	241 PLC	±	242 PLC	±	243 PLC	±	244 PLC	±	245 PLC	±
246 PLC	±	247 PLC	±	248 PLC	±	249 PLC	±	250 PLC	±	251 PLC	±
252 PLC	±	253 PLC	±	254 PLC	±	255 PLC	±	256 PLC	±	257 PLC	±
258 PLC	±	259 PLC	±	260 PLC	±	261 PLC	±	262 PLC	±	263 PLC	±
264 PLC	±	265 PLC	±	266 PLC	±	267 PLC	±	268 PLC	±	269 PLC	±
270 PLC	±	271 PLC	±	272 PLC	±	273 PLC	±	274 PLC	±	275 PLC	±
276 PLC	±	277 PLC	±	278 PLC	±	279 PLC	±	280 PLC	±	281 PLC	±
282 PLC	±	283 PLC	±	284 PLC	±	285 PLC	±	286 PLC	±	287 PLC	±
288 PLC	±	289 PLC	±	290 PLC	±	291 PLC	±	292 PLC	±	293 PLC	±
294 PLC	±	295 PLC	±	296 PLC	±	297 PLC	±	298 PLC	±	299 PLC	±
300 PLC	±	301 PLC	±	302 PLC	±	303 PLC	±	304 PLC	±	305 PLC	±
306 PLC	±	307 PLC	±	308 PLC	±	309 PLC	±	310 PLC	±	311 PLC	±
312 PLC	±	313 PLC	±	314 PLC	±	315 PLC	±	316 PLC	±	317 PLC	±
318 PLC	±	319 PLC	±	320 PLC	±	321 PLC	±	322 PLC	±	323 PLC	±
324 PLC	±	325 PLC	±	326 PLC	±	327 PLC	±	328 PLC	±	329 PLC	±
330 PLC	±	331 PLC	±	332 PLC	±	333 PLC	±	334 PLC	±	335 PLC	±
336 PLC	±	337 PLC	±	338 PLC	±	339 PLC	±	340 PLC	±	341 PLC	±
342 PLC	±	343 PLC	±	344 PLC	±	345 PLC	±	346 PLC	±	347 PLC	±
348 PLC	±	349 PLC	±	350 PLC	±	351 PLC	±	352 PLC	±	353 PLC	±
354 PLC	±	355 PLC	±	356 PLC	±	357 PLC	±	358 PLC	±	359 PLC	±
360 PLC	±	361 PLC	±	362 PLC	±	363 PLC	±	364 PLC	±	365 PLC	±
366 PLC	±	367 PLC	±	368 PLC	±	369 PLC	±	370 PLC	±	371 PLC	±
372 PLC	±	373 PLC	±	374 PLC	±	375 PLC	±	376 PLC	±	377 PLC	±
378 PLC	±	379 PLC	±	380 PLC	±	381 PLC	±	382 PLC	±	383 PLC	±
384 PLC	±	385 PLC	±	386 PLC	±	387 PLC	±	388 PLC	±	389 PLC	±
390 PLC	±	391 PLC	±	392 PLC	±	393 PLC	±	394 PLC	±	395 PLC	±
396 PLC	±	397 PLC	±	398 PLC	±	399 PLC	±	400 PLC	±	401 PLC	±
402 PLC	±	403 PLC	±	404 PLC	±	405 PLC	±	406 PLC	±	407 PLC	±
408 PLC	±	409 PLC	±	410 PLC	±	411 PLC	±	412 PLC	±	413 PLC	±
414 PLC	±	415 PLC	±	416 PLC	±	417 PLC	±	418 PLC	±	419 PLC	±
420 PLC	±	421 PLC	±	422 PLC	±	423 PLC	±	424 PLC	±	425 PLC	±
426 PLC	±	427 PLC	±	428 PLC	±	429 PLC	±	430 PLC	±	431 PLC	±
432 PLC	±	433 PLC	±	434 PLC	±	435 PLC	±	436 PLC	±	437 PLC	±
438 PLC	±	439 PLC	±	440 PLC	±	441 PLC	±	442 PLC	±	443 PLC	±
444 PLC	±	445 PLC	±	446 PLC	±	447 PLC	±	448 PLC	±	449 PLC	±
450 PLC	±	451 PLC	±	452 PLC	±	453 PLC	±	454 PLC	±	455 PLC	±
456 PLC	±	457 PLC	±	458 PLC	±	459 PLC	±	460 PLC	±	461 PLC	±
462 PLC	±	463 PLC	±	464 PLC	±	465 PLC	±	466 PLC	±	467 PLC	±
468 PLC	±	469 PLC	±	470 PLC	±	471 PLC	±	472 PLC	±	473 PLC	±
474 PLC	±	475 PLC	±	476 PLC	±	477 PLC	±	478 PLC	±	479 PLC	±
480 PLC	±	481 PLC	±	482 PLC	±	483 PLC	±	484 PLC	±	485 PLC	±
486 PLC	±	487 PLC	±	488 PLC	±	489 PLC	±	490 PLC	±	491 PLC	±
492 PLC	±	493 PLC	±	494 PLC	±	495 PLC	±	496 PLC	±	497 PLC	±
498 PLC	±	499 PLC	±	500 PLC	±	501 PLC	±	502 PLC	±	503 PLC	±
504 PLC	±	505 PLC	±	506 PLC	±	507 PLC	±	508 PLC	±	509 PLC	±
510 PLC	±	511 PLC	±	512 PLC	±	513 PLC	±	514 PLC	±	515 PLC	±
516 PLC	±	517 PLC	±	518 PLC	±	519 PLC	±	520 PLC	±	521 PLC	±
522 PLC	±	523 PLC	±	524 PLC	±	525 PLC	±	526 PLC	±	527 PLC	±
528 PLC	±	529 PLC	±	530 PLC	±	531 PLC	±	532 PLC	±	533 PLC	±
534 PLC	±	535 PLC	±	536 PLC	±	537 PLC	±	538 PLC	±	539 PLC	±
540 PLC	±	541 PLC	±	542 PLC	±	543 PLC	±	544 PLC	±	545 PLC	±
546 PLC	±	547 PLC	±	548 PLC	±	549 PLC	±	550 PLC	±	551 PLC	±
552 PLC	±	553 PLC	±	554 PLC	±	555 PLC	±	556 PLC	±	557 PLC	±
558 PLC	±	559 PLC	±	560 PLC	±	561 PLC	±	562 PLC	±	563 PLC	±
564 PLC	±	565 PLC	±	566 PLC	±	567 PLC	±	568 PLC	±	569 PLC	±
570 PLC	±	571 PLC	±	572 PLC	±	573 PLC	±	574 PLC	±	575 PLC	±
576 PLC	±	577 PLC	±	578 PLC	±	579 PLC	±	580 PLC	±	581 PLC	±
582 PLC	±	583 PLC	±	584 PLC	±	585 PLC	±	586 PLC	±	587 PLC	±
588 PLC	±	589 PLC	±	590 PLC	±	591 PLC	±	592 PLC	±	593 PLC	±

单击下面可查看定价，库存，交付和生命周期等信息

[>>TE Connectivity\(泰科\)](#)