

THIS DRAWING IS UNPUBLISHED.

RELEASED FOR PUBLICATION

© COPYRIGHT - TE Connectivity Ltd.

ALL RIGHTS RESERVED.

REVISIONS

P	LTR	DESCRIPTION	DATE	DWN	APVD
	A1	CUTTING BURR DETAILS ADDED	19NOV2018	RK	PS

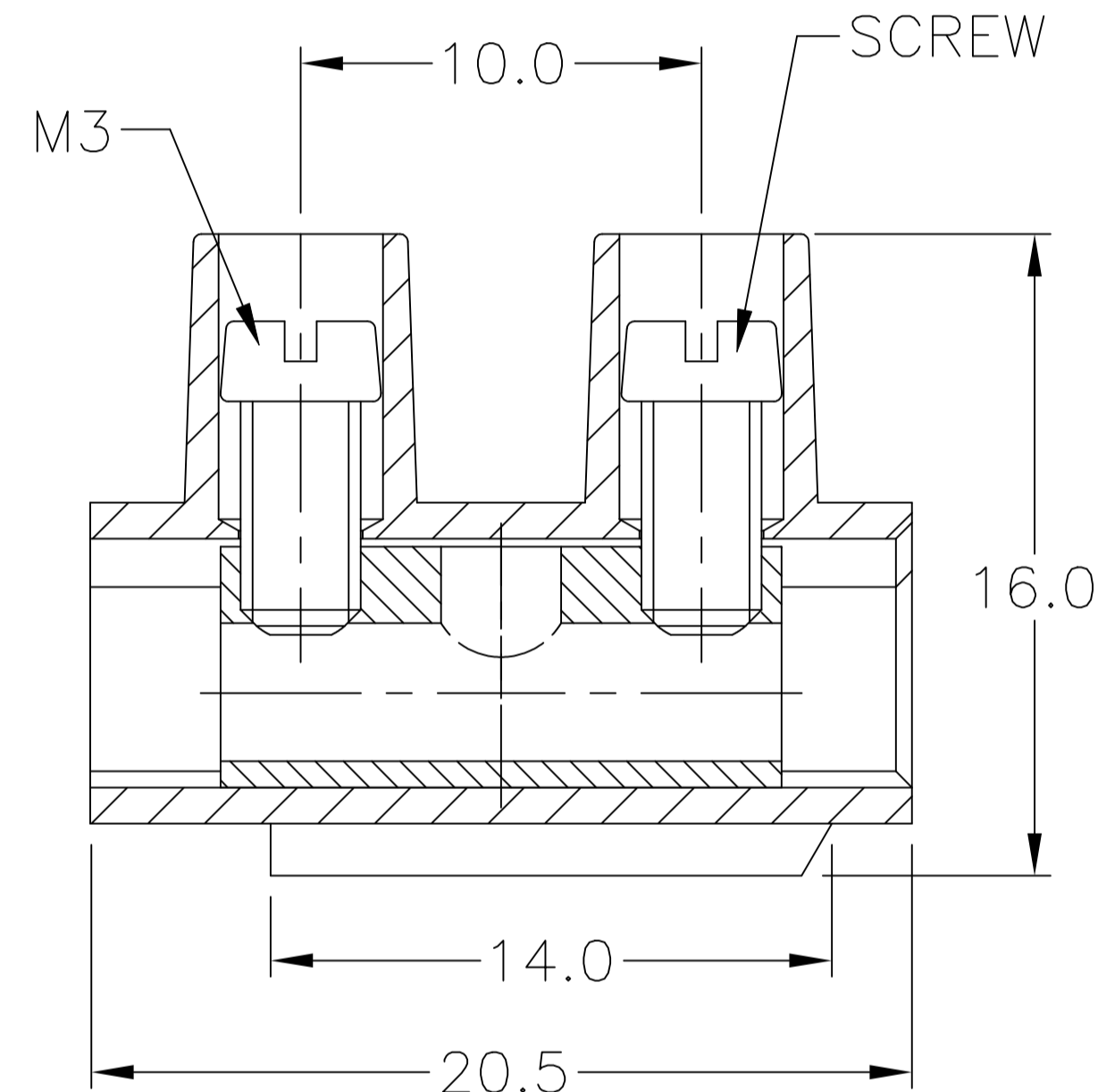
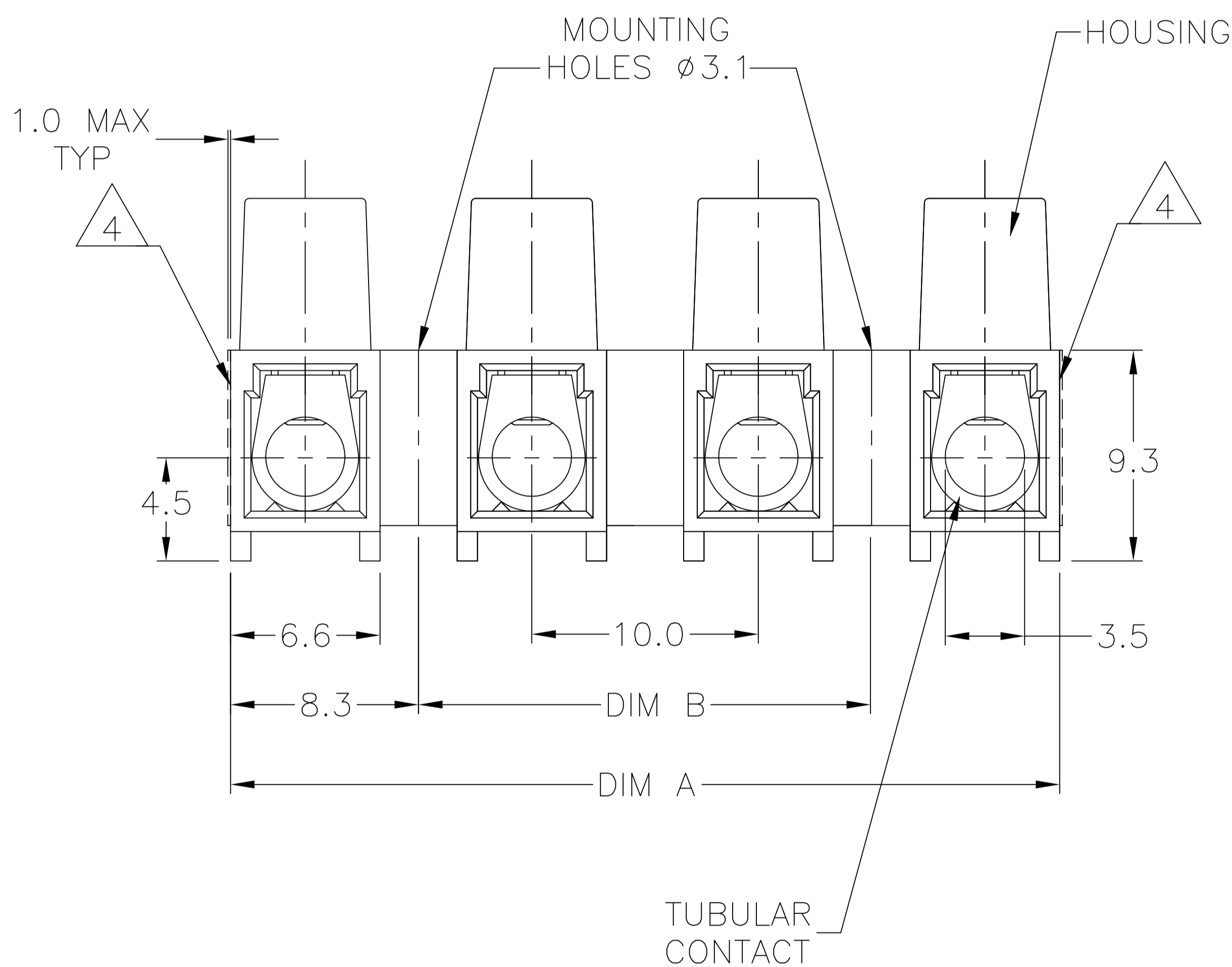
- MATERIAL:
HOUSING: POLYAMIDE 6, UL94V-0.
COLOR: BROWN
CONTACT: BRASS, TIN PLATED.
SCREW: M3, STEEL, ZINC PLATED W/ NON-HEXAVALENT CHROMATE (CHROME III).

- ELECTRICAL:
CURRENT RATING: 30A.
OPERATING VOLTAGE: 250V.
WIRE RANGE: 10-22 AWG.
DIELECTRIC WITHSTAND: 3500V.

- ENVIRONMENT:
CONTINUOUS WORKING TEMP.: -35°C TO +100°C

△ CUTTING PROJECTION CAN BE ON BOTH SIDES DEPENDING ON CUTTING LOCATION.

- CUTTING BURR MAX. 1mm ALLOWED.



40.0	56.6	6	TSB500 0631HT	1776878-6
DIM B	DIM A	NO. OF POS.	CATALOG NUMBER	TE PART NUMBER

THIS DRAWING IS A CONTROLLED DOCUMENT.		DWN S SCHLEGEL 8/4/06	STE TE Connectivity Ltd.											
DIMENSIONS: mm		CHK C RICHARD 8/4/06												
TOLERANCES UNLESS OTHERWISE SPECIFIED:		APVD C RICHARD 8/4/06	EUROPA TERMINAL BLOCK, 10.0mm PITCH, MOUNTING HOLES 3.1 DIA, HIGH TEMP											
<table border="0"> <tr><td>0 PLC</td><td>± -</td></tr> <tr><td>1 PLC</td><td>± 0.3</td></tr> <tr><td>2 PLC</td><td>± 0.25</td></tr> <tr><td>3 PLC</td><td>± -</td></tr> <tr><td>4 PLC</td><td>± -</td></tr> <tr><td>ANGLES</td><td>± 2'</td></tr> </table>		0 PLC			± -	1 PLC	± 0.3	2 PLC	± 0.25	3 PLC	± -	4 PLC	± -	ANGLES
0 PLC	± -													
1 PLC	± 0.3													
2 PLC	± 0.25													
3 PLC	± -													
4 PLC	± -													
ANGLES	± 2'													
MATERIAL SEE NOTES		FINISH SEE NOTES	NAME											
		WEIGHT -	SIZE A3	CAGE CODE 00779										
		CUSTOMER DRAWING	DRAWING NO C=1776878	RESTRICTED TO -										
		SCALE NTS	SHEET 1 OF 1	REV A1										

单击下面可查看定价，库存，交付和生命周期等信息

[>>TE Connectivity\(泰科\)](#)