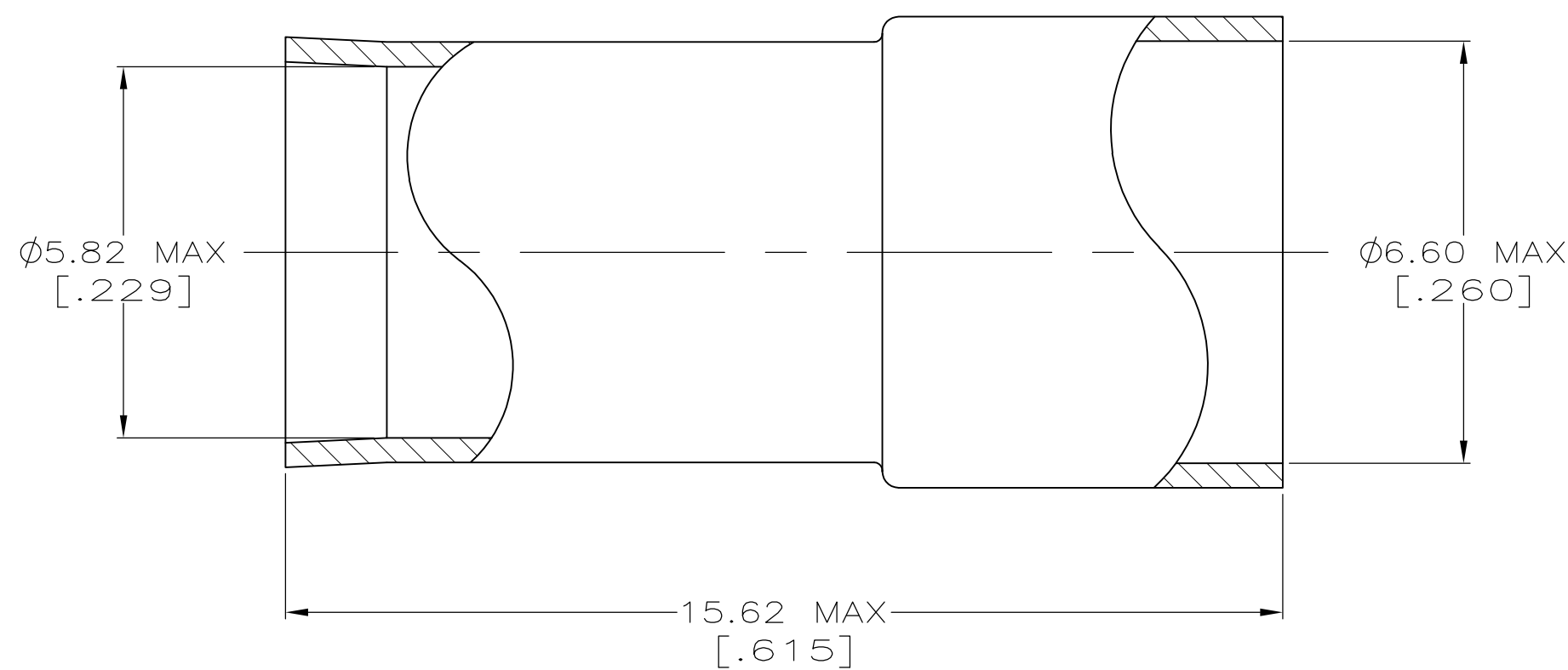


THIS DRAWING IS UNPUBLISHED. RELEASED FOR PUBLICATION  
 © COPYRIGHT BY TYCO ELECTRONICS CORPORATION. ALL RIGHTS RESERVED.

LOC	DIST	REVISIONS					
AJ	16	P	LTR	DESCRIPTION	DATE	DWN	APVD
			L	REVISED PER ECO-10-008441	21MAY10	HMR	KW

- 1 COPPER ALLOY
- △2 SILVER PLATE PER QQ-S-365, 5.08 MIN THICKNESS.  $\mu\text{m}$  [.000200]
- △3 TIN-LEAD PLATE PER ASTM-B-545, 2.54 MIN THICKNESS, WITH SUPPLEMENTAL ANTI [CORROSION] LUBRICANT.
- △4 TIN PLATE PER ASTM-B-545, 2.54 MIN THICKNESS, WITH SUPPLEMENTAL [ANTI CORRO] LUBRICANT.



OBSOLETE	△4	9-228784-0
	△2	228784-4
	△3	228784-3
FINISH		PART NUMBER

THIS DRAWING IS A CONTROLLED DOCUMENT.		DWN 14NOV95 MICHAEL E. COWHER	Tyco Electronics Corporation Harrisburg, Pa 17105-3608													
DIMENSIONS: mm [INCHES]		CHK 14NOV95 FRANK MORANA	NAME													
TOLERANCES UNLESS OTHERWISE SPECIFIED:		APVD 14NOV95 FRANK MORANA	FERRULE													
<table border="0"> <tr><td>0 PLC</td><td>± -</td></tr> <tr><td>1 PLC</td><td>± -</td></tr> <tr><td>2 PLC</td><td>± -</td></tr> <tr><td>3 PLC</td><td>± -</td></tr> <tr><td>4 PLC</td><td>± -</td></tr> <tr><td>ANGLES</td><td>± -</td></tr> </table>		0 PLC	± -	1 PLC	± -	2 PLC	± -	3 PLC	± -	4 PLC	± -	ANGLES	± -	PRODUCT SPEC	SIZE	
0 PLC	± -															
1 PLC	± -															
2 PLC	± -															
3 PLC	± -															
4 PLC	± -															
ANGLES	± -															
MATERIAL SEE NOTES		APPLICATION SPEC	CAGE CODE	DRAWING NO												
FINISH SEE NOTES		WEIGHT	A3 00779	C-228784												
		CUSTOMER DRAWING	RESTRICTED TO													
		SCALE 10:1	SHEET 1 OF 1	REV L												

单击下面可查看定价，库存，交付和生命周期等信息

[>>TE Connectivity\(泰科\)](#)