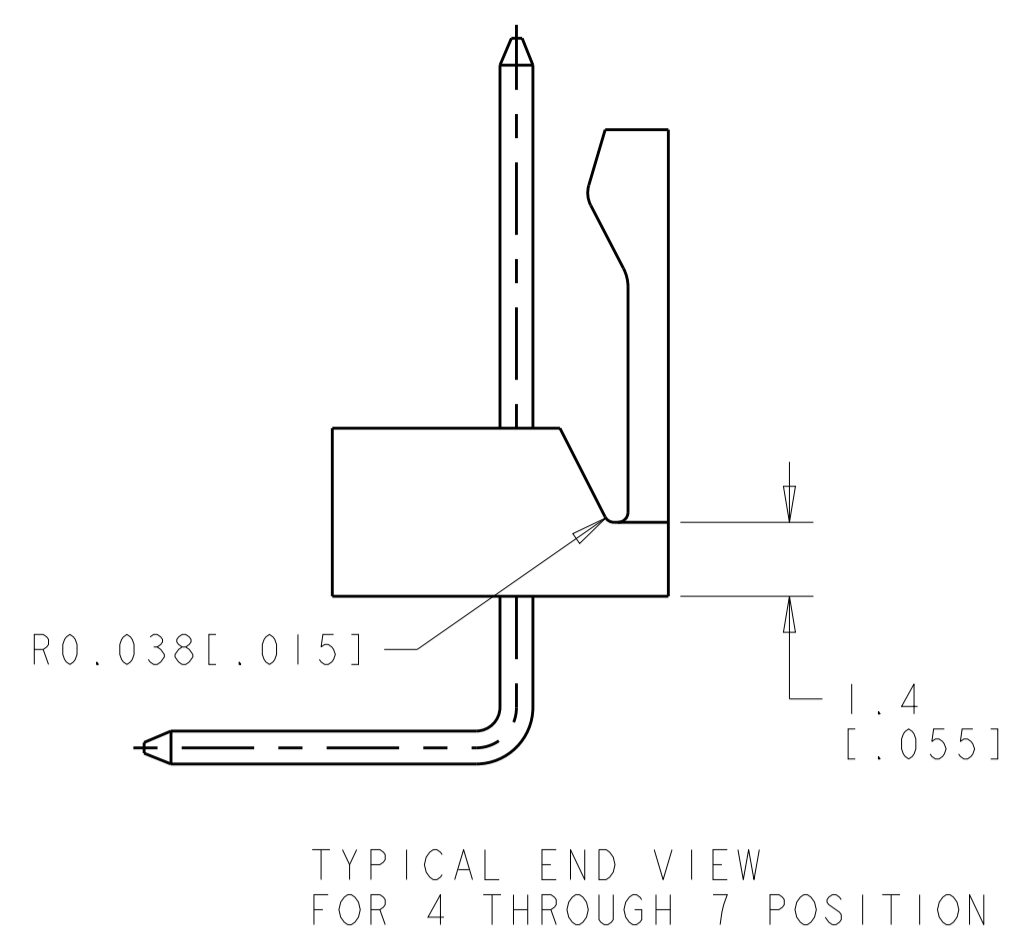
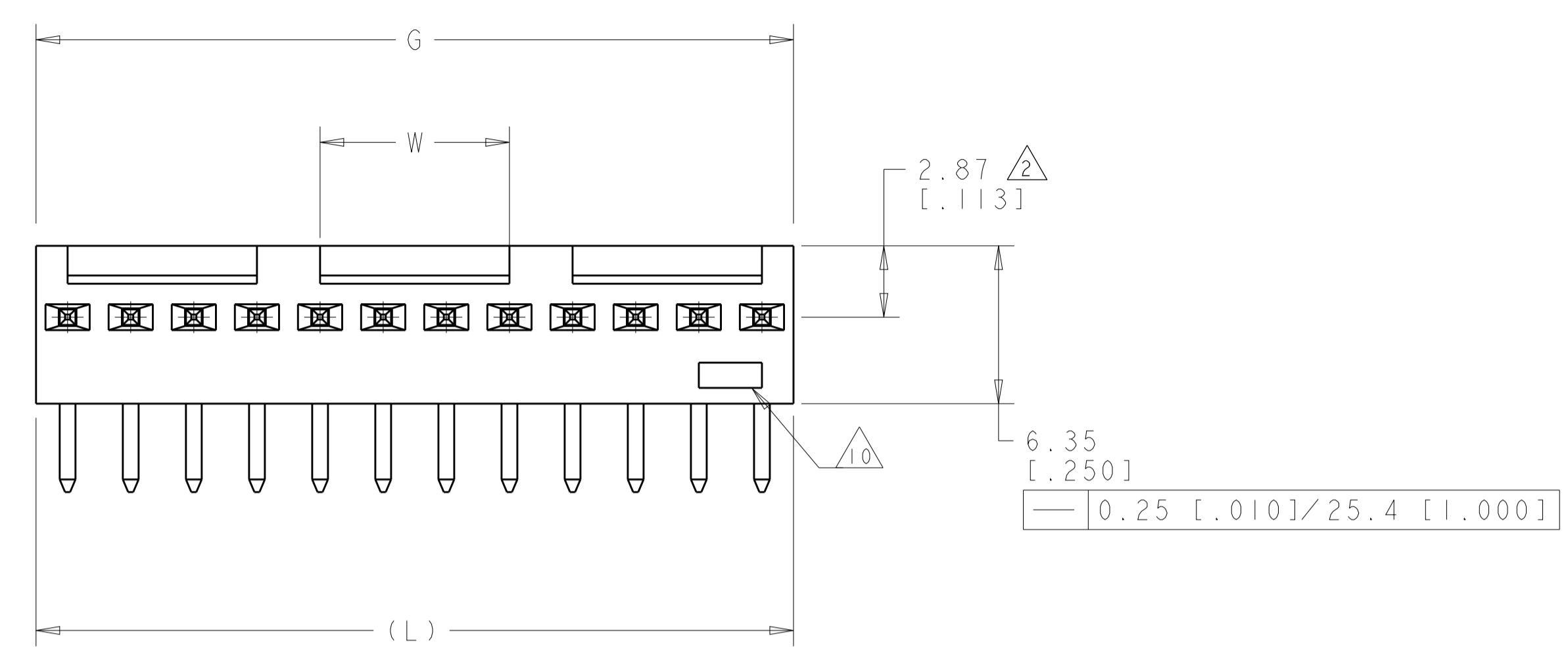
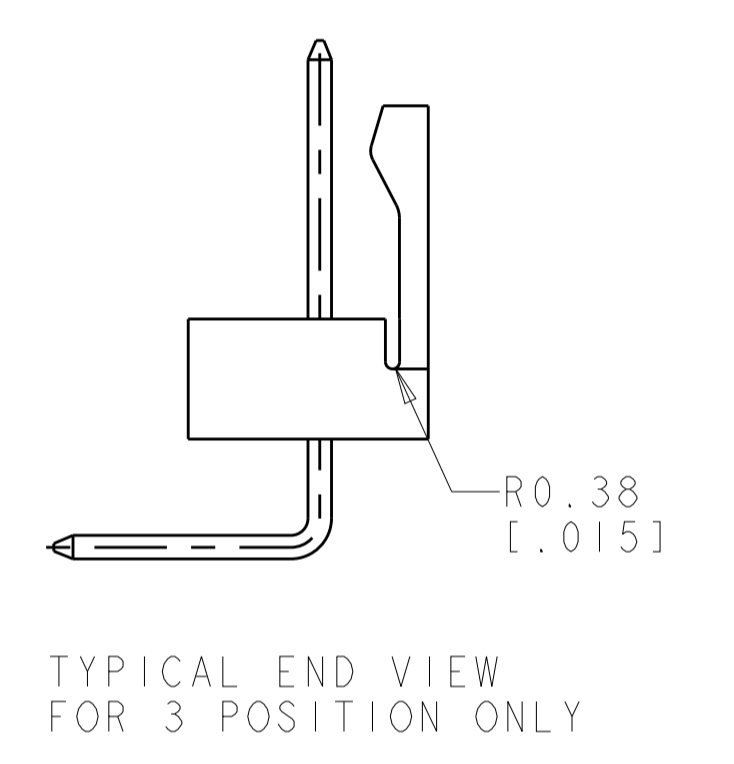
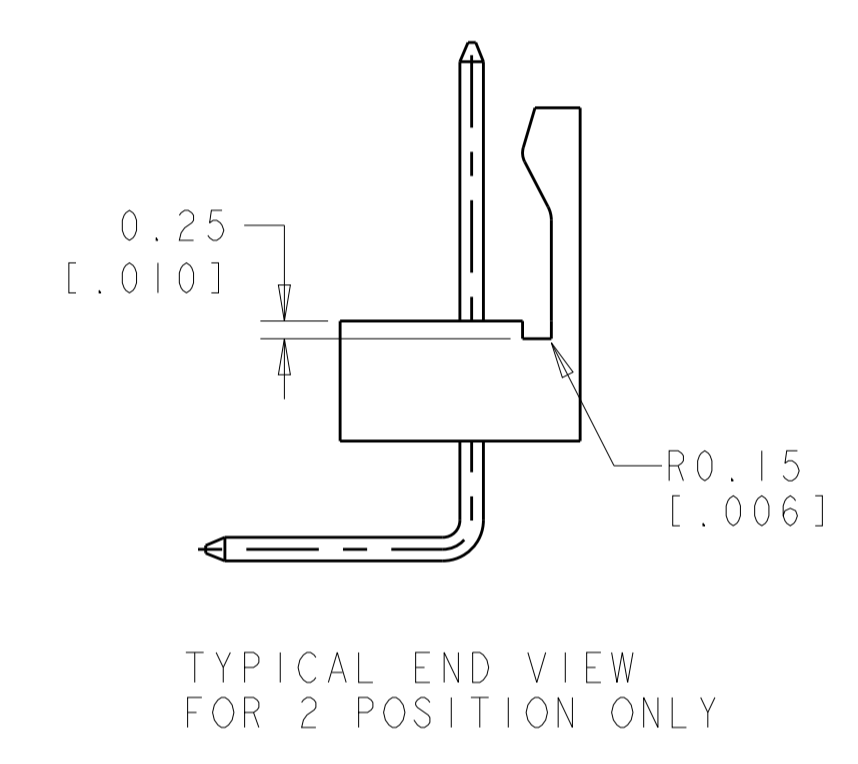
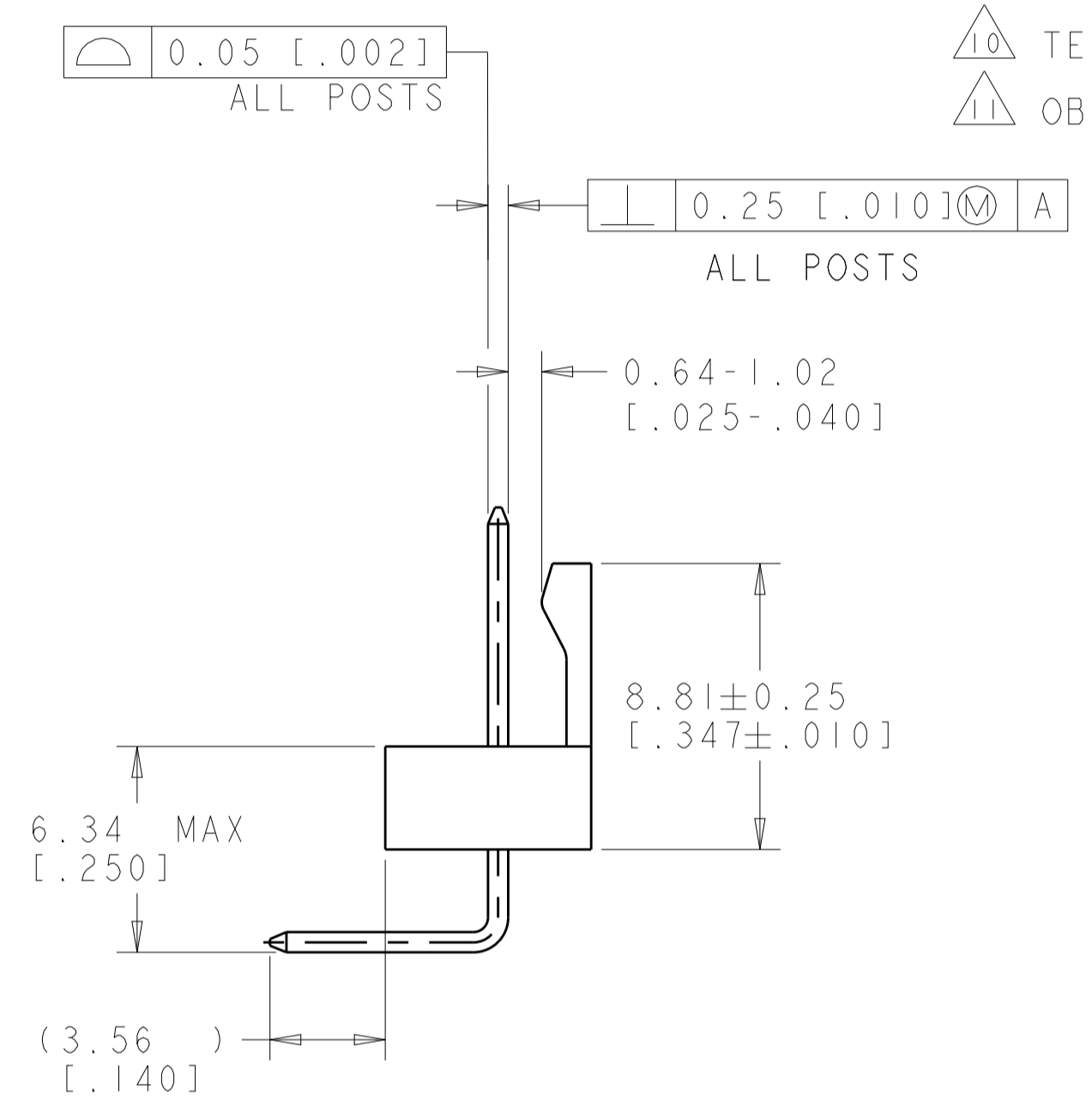
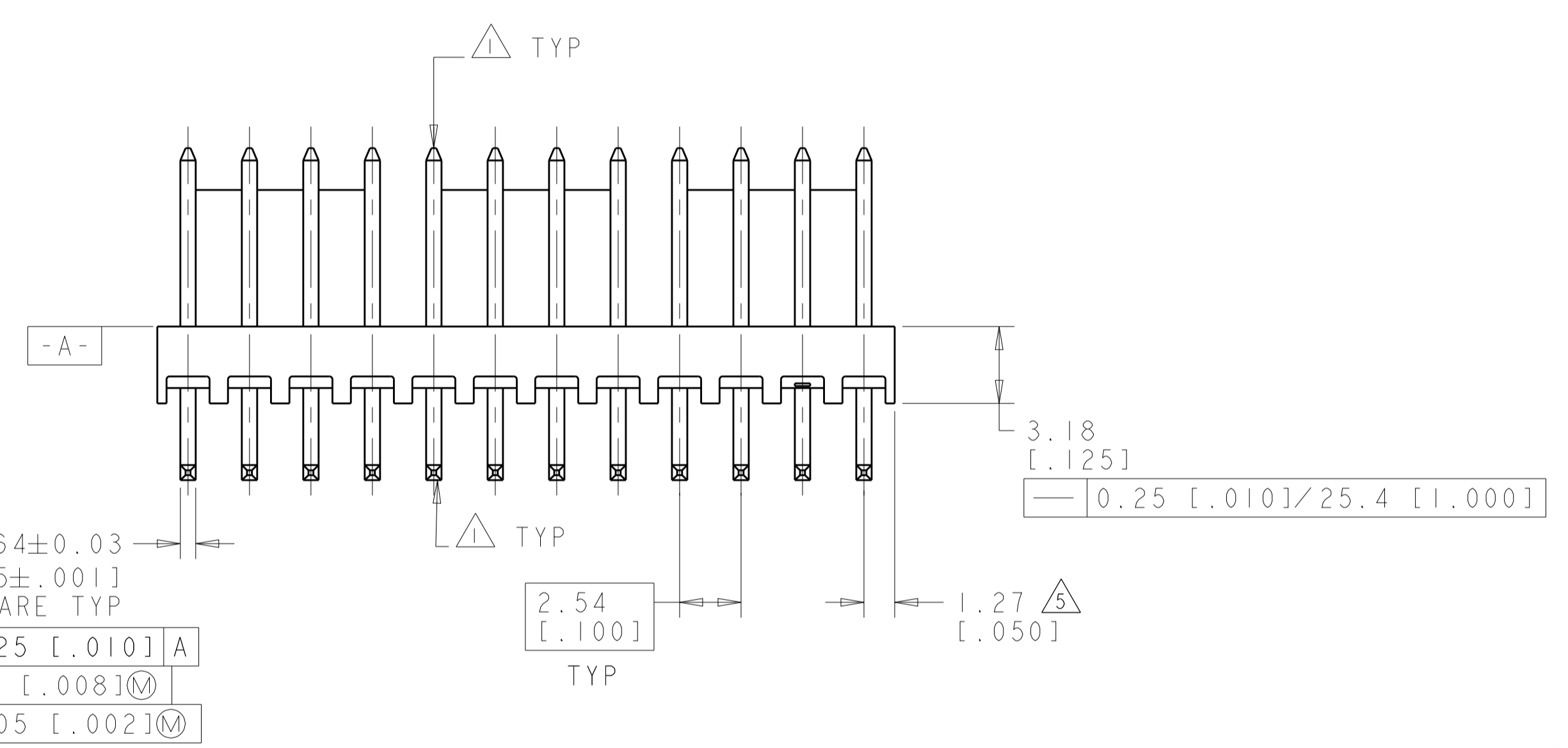


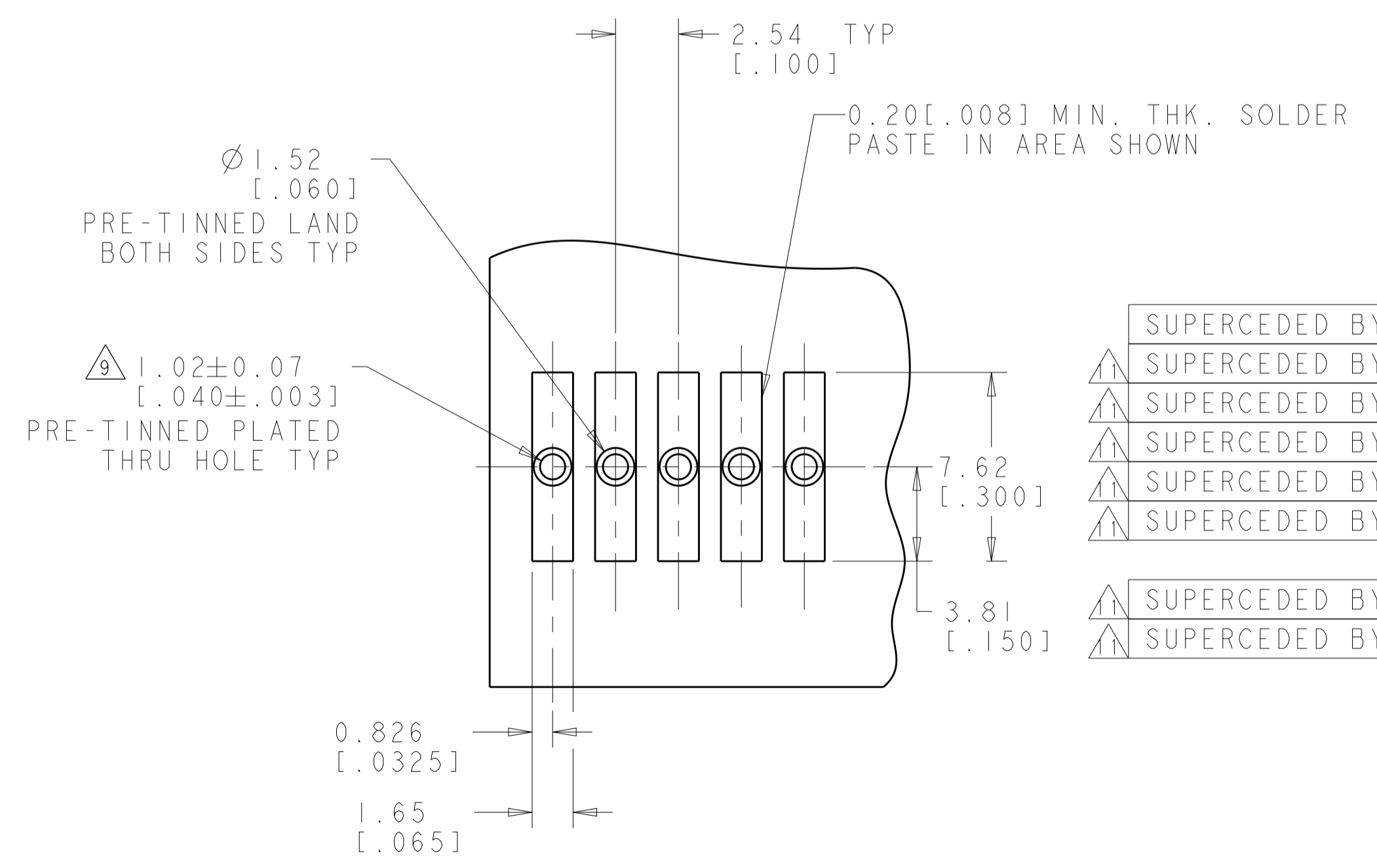
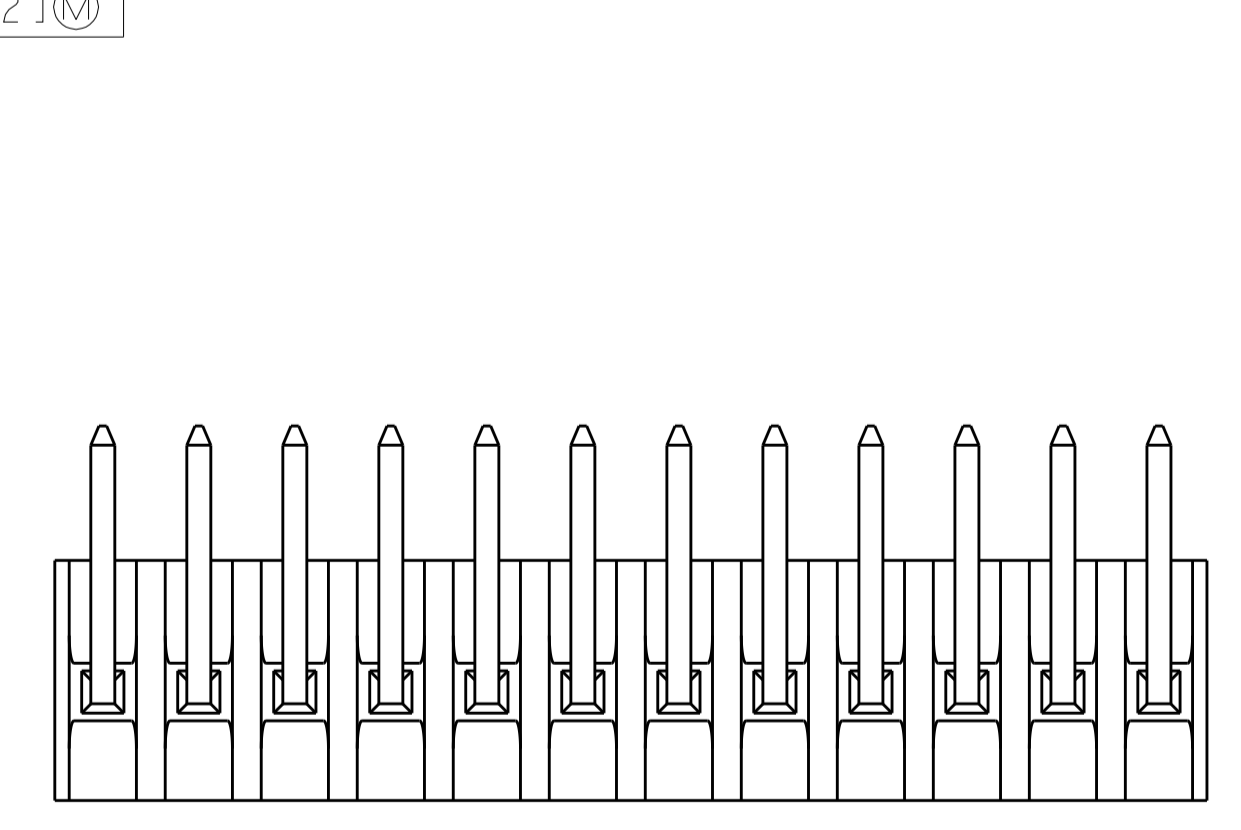
| LOC |    | DIST |     | REVISIONS                 |           |     |      |
|-----|----|------|-----|---------------------------|-----------|-----|------|
| CM  | 00 | P    | LTN | DESCRIPTION               | DATE      | OWN | APVD |
|     |    | P2   |     | REVISED PER ECR-18-004355 | 18JUN2018 | BDA | SG   |
|     |    | R    |     | REVISED PER ECR-19-015071 | 18OCT2019 | BDA | SW   |



- 1. POST WITHSTAND 13 NEWTONS (3 LBS) MIN AXIAL FORCE IN DIRECTION SHOWN WITHOUT DISLODGING.
- 2. MEASURED AT -A-.
- 3. PARTS COMPLY WITH SOLDERABILITY SPEC 109-11-2.
- 4. MATERIAL: HOUSING: NYLON, 4/6, HIGH TEMP, BLACK. POST-2 THRU -12 : COPPER ALLOY TIN LEAD (93/7) PLATING. POST -32 THRU -42 : COPPER ALLOY TIN PLATE
- 5. COORDINATE DIMENSION APPLIES FROM CENTER OF ACTUAL FEATURE.
- 6. POSTS TO BE MEASURED WHEN STRIP HELD FLAT.
- 7. DIMENSIONS IN BRACKETS ARE IN INCHES.
- 8. TOLERANCES APPLY TO SOLDER SIDE OF BOARD.
- 9. ONE HOLE MAY BE UNDERSIZED 0.81-0.89 [0.032-.035] DIAMETER FOR ASSEMBLY RETENTION DURING PROCESSING.
- 10. TE LOGO, UL, AND CSA TRADEMARKS TO APPEAR ON THIS SURFACE.
- 11. OBSOLETE PARTS: OBSOLETE CIS STREAMLINING PER D.RENAUD/D.SINISI



|   |   |                |
|---|---|----------------|
| 6 | 2 | 0.25 [0.010] A |
| 6 | 2 | 0.2 [0.008] M  |
| 6 | 2 | 0.05 [0.002] M |



- 1 SUPERCEDED BY 4-647050-2
- 2 SUPERCEDED BY 4-647050-1
- 3 SUPERCEDED BY 4-647050-0
- 4 SUPERCEDED BY 3-647051-9
- 5 SUPERCEDED BY 3-647051-8
- 6 SUPERCEDED BY 3-647051-7
- 7 OBSOLETE
- 8 SUPERCEDED BY 3-647051-5
- 9 SUPERCEDED BY 3-647051-4
- 10 OBSOLETE
- 11 OBSOLETE
- 12 OBSOLETE

|              |               |               |            |            |
|--------------|---------------|---------------|------------|------------|
| 7.62 [0.300] | 12.70 [0.500] | 30.48 [1.200] | 12         | 4-647051-2 |
| -            | 10.16 [0.400] | 27.94 [1.100] | 11         | 4-647051-1 |
| -            | 7.62 [0.300]  | 25.40 [1.000] | 10         | 4-647051-0 |
| -            | 5.08 [0.200]  | 22.86 [0.900] | 9          | 3-647051-9 |
| -            | 2.54 [0.100]  | 20.32 [0.800] | 8          | 3-647051-8 |
| -            | -             | 17.78 [0.700] | 7          | 3-647051-7 |
| -            | -             | 15.24 [0.600] | 6          | 3-647051-6 |
| -            | -             | 12.70 [0.500] | 5          | 3-647051-5 |
| -            | -             | 10.16 [0.400] | 4          | 3-647051-4 |
| -            | -             | 7.62 [0.300]  | 3          | 3-647051-3 |
| -            | -             | 5.08 [0.200]  | 2          | 3-647051-2 |
| 7.62 [0.300] | 12.70 [0.500] | 30.48 [1.200] | 12         | 1-647051-2 |
| -            | 10.16 [0.400] | 27.94 [1.100] | 11         | 1-647051-1 |
| -            | 7.62 [0.300]  | 25.40 [1.000] | 10         | 1-647051-0 |
| -            | 5.08 [0.200]  | 22.86 [0.900] | 9          | 647051-9   |
| -            | 2.54 [0.100]  | 20.32 [0.800] | 8          | 647051-8   |
| -            | -             | 17.78 [0.700] | 7          | 647051-7   |
| -            | -             | 15.24 [0.600] | 6          | 647051-6   |
| -            | -             | 12.70 [0.500] | 5          | 647051-5   |
| -            | -             | 10.16 [0.400] | 4          | 647051-4   |
| -            | -             | 7.62 [0.300]  | 3          | 647051-3   |
| -            | -             | 5.08 [0.200]  | 2          | 647051-2   |
| W            | G             | L             | NO OF POSN | PART NO    |

THIS DRAWING IS A CONTROLLED DOCUMENT. OWN: R. WHITAKER 3-NOV-2001. CHK: D. BOSSI 13-NOV-2001. APVD: D. BOSSI 13-NOV-2001.

**STE** TE Connectivity

NAME: MTA-100 HEADER ASSY, HIGH TEMPERATURE FRICTION LOCK, .025 SQUARE, RIGHT ANGLE POST, TIN OR TIN-LEAD PLATED

PRODUCT SPEC: APPLICATION SPEC

SIZE: CAGE CODE: DRAWING NO: A100779C=647051

WEIGHT: RESTRICTED TO

CUSTOMER DRAWING SCALE: 7:1 SHEET 1 OF 1 REV R

单击下面可查看定价，库存，交付和生命周期等信息

[>>TE Connectivity\(泰科\)](#)