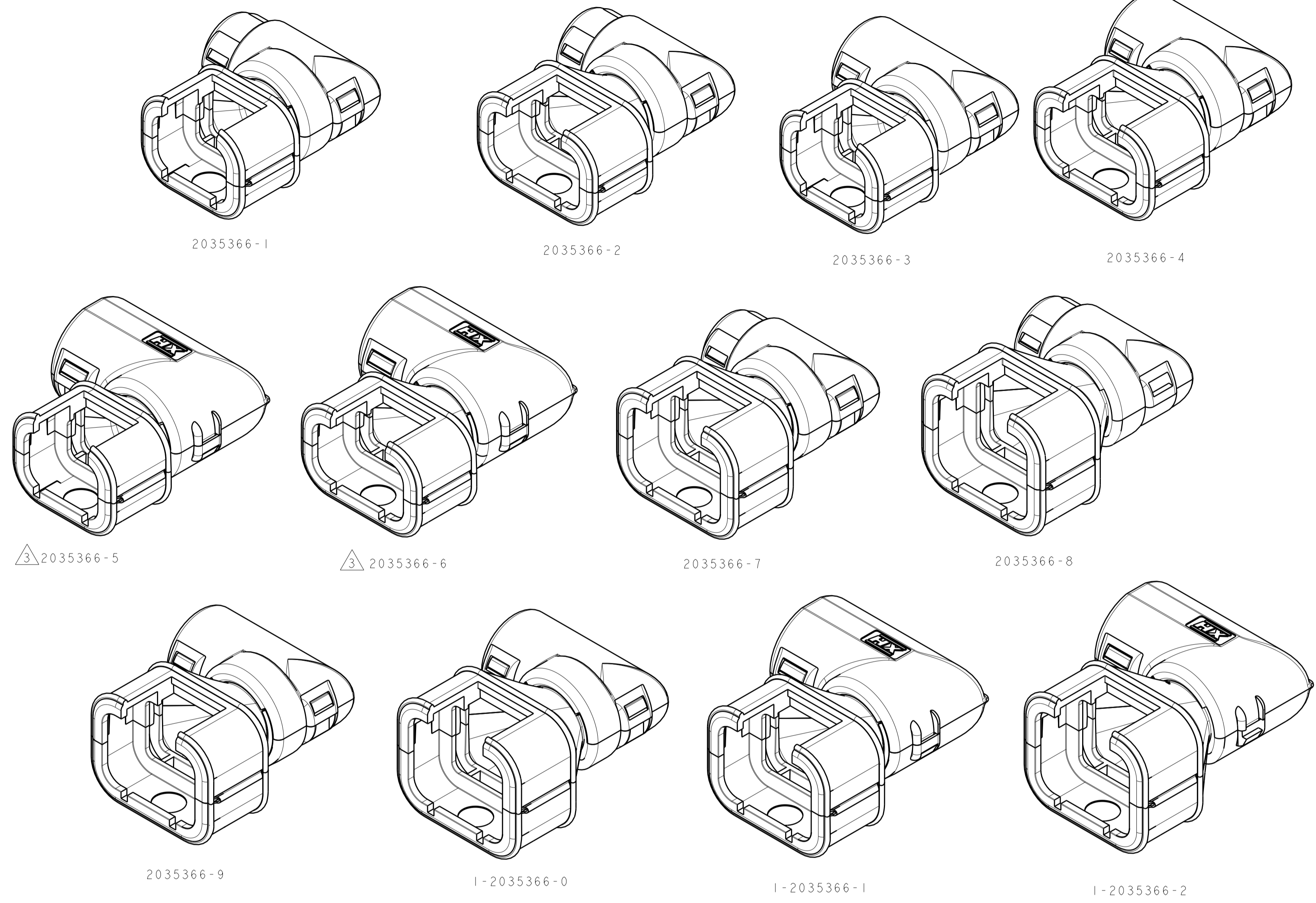
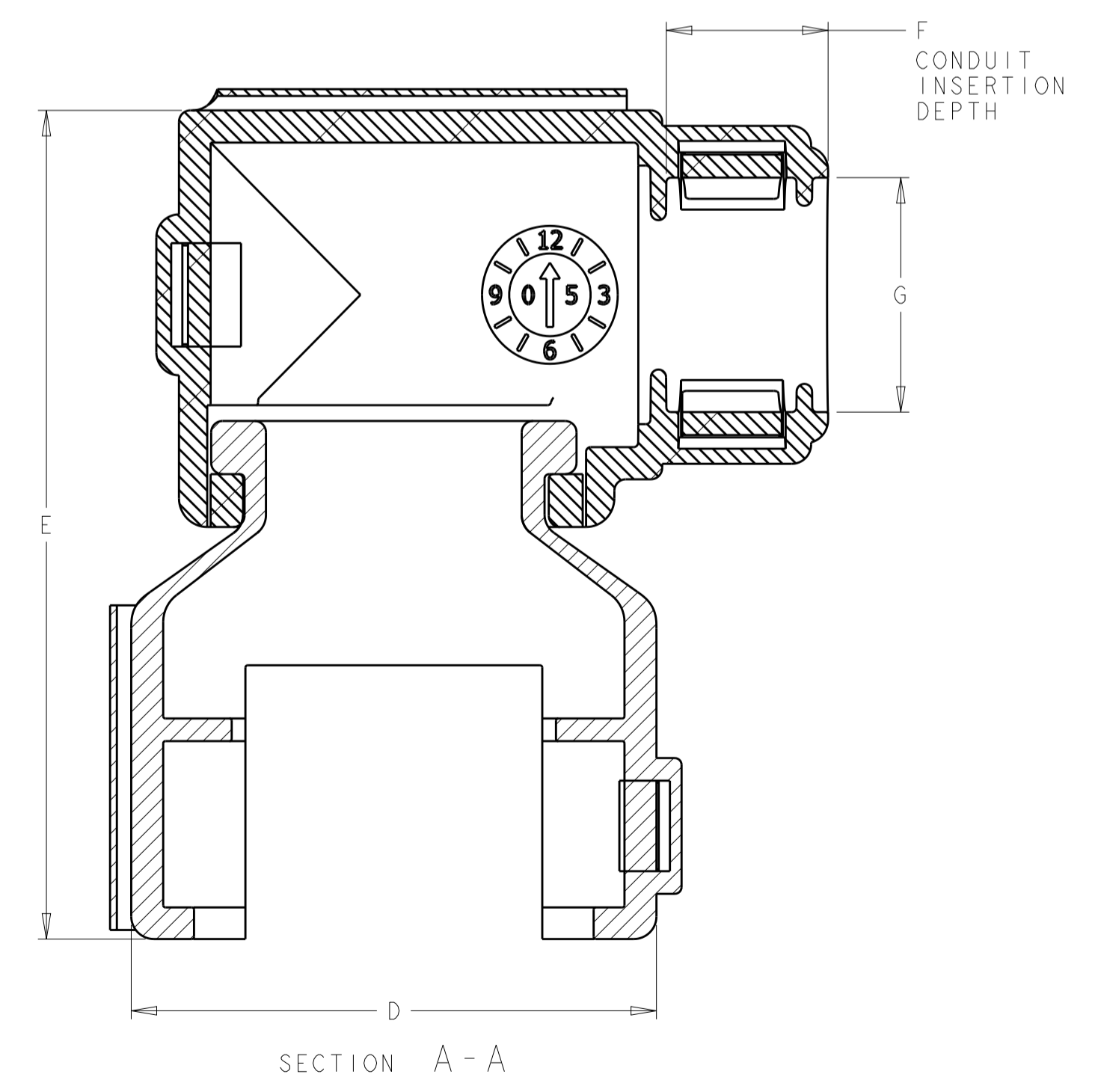
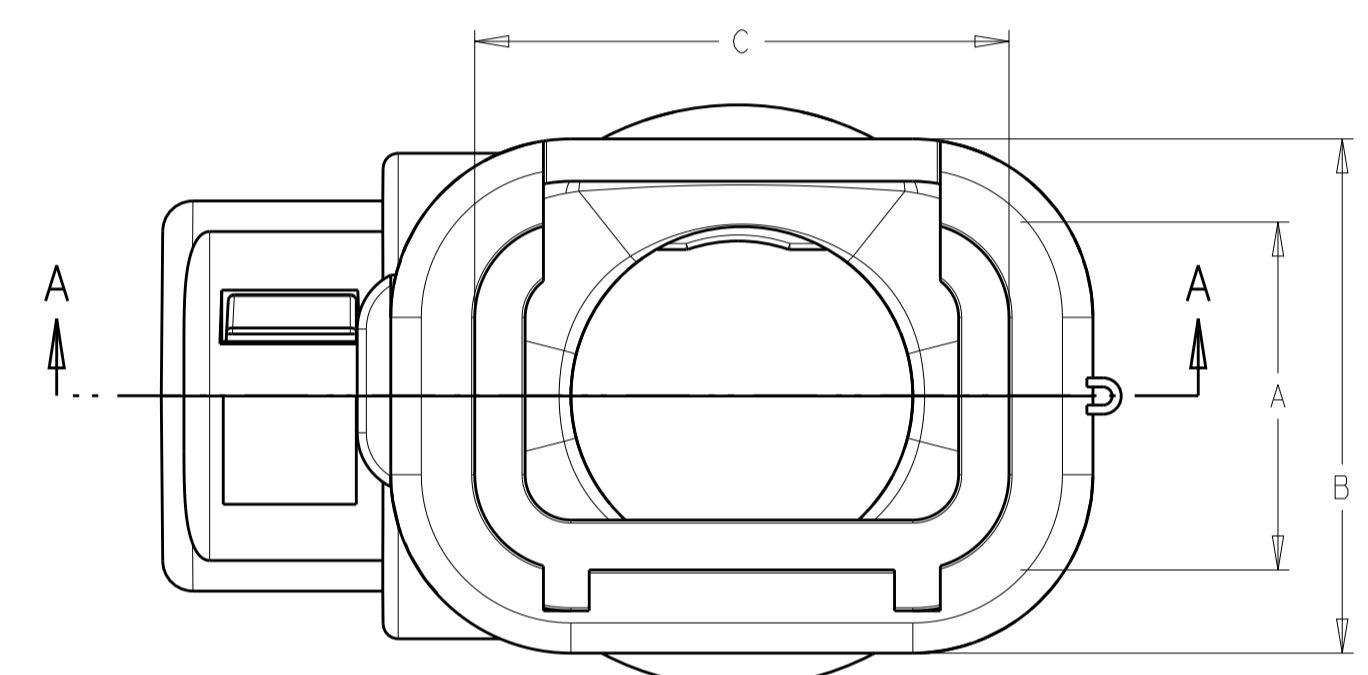
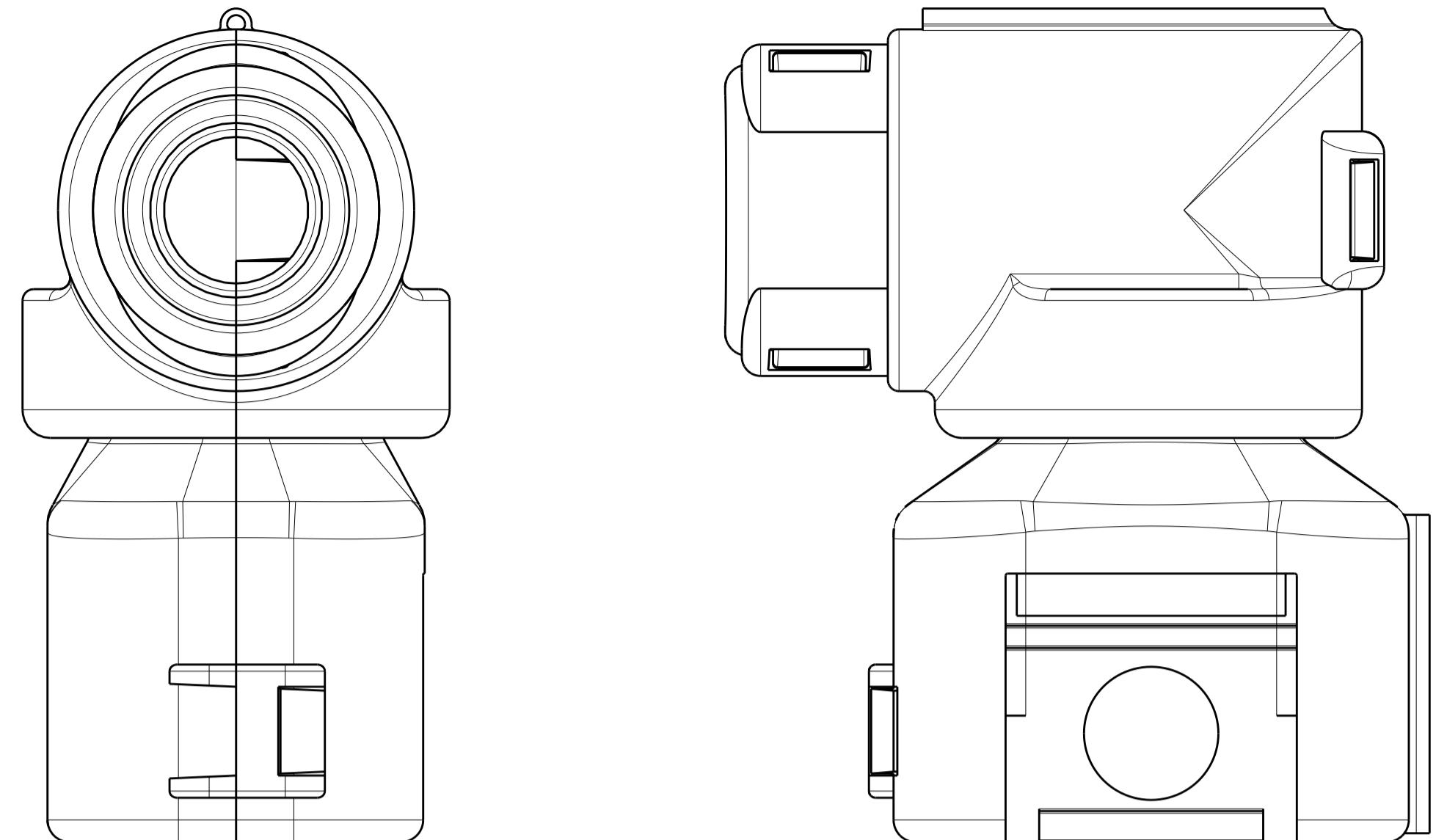


REVISIONS				
P.	LTN.	DESCRIPTION	DATE	APP'D.
C	REV PER ECO-16-015688		01NOV2016	JM RB



1. ELBOW DESIGN ALLOWS FOR 360° EXIT ROTATION
2. COLOR: BLACK
3. NOT TOOLED

16.5	10.6	45.4	28.5	22.2	23.5	17.0	13	16	6	1-2035366-2
16.5	10.6	43.6	28.5	22.2	21.7	15.1	13	16	4	1-2035366-1
13.5	7.2	41.8	28.5	22.2	23.5	17.0	10	12	6	1-2035366-0
13.5	7.2	40.1	28.5	22.2	21.7	15.1	10	12	4	2035366-9
10.4	7.2	41.8	28.5	22.2	23.5	17.0	7.5	08	6	2035366-8
10.4	7.2	40.1	28.5	22.2	21.7	15.1	7.5	08	4	2035366-7
-	-	-	-	-	-	-	13	16	3	2035366-6
-	-	-	-	-	-	-	13	16	2	2035366-5
13.5	7.2	38.5	27.9	21.6	18.1	11.6	10	12	3	2035366-4
13.5	7.2	36.5	23.7	17.5	18.1	11.6	10	12	2	2035366-3
10.4	7.2	38.5	27.9	21.6	18.1	11.6	7.5	08	3	2035366-2
10.4	7.2	36.5	23.7	17.5	18.1	11.6	7.5	08	2	2035366-1
G	F	E	D	C	B	A	NW CONDUIT SIZE	NC CONDUIT SIZE	CONNECTOR POSITIONS	TE CONNECTIVITY PART NO.

THIS DRAWING IS A CONTROLLED DOCUMENT. DWN: RUSTY WORTHINGTON 27 JUL 2009
 CHK: ROGER BALTER 27 JUL 2009
 AP'D: ROGER BALTER 27 JUL 2009

STE TE Connectivity

NAME: BACKSHELL, RIGHT-ANGLE, LOW PROFILE PLUG CONNECTOR, NW/NC CONDUIT AMPSEAL 16

SIZE: A100779 CAGE CODE: 2035366 DRAWING NO: 100779

MATERIAL: NYLON 6/6, BLACK

SCALE: 1:1 SHEET 1 OF 1 REV C

单击下面可查看定价，库存，交付和生命周期等信息

[>>TE Connectivity\(泰科\)](#)