

4

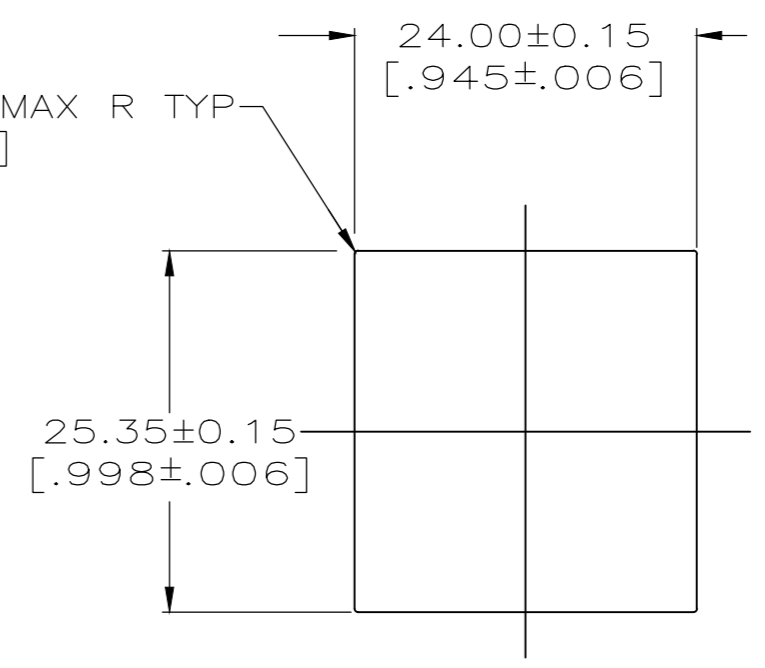
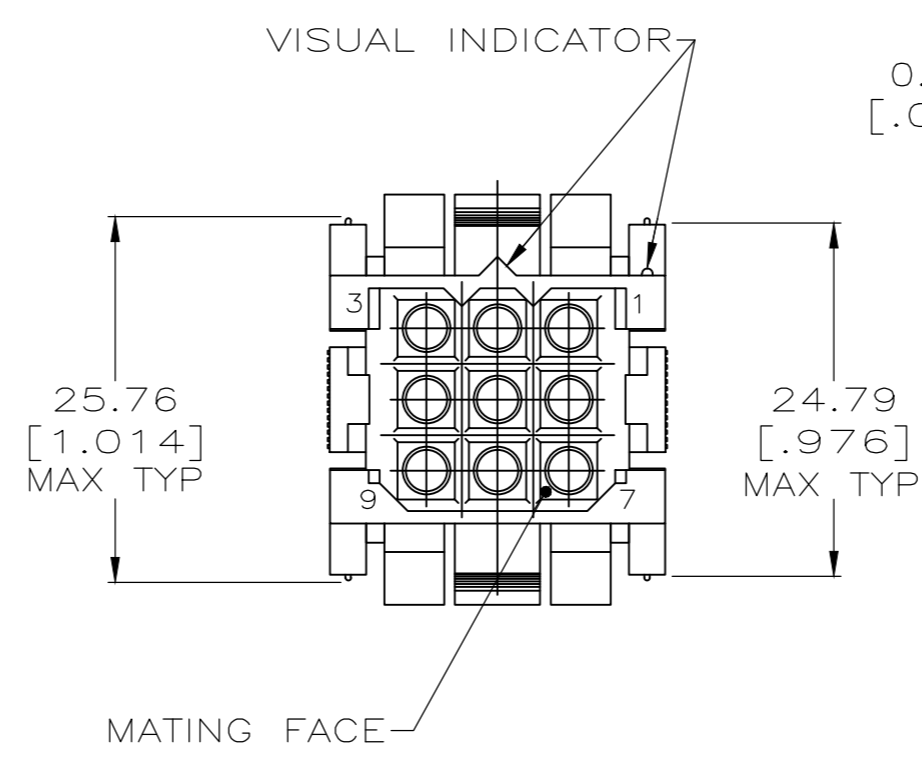
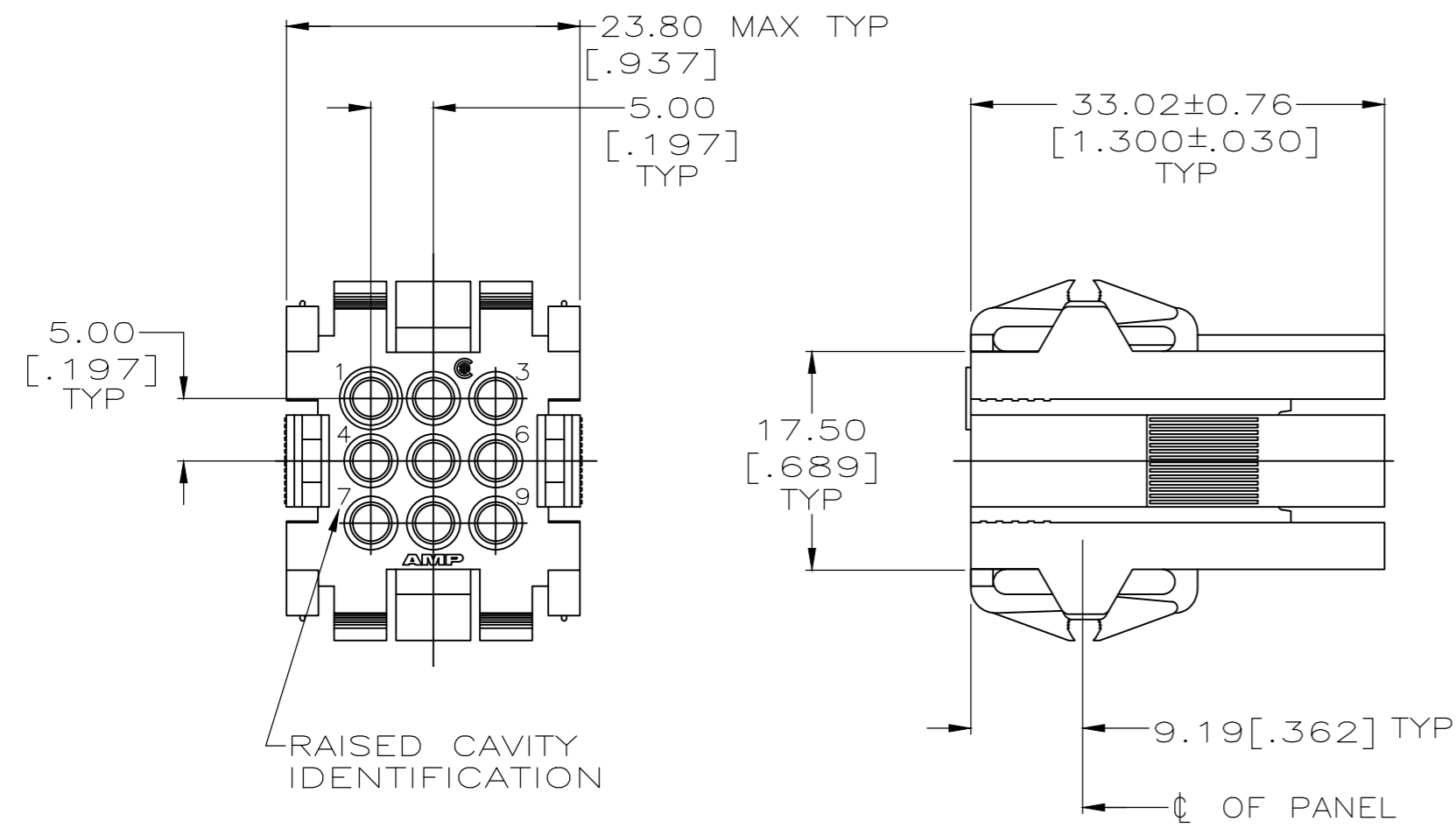
3

2

1

THIS DRAWING IS UNPUBLISHED. RELEASED FOR PUBLICATION
 © COPYRIGHT - TE Connectivity Ltd. ALL RIGHTS RESERVED.

REVISIONS					
P	LTR	DESCRIPTION	DATE	DWN	APVD
	F	REV PER EC 0020-250-94	03/24/94	-	AT
	G	REVISED PER ECO-20-002227	20FEB2020	RK	MZ



PANEL CUTOUT

- 1. PANEL RETENTION MECHANISM ACCOMMODATES PANEL THICKNESSES FROM 0.76[.030] TO 2.29[.090].
- △ HOUSING MATERIAL: PA66, BLACK, UL 94 V-0 RATED.

207440-1
PART NUMBER

THIS DRAWING IS A CONTROLLED DOCUMENT.		DWN W.LENKER 08/26/92																						
DIMENSIONS: mm [INCHES]		CHK R.STONE 8-31-92																						
TOLERANCES UNLESS OTHERWISE SPECIFIED:		APVD A.TRAVIS 9-2-92	NAME HOUSING, RECEPTACLE, 9 POSITION, METRIMATE																					
<table border="1"> <tr><td>0 PLC</td><td>±</td><td>-</td></tr> <tr><td>1 PLC</td><td>±</td><td>-</td></tr> <tr><td>2 PLC</td><td>±</td><td>0.25 [.010]</td></tr> <tr><td>3 PLC</td><td>±</td><td>-</td></tr> <tr><td>4 PLC</td><td>±</td><td>-</td></tr> <tr><td>ANGLES</td><td>±</td><td>-</td></tr> </table>		0 PLC	±	-	1 PLC	±	-	2 PLC	±	0.25 [.010]	3 PLC	±	-	4 PLC	±	-	ANGLES	±	-	PRODUCT SPEC 108-10033	SIZE A2	CAGE CODE 00779	DRAWING NO 207440	RESTRICTED TO -
0 PLC	±	-																						
1 PLC	±	-																						
2 PLC	±	0.25 [.010]																						
3 PLC	±	-																						
4 PLC	±	-																						
ANGLES	±	-																						
MATERIAL △ 2	FINISH -	APPLICATION SPEC -	WEIGHT -	CUSTOMER DRAWING		SCALE 2:1 SHEET 1 OF 1 REV G																		

207440
B

A

单击下面可查看定价，库存，交付和生命周期等信息

[>>TE Connectivity\(泰科\)](#)