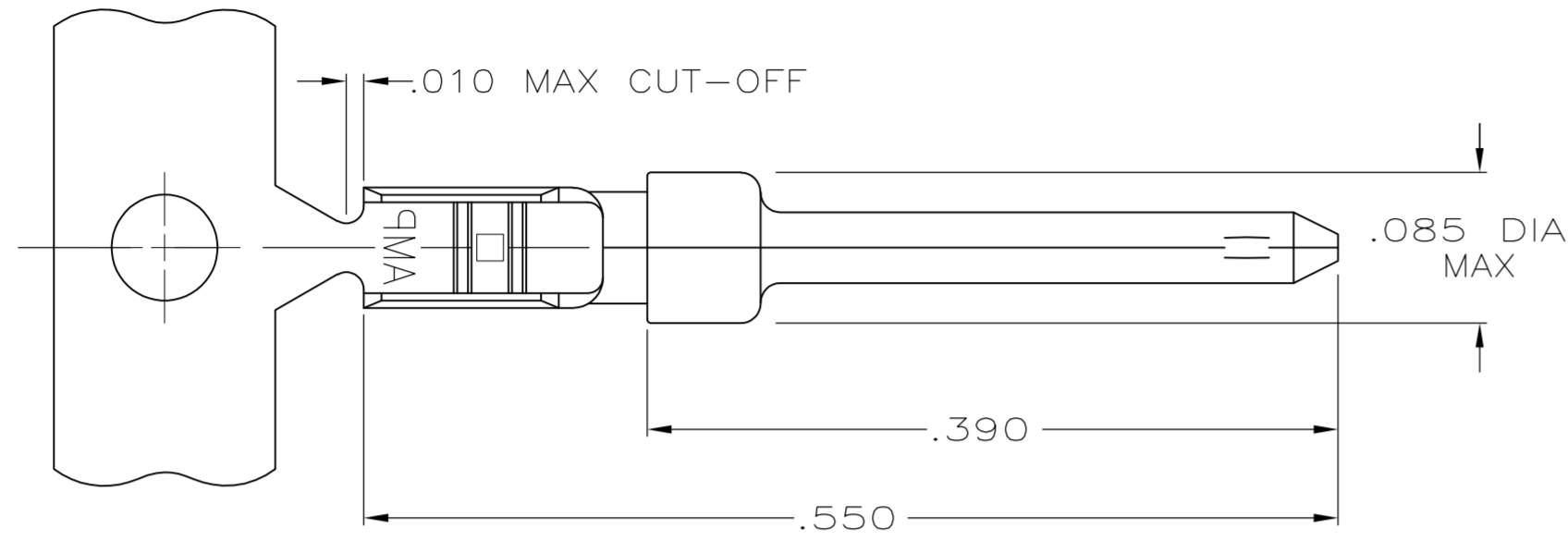
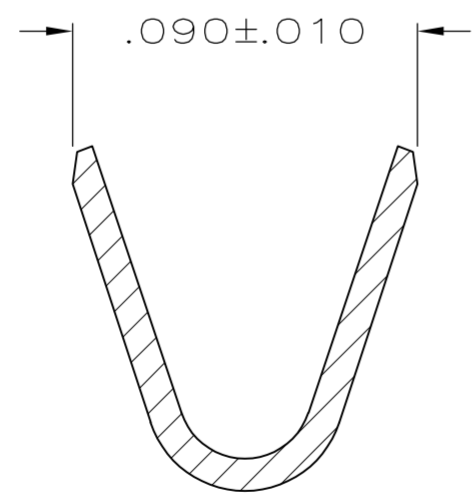
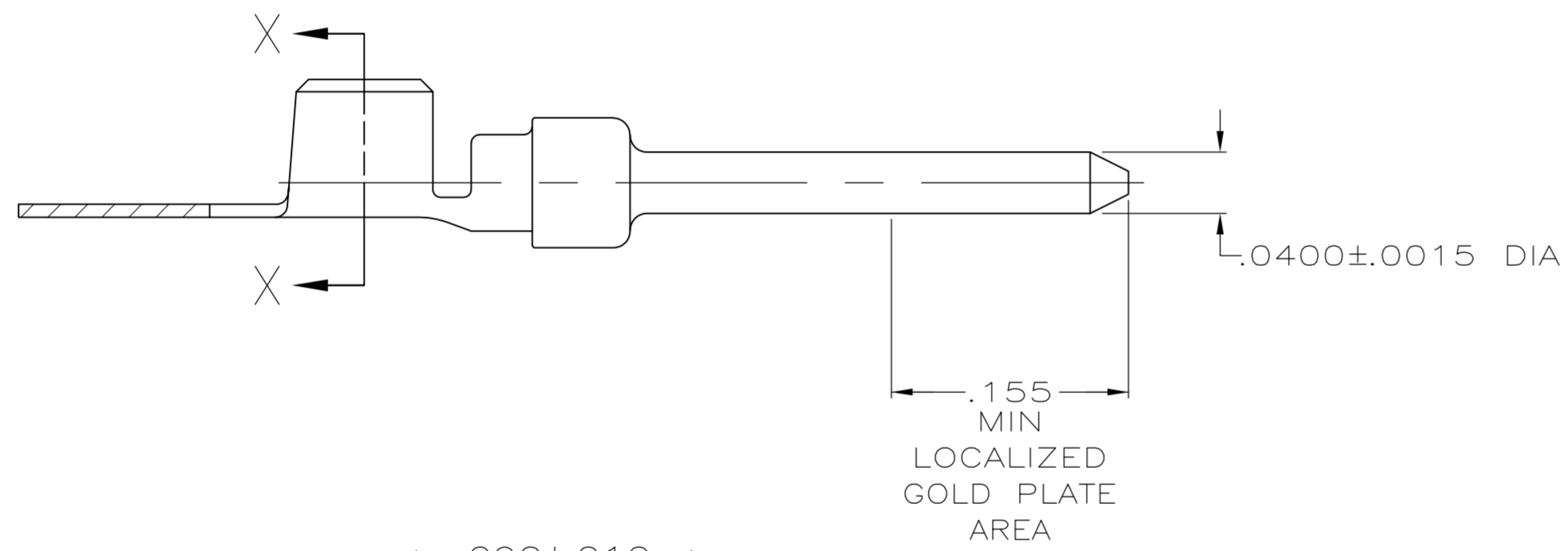


THIS DRAWING IS UNPUBLISHED. RELEASED FOR PUBLICATION
 © COPYRIGHT BY TYCO ELECTRONICS CORPORATION. ALL RIGHTS RESERVED.

LOC	DIST	REVISIONS			
P	LTR	DESCRIPTION	DATE	DWN	APVD
GP	00	B	REVISED PER ECO-08-007460	24JUN2008	ZMRCWR



- 1. FOR MINI-APPLICATOR.
- 2. WIRE RANGE OF 18-22 AWG.
- 3. .068 MAX INSULATION DIAMETER ALLOWABLE WHEN USING 91067-2 EXTRACTION TOOL.
- 4. TIN PLATING MAY NOT APPEAR ON CARRIER STRIP.
- 5. GOLD PLATED IN LOCALIZED GOLD PLATE AREA AS FOLLOWS:
 .000030 MIN GOLD IN MATED AREA, .000100 MIN TIN ON WIRE BARRELS, ALL OVER .000050 MIN NICKEL UNDERPLATE.
 OR
 GOLD FLASH OVER PALLADIUM-NICKEL PLATE, .000030 MIN TOTAL IN MATED AREA, .000100 MIN TIN ON WIRE BARRELS, ALL OVER .000050 MIN NICKEL UNDERPLATE.



SECTION X-X
 WIRE BARREL
 SCALE 20:1

FINISH	1658541-1 PART NUMBER
--------	--------------------------

THIS DRAWING IS A CONTROLLED DOCUMENT.		DWN R. SAMICK 1.3AUG03	Tyco Electronics Corporation Harrisburg, PA 17105-3608	
DIMENSIONS: INCHES		CHK S. BOLASH 1.3AUG03	NAME PIN CONTACT, 20 DF, 18-22 AWG, AMPLIMITE	
TOLERANCES UNLESS OTHERWISE SPECIFIED:		APVD M. WALMSLEY 1.3AUG03	PRODUCT SPEC 108-40005	
0 PLC ± -	1 PLC ± -	APPLICATION SPEC 114-10000	SIZE A2	CAGE CODE 00779
2 PLC ± -	3 PLC ± .005	WEIGHT -	DRAWING NO C=1658541	RESTRICTED TO -
4 PLC ± -	ANGLES ± -	MATERIAL BRASS PER	SCALE 10:1	SHEET 1 of 1
FINISH SEE TABLE		CUSTOMER DRAWING		

单击下面可查看定价，库存，交付和生命周期等信息

[>>TE Connectivity\(泰科\)](#)