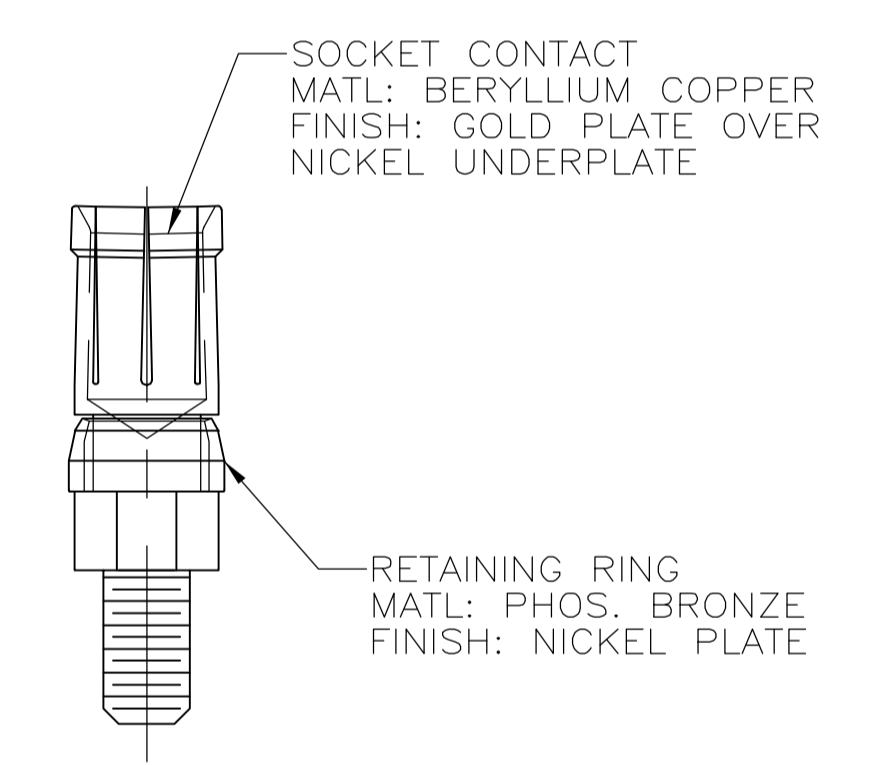
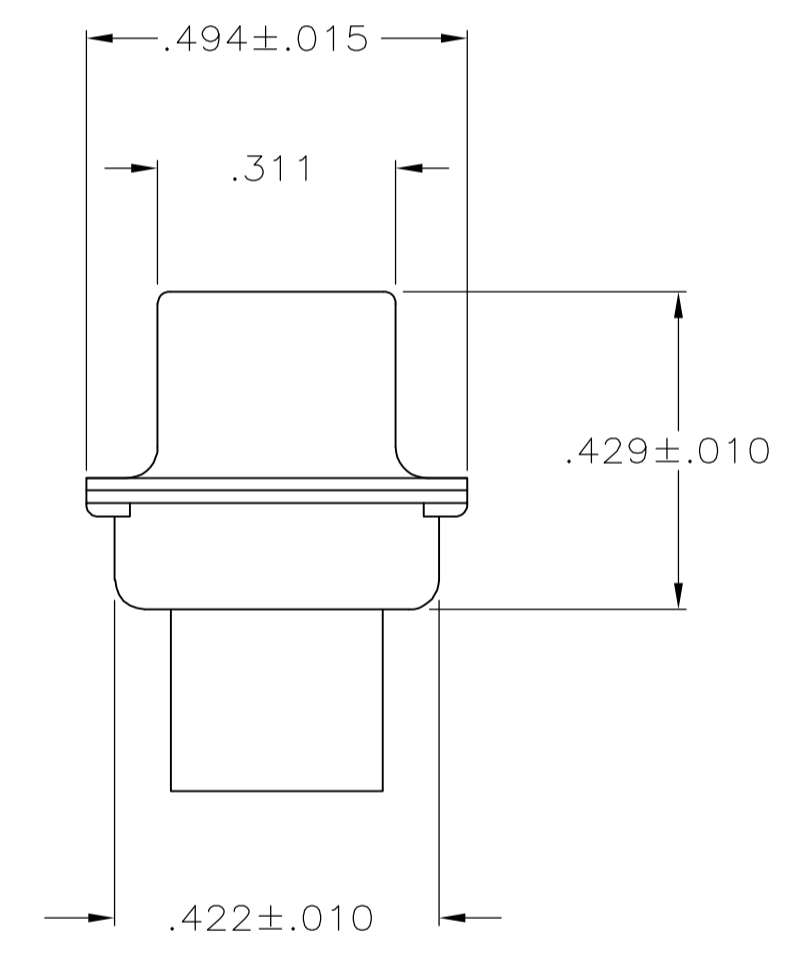
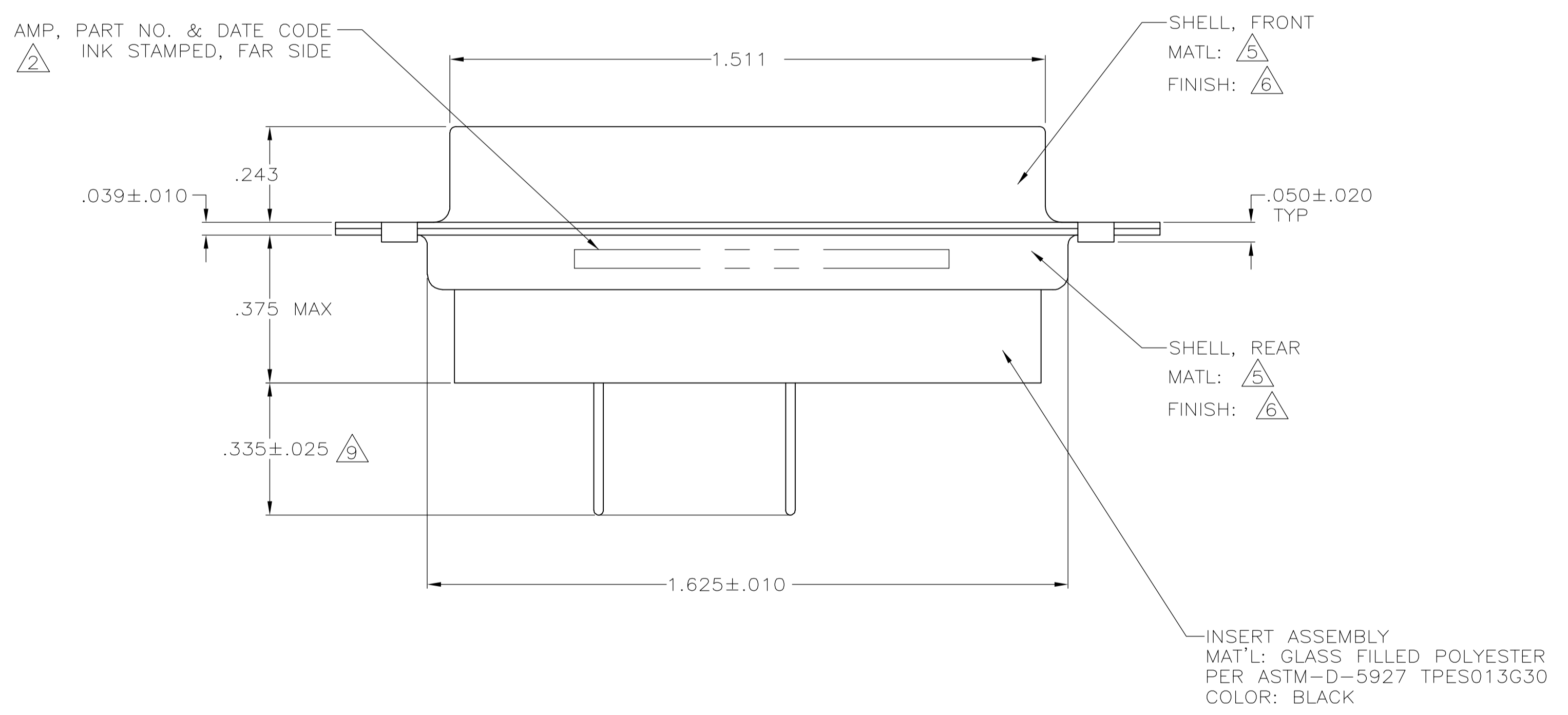
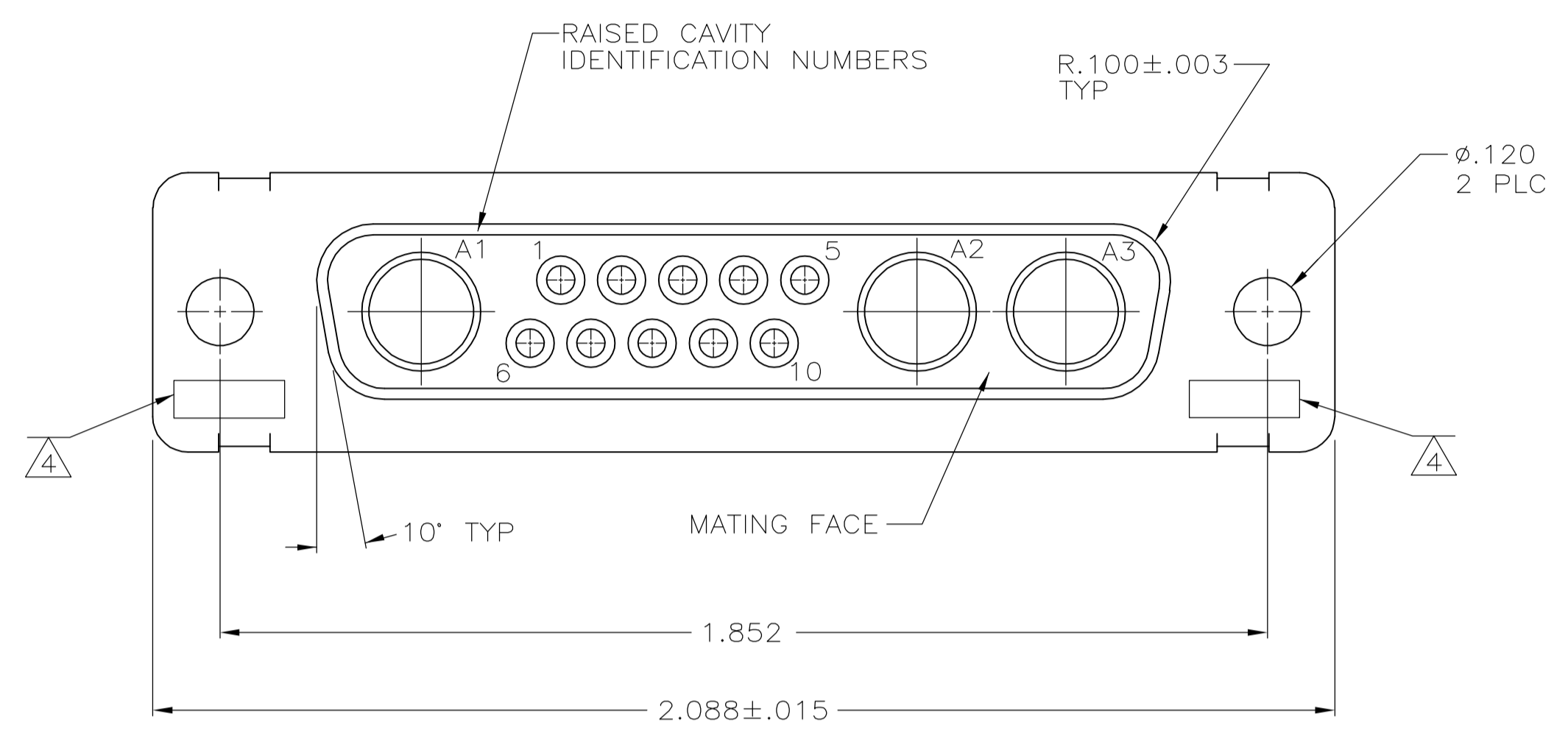


LOC	DIST	REVISIONS			
P	LTR	DESCRIPTION	DATE	OWN	APPRO
A		REV PER ECO-05-004869	07-05	AA	DM

1. THIS RECEPTACLE WILL MATE WITH ANY 13C3, SIZE 3 PLUG IN AMPLIMITE SERIES.
2. FAR SIDE REFERS TO WIDE SIDE OF KEYSTONE.
3. FOR REPLACEMENT SIZE 20 SIGNAL CONTACTS IN POSITIONS 1 THRU 10, ORDER AMP PART NUMBER 1-208778-0.
4. UL/CSA DESIGNATION STAMPED IN THIS AREA, OPTIONAL.
5. STEEL PER ASTM-A-109.
6. FINISH: CADMIUM PLATED PER QQ-P-416.
7. CONTACTS IN THIS KIT WILL BE PROVIDED LOOSE PIECE (3 POWER CONTACTS AND 10 SIGNAL CONTACTS).
8. THIS DRAWING IS RESTRICTED TO SCI SYSTEMS.
9. CONTACTS ARE NOT LOADED IN CONNECTOR, SHOWN FOR REFERENCE ONLY.



449991-1
PART NO

THIS DRAWING IS A CONTROLLED DOCUMENT.		DWG T. THOMPSON 14-NOV-94		Tyco Electronics Corporation Harrisburg, Pa 17105-3608	
DIMENSIONS: INCHES		CHK H. WYNKOOP 14-NOV-94		APPRO H. WYNKOOP 14-NOV-94	NAME RECEPTACLE ASSEMBLY AMPLIMITE 13C3, SIZE 3 SERIES 109, COAX MIX, KIT
TOLERANCES UNLESS OTHERWISE SPECIFIED:		PRODUCT SPEC		APPLICATION SPEC	
0 PLC ± - 1 PLC ± - 2 PLC ± - 3 PLC ± .005 4 PLC ± - ANGLES ± 0°30'		SIZE A1		CAGE CODE 00779	
MATERIAL SEE CALLOUTS		FINISH SEE CALLOUTS		DRAWING NO 449991	
CUSTOMER DRAWING		SCALE 4:1		SHEET 1 OF 1	

单击下面可查看定价，库存，交付和生命周期等信息

[>>TE Connectivity\(泰科\)](#)