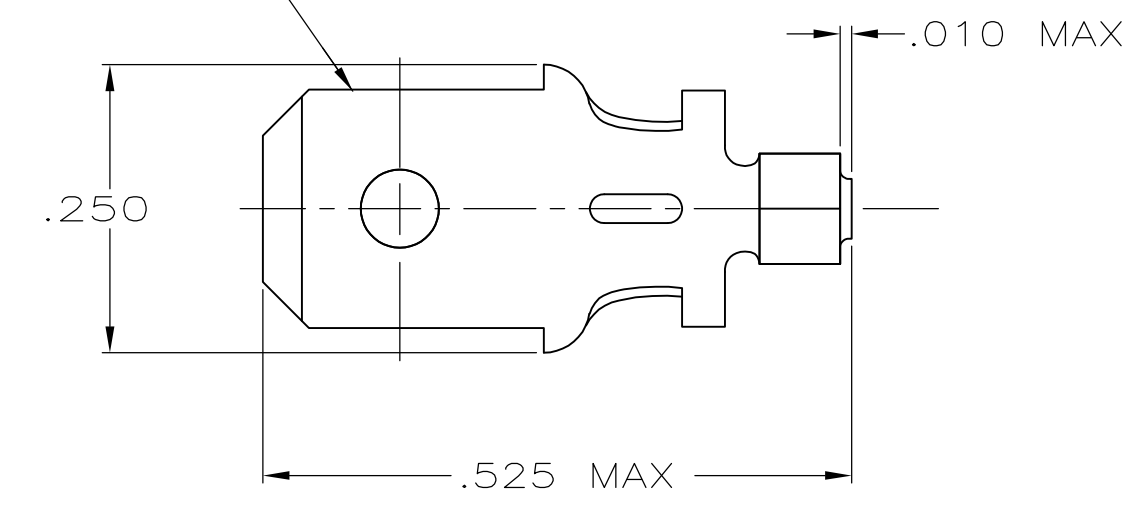


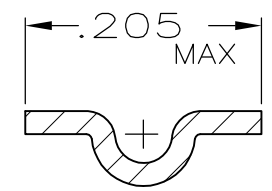
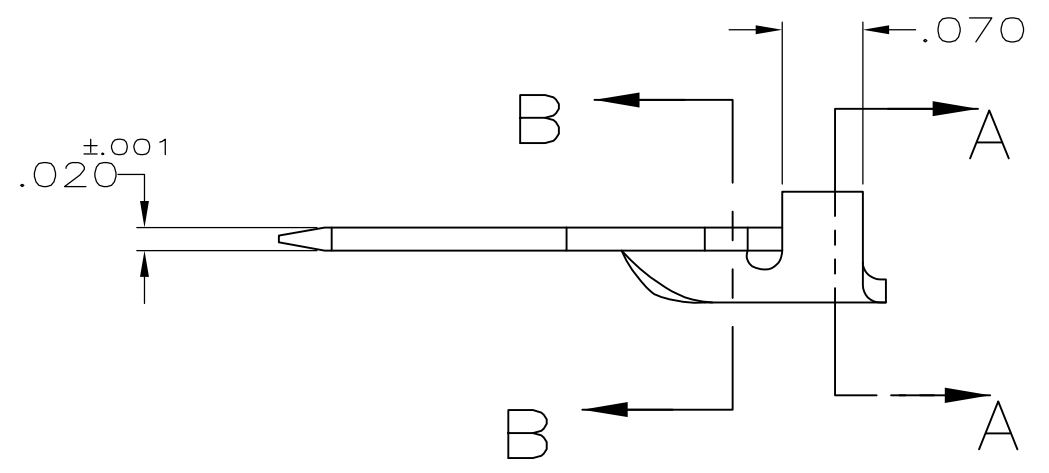
THIS DRAWING IS UNPUBLISHED. RELEASED FOR PUBLICATION
 © COPYRIGHT - By - ALL RIGHTS RESERVED.

LOC	DIST	REVISIONS			
P	LTR	DESCRIPTION	DATE	DWN	APVD
AF	50	E	REVISED PER ECR-13-001204	20JUN13	KH PD

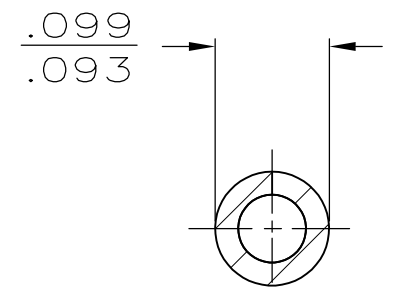
FITS .205 SERIES FASTON RECEPTACLE



- 1 FITS .100 / .095 DIA HOLE IN PC BOARD.
- 2 SUPPLIED IN LOOSE PIECE.



SECTION B-B



SECTION A-A

62411-1
PART NO

THIS DRAWING IS A CONTROLLED DOCUMENT.		DWN JR RUTH 12JUL88	TE Connectivity NAME TAB, FASTON, PCB, .205 SERIES											
DIMENSIONS: INCHES		CHK M FEHER 12JUL88												
TOLERANCES UNLESS OTHERWISE SPECIFIED:		APVD C MEYERS 12JUL88												
<table border="0"> <tr><td>0 PLC</td><td>± -</td></tr> <tr><td>1 PLC</td><td>± -</td></tr> <tr><td>2 PLC</td><td>± -</td></tr> <tr><td>3 PLC</td><td>± .010</td></tr> <tr><td>4 PLC</td><td>± -</td></tr> <tr><td>ANGLES</td><td>± -</td></tr> </table>		0 PLC				± -	1 PLC	± -	2 PLC	± -	3 PLC	± .010	4 PLC	± -
0 PLC	± -													
1 PLC	± -													
2 PLC	± -													
3 PLC	± .010													
4 PLC	± -													
ANGLES	± -													
MATERIAL BRASS	FINISH TIN .000150 MIN OVER COPPER	APPLICATION SPEC -	SIZE A3	CAGE CODE 00779	DRAWING NO C-62411	RESTRICTED TO -								
CUSTOMER DRAWING			SCALE 6:1	SHEET 1 OF 1	REV E									

单击下面可查看定价，库存，交付和生命周期等信息

[>>TE Connectivity\(泰科\)](#)