

REVISIONS

P	LTR	DESCRIPTION	DATE	DWN	APVD
	A	RELEASE	23MAY2018	H.T	H.T
	A2	MODIFY REEL PITCH	22OCT2018	H.T	H.T
	A3	ASSIGN SPECIFICATION NUMBER	09NOV2018	H.T	H.T

1. TECHNICAL PARAMETERS

FREQUENCY RANGE : 0~6GHz
 NOMINAL CHARACTERISTIC IMPEDANCE : 50Ω
 INSULATION RESISTANCE : 500MΩMIN
 INITIAL CONTACT RESISTANCE
 20mΩMAX(INNER CONTACT) / 20mΩMAX(OUTER CONTACT)
 WITH STANDING VOLTAGE : 200V AC 1min
 OPERATING TEMPERATURE : -40°C ~ +85°C

2. ELECTRICAL PERFORMANCE

VSWR : 1.3MAX (RANGE : 0~6GHz)

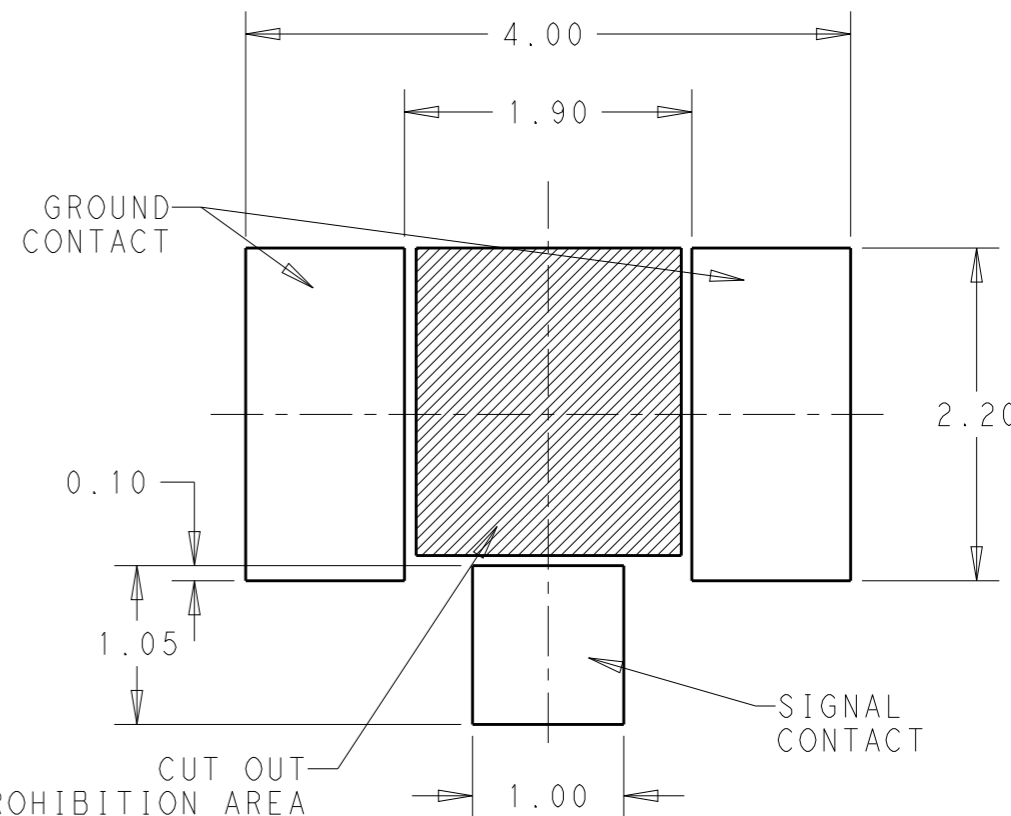
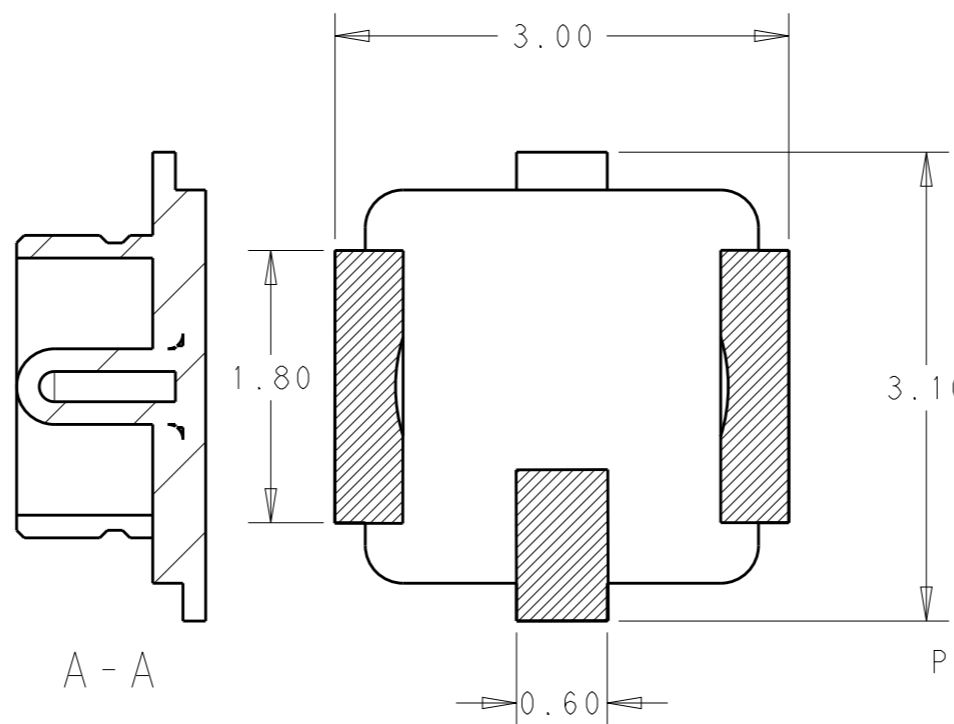
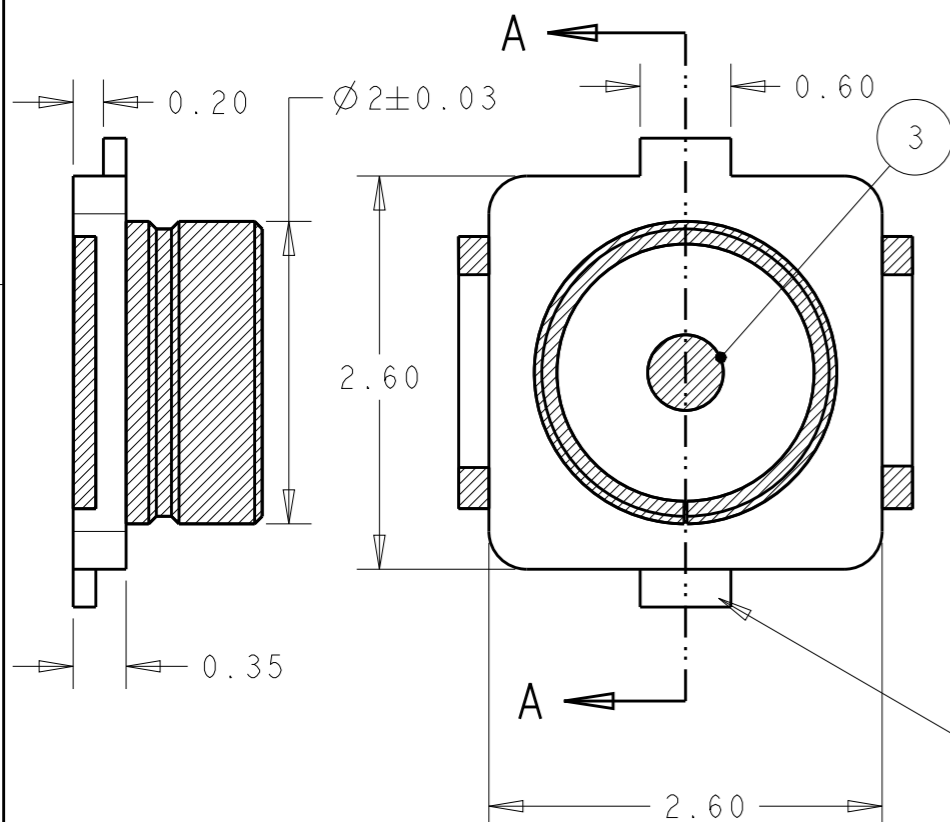
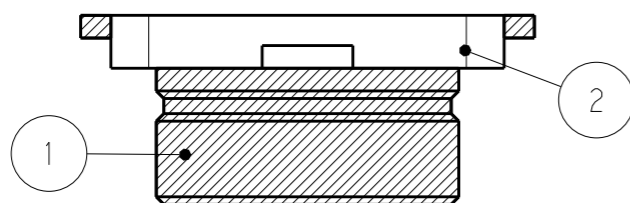
3. HATCHING FOR Au PLATING AREA. (Au PLATING : 0.05um MIN)

4. RoHS COMPLIANT

5. COPLANARITY : 0.1MAX

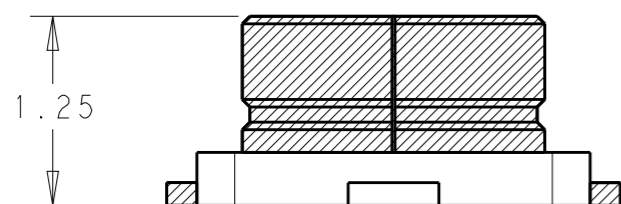
6. FITTING CONNECTOR
USS RF PLUG CONNECTOR

AS SHOWN : 2337019-1



STANDARD PCB LAYOUT SCALE 20:1

QTY	DESCRIPTION	ITEM
1	CENTER CONTACT	3
1	DIELECTRIC	2
1	SHELL	1

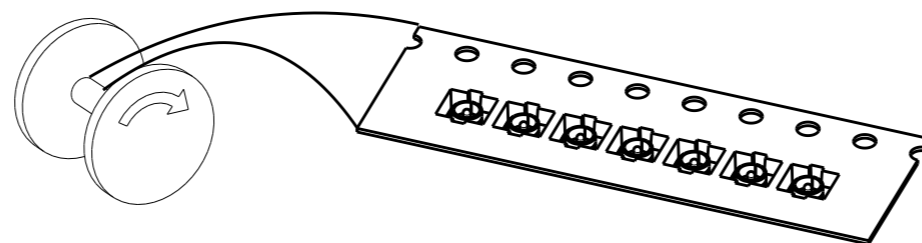
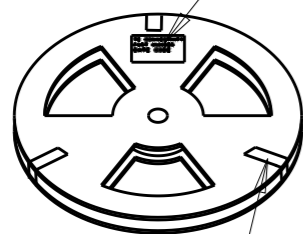


THIS DRAWING IS A CONTROLLED DOCUMENT.		DWN H. TAMURA	23MAY2018	STE TE Connectivity	
DIMENSIONS: mm		CHK -	APVD -		
TOLERANCES UNLESS OTHERWISE SPECIFIED: ±0.15		PRODUCT SPEC 108-140209		NAME RF, RECEPTACLE CONNECTOR GENERATION 1 COMPATIBLE WITH MHF	
0 PLC ± 1 PLC ± 2 PLC ± 3 PLC ± 4 PLC ± ANGLES ±3°		APPLICATION SPEC -		SIZE A3	CAGE CODE -
MATERIAL -		FINISH -		DRAWING NO C=2337019	
		WEIGHT 0.016		RESTRICTED TO -	
		CUSTOMER DRAWING		SCALE 20:1	SHEET 1 OF 2
				REV A3	

REVISIONS

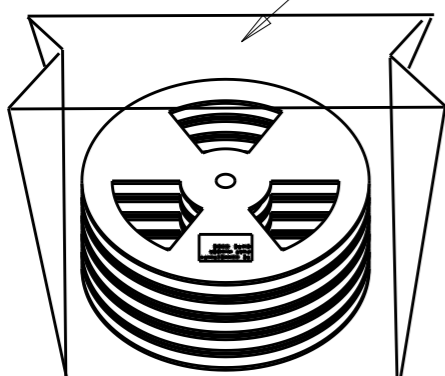
P	LTR	DESCRIPTION	DATE	DWN	APVD
-	-	SEE SHEET 1	-	-	-

PRODUCT LABEL



TRANSPARENT TAPE (*3)

WATERPROOF BAG



Ø1.50±0.05

4.00±0.10

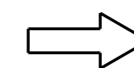
SIG

5.50±0.10

12.00

GND

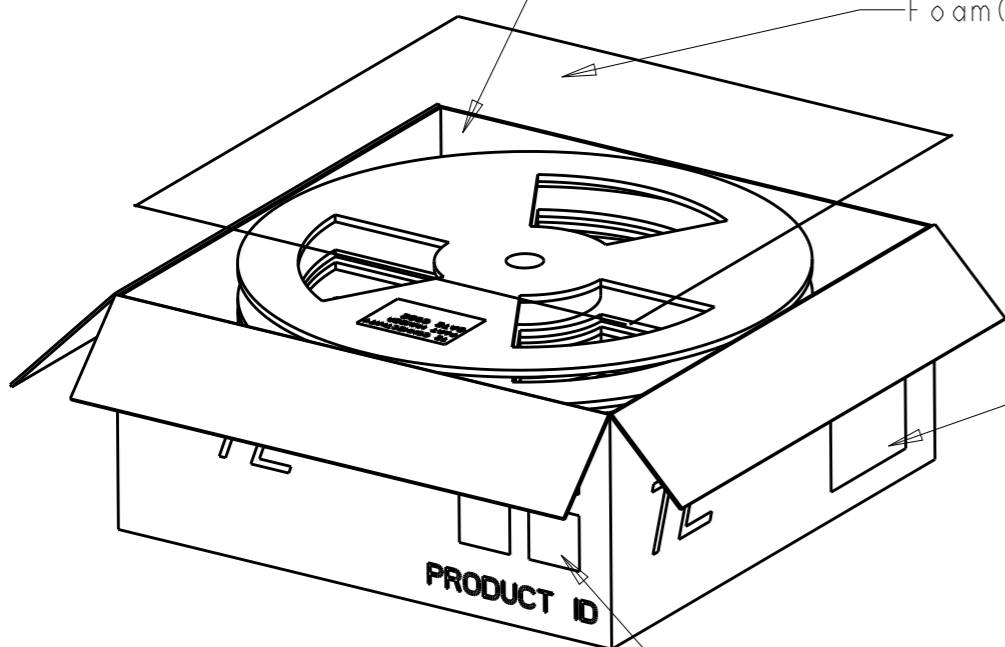
4±0.1



USER DIRECTION OF UNREELING

TRIANGULAR CARDBOARD (*4)

Foam (*2)



SIDE OF BOX
CUSTOMER LABEL

SHIPMENT LABEL
RoHs LABEL
PRODUCT LABEL

NOTE

- 10000 PCS / REEL
- 6 REEL / BOX
- 60000 PCS / BOX
- REEL DIAM : 380mm
- MATERIAL : PS 0.3mm
- REEL INNER WIDTH : 13±0.2
- REEL OUTER WIDTH : 18±0.2
- LEADER : 400mm MIN
- COVER TAPE LEGTH IN LEADER : 50mm MIN
- EMPTY IN LEADER : 500mm
- TRAILER(EMPTY) : 160mm MIN

THIS DRAWING IS A CONTROLLED DOCUMENT.

DWN H. TAMURA 23MAY2018

CHK -

APVD -

PRODUCT SPEC -

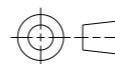
APPLICATION SPEC -

WEIGHT -

CUSTOMER DRAWING

DIMENSIONS:

mm



TOLERANCES UNLESS OTHERWISE SPECIFIED: ±0.15

- 0 PLC ±-
- 1 PLC ±-
- 2 PLC ±-
- 3 PLC ±-
- 4 PLC ±-
- ANGLES ±3°

MATERIAL -

FINISH -



TE Connectivity

NAME
RF, RECEPTACLE CONNECTOR
GENERATION 1
COMPATIBLE WITH MHF

SIZE A3 CAGE CODE - DRAWING NO C-2337019 RESTRICTED TO -

SCALE NTS SHEET 2 OF 2 REV A3

单击下面可查看定价，库存，交付和生命周期等信息

[>>TE Connectivity\(泰科\)](#)