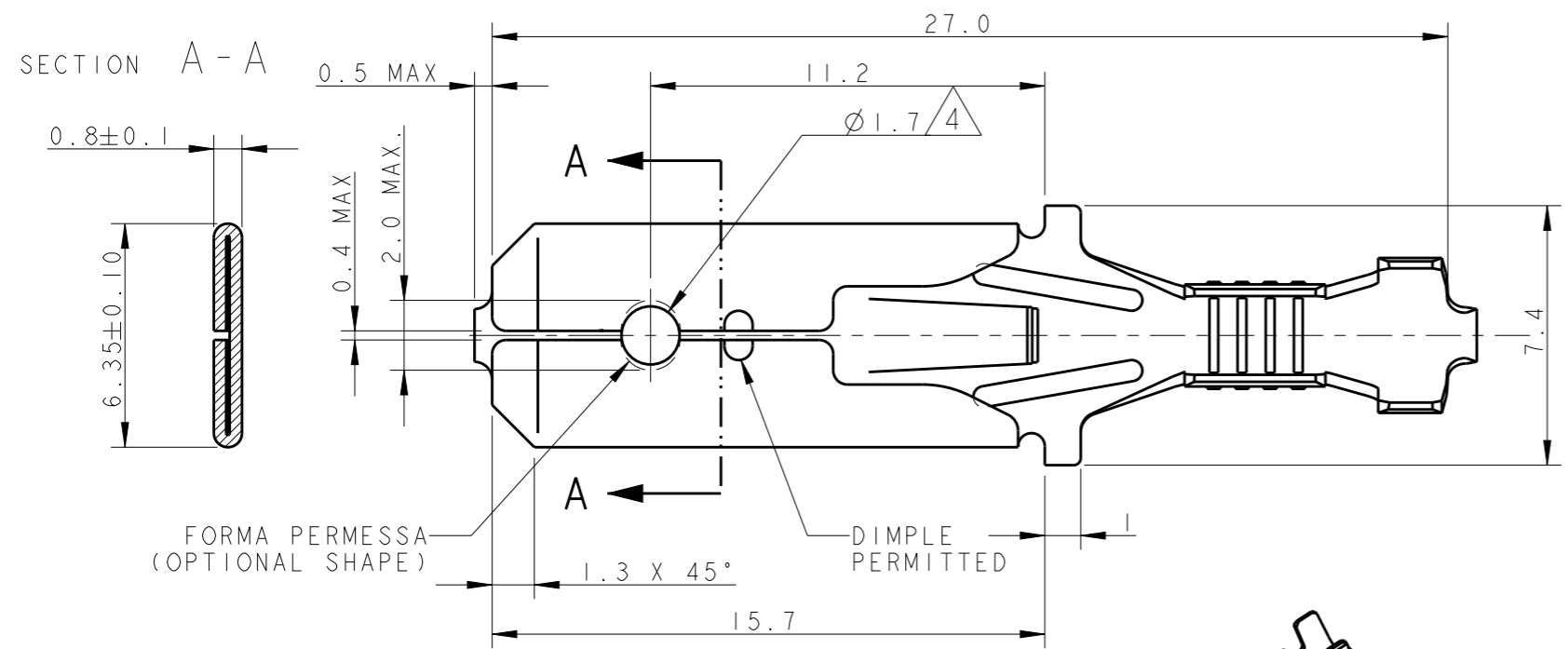
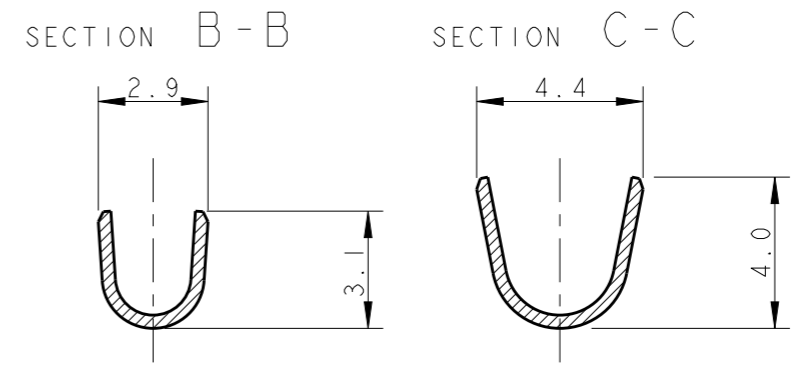
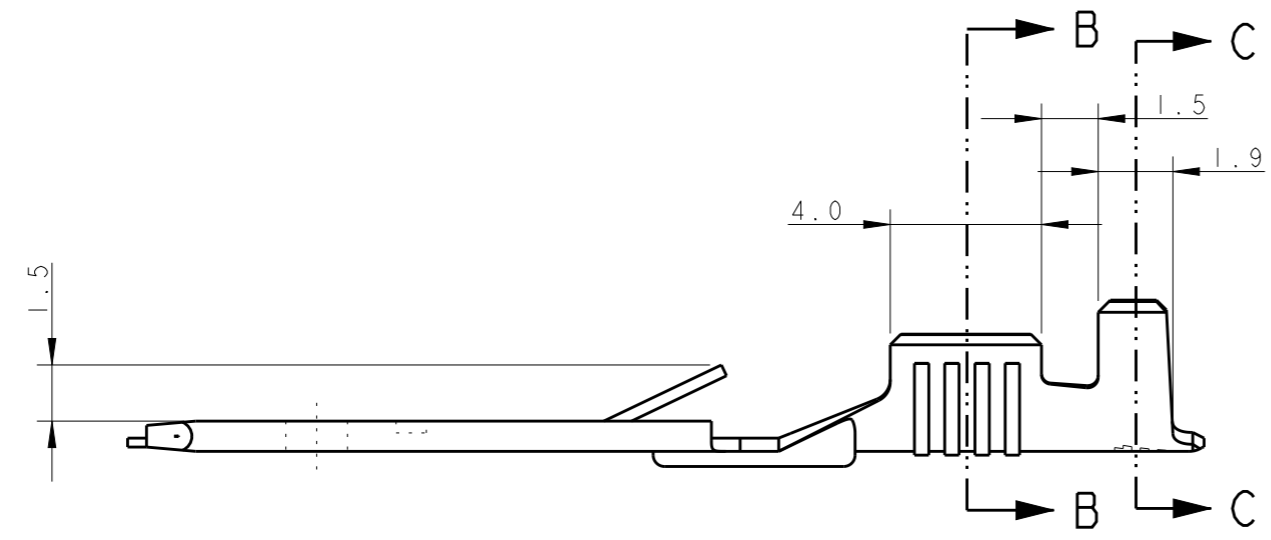
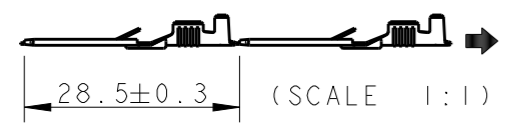


THIS DRAWING IS UNPUBLISHED. RELEASED FOR PUBLICATION 2004  
 © COPYRIGHT 2004 ALL RIGHTS RESERVED.

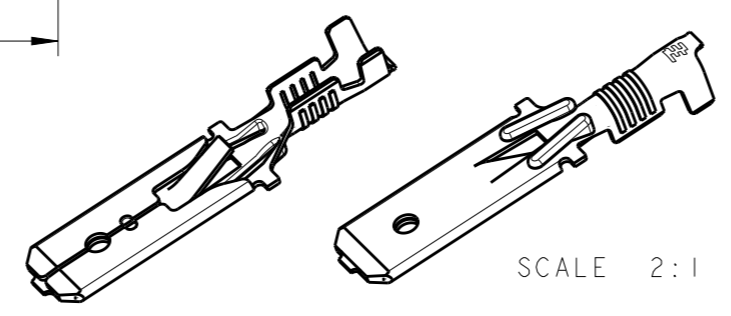
LOC	DIST	REVISIONS					
		P	LTR	DESCRIPTION	DATE	DWN	APVD
1	-	B3		REVISED PER ECO-11-005301	28MAR2011	RK	HMR
		B4		NEW PNs WITHOUT INTERLEAVE ADDED	20MAY2013	PKS	RRP
		C		PLATING INFO CORRECTED FOR 3- -2	17JUN2013	PKS	RRP
		C1		NEW PNs WITH NEW Q'TY ADDED	08APR2018	DT	TD



1) STATO DI FORNITURA (SUPPLY CONDITION, Scala 1:1)



SENSO DI USCITA DEL TERMINALE DALLA BOBINA (DIRECTION OFF TOP OF REEL)



NOTE (NOTES)	VERSIONI (VERSIONS)	FINITURA (FINISH)	MATERIALE (MATERIAL)	NUMERO (TE P/N)
		PRE-STAGNATO (PRE-TINNED)	OTTONE (BRASS)	3-293041-2
		NUDO (PLAIN)	OTTONE (BRASS)	3-293041-1
		PRE-STAGNATO (PRE-TINNED)	OTTONE (BRASS)	2-293041-2
		NUDO (PLAIN)	OTTONE (BRASS)	2-293041-1
		PRE-STAGNATO (PRE-TINNED)	OTTONE (BRASS)	7-293041-2
		PRE-STAGNATO (PRE-TINNED)	OTTONE (BRASS)	1-293041-2
		NUDO (PLAIN)	OTTONE (BRASS)	1-293041-1
		PRE-STAGNATO (PRE-TINNED)	OTTONE (BRASS)	6-293041-2
		NUDO (PLAIN)	OTTONE (BRASS)	6-293041-1
		PRE-STAGNATO (PRE-TINNED)	OTTONE (BRASS)	0-293041-2
		NUDO (PLAIN)	OTTONE (BRASS)	0-293041-1

2) BOBINATO SU BOBINA 12" CON CARTA INTERPOSTA (REELED ON 12" CARTON TYPE REEL WITH INTERLEAVE PAPER STRIP)

3) SPLICING STRIP PRODUCT BY SPOT WELDING PERMITTED

- VERSIONI CON FORO (VERSION WITH HOLE)
- REELED WITHOUT INTERLEAVE PAPER
- NEW PNs WITH NEW Q'TY ADDED

THIS DRAWING IS A CONTROLLED DOCUMENT.

DIMENSIONS:	TOLERANCES UNLESS OTHERWISE SPECIFIED:
mm	0 PLC ±0.3
	1 PLC ±0.3
	2 PLC ±0.3
	3 PLC ±0.3
	4 PLC ±0.3
	ANGLES ±2°
DIAM. ISOLANTE (INS. DIA. RANGE) Ø2.3 mm MAX	FINISH SEE TABLE
RANGO FILO (WIRE RANGE) 0.35-1.00 mm <sup>2</sup>	MATERIAL SEE TABLE

DWN 04 JUL 2005 H. Yaali  
 CHK G. Turco  
 APVD -

PRODUCT SPEC 108-20020  
 APPLICATION SPEC 114-20119  
 WEIGHT -

**STE** TE Connectivity

NAME FASTIN-FASTON Connector, 6.3 mm SR. TAB CONTACT

SIZE A3	CAGE CODE 00779	DRAWING NO C-293041	RESTRICTED TO -
---------	-----------------	---------------------	-----------------

Customer Drawing SCALE 5:1 SHEET 1 OF 1 REV C1

单击下面可查看定价，库存，交付和生命周期等信息

[>>TE Connectivity\(泰科\)](#)