

### SAFETY ORGANIZATIONS

THIS FILTER HAS BEEN FORMALLY RECOGNIZED, CERTIFIED OR APPROVED BY THE LISTED AGENCY. THEREFORE, ALL TEST/REQUIREMENTS SPECIFIED IN THE LATEST REVISION OF THE FOLLOWING AGENCY STANDARDS HAVE BEEN MET:

CSA CERTIFIED: CSA 22.2, # 8  
VDE APPROVED: ENG0939-2

### OPERATING SPECIFICATIONS

LINE CURRENT/VOLTAGE: 15 AMP, 120/250 VAC,  
10 AMP/40°C, 250 VAC

LINE FREQUENCY: 50-60Hz

MAXIMUM LEAKAGE CURRENT,  
EACH LINE TO GROUND:

2  $\mu$ A @ 120V 60Hz  
5  $\mu$ A @ 250V 50Hz

OPERATING AMBIENT TEMP. RANGE: -10°C TO +40°C @ RATED CURRENT,  $I_r$ .

IN AN AMBIENT,  $T_a$ , HIGHER THAN 40°C, THE MAXIMUM OPERATING CURRENT,  $I_o$ , IS AS FOLLOWS:

$$I_o = I_r \sqrt{\frac{100 - T_a}{60}}$$

### RELIABILITY SPECIFICATIONS:

STORAGE TEMPERATURE: -40°C TO +85°C  
HUMIDITY: 21 DAYS @ 40°C 95% RH.  
CURRENT OVERLOAD TEST: 6 TIMES  $I_r$  FOR  
8 SECONDS

### TEST SPECIFICATIONS:

INDUCTANCE: 0.13 mH NOMINAL  
CAPACITANCE: (MEASURED @ 1KHz, 0.250VAC MAX., 25°C±1°C)  
LINE TO GROUND: NONE  
LINE TO LINE: 0.047  $\mu$ F±20%  
DISCHARGE RESISTOR: 1.5 M $\Omega$   
L/G AND L/L I.R.  
NO DISCHARGE RESISTOR: 6000M $\Omega$  (MIN.) @ 100VDC,  
20°C AND 50% RH

### RECOMMENDED RECEIVING INSPECTION HIPOT:

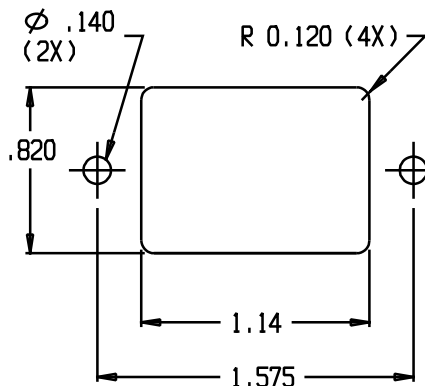
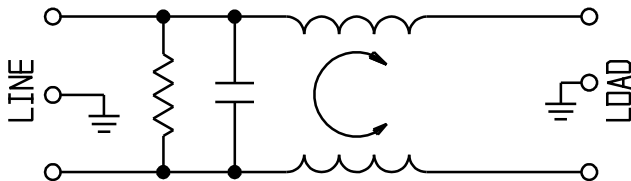
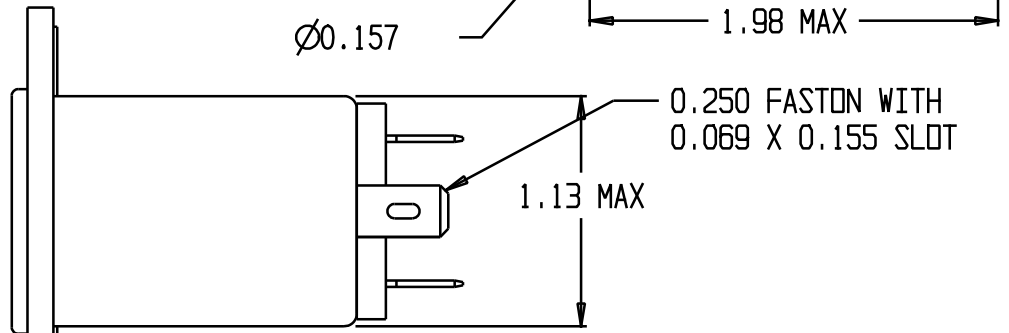
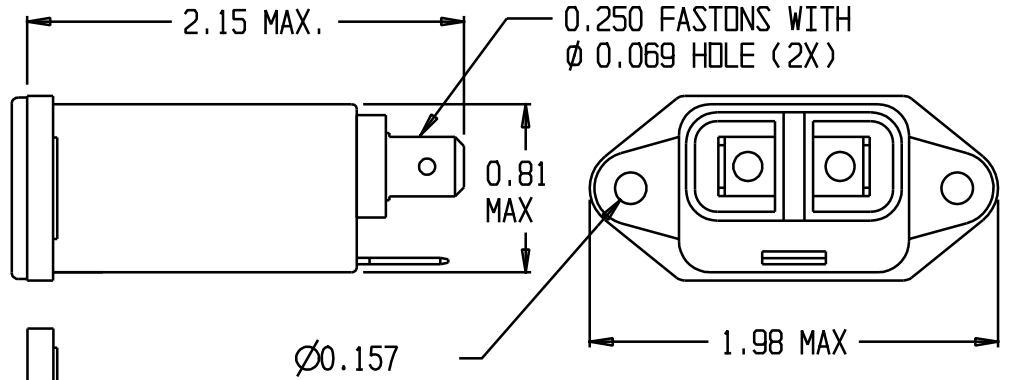
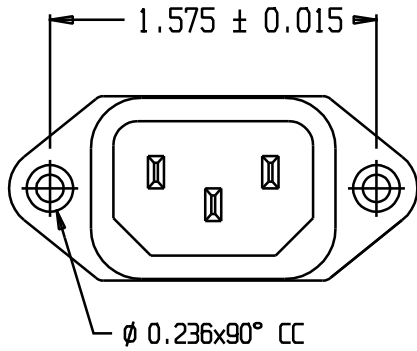
LINE TO GROUND: 1500VAC OR 2250VDC FOR 1 MINUTE  
LINE TO LINE: 1450VDC FOR 1 MINUTE

### FILTER APPROVAL:

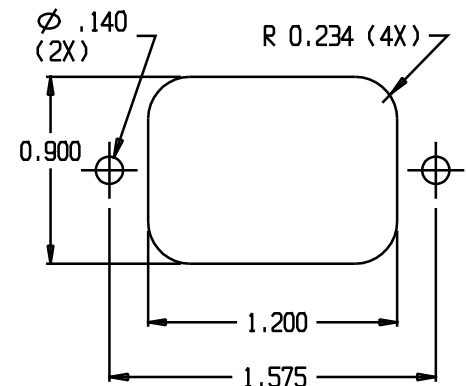
THE BEST WAY TO SELECT AND QUALIFY A FILTER IS FOR YOUR ENGINEERING TO TEST THE UNIT IN YOUR EQUIPMENT.

### CATALOG # 15EBH1

ECN #	APPRVD.	DATE
	PJD	13JUL11



PANEL CUTOUT (FRONT MOUNT)  
TOLERANCE ±.005

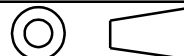


PANEL CUTOUT (BACK MOUNT)  
TOLERANCE ±.005

### 50 $\Omega$ - 50 $\Omega$ (MINIMUM) INSERTION LOSS

FREQUENCY MHz	.05	.10	.15	.50	1	3	5	10	30		
COMMON dB			1	3	4	-	5	6	6		
DIFF. dB			1	10	18	26	30	31	31		

THIRD ANGLE PROJECTION



UNLESS OTHERWISE SPECIFIED,  
TOLERANCE TO BE ±.025  
MATERIAL & FINISH: AS SUPPLIED

THIS INFORMATION IS CONFIDENTIAL AND PROPRIETARY TO TYCO ELECTRONICS CORPORATION AND ITS WORLDWIDE SUBSIDIARIES AND AGENTS. IT MAY NOT BE REPRODUCED TO ANYONE OTHER THAN AUTHORIZED.

Downloaded From [Oneyac.com](http://Oneyac.com)

**TE** TE Connectivity

### CUSTOMER DRAWING 15EBH1

TYCO ELECTRONICS PART NO. 6609003-5		CATALOG NO.		REV.
SCALE: NTS	DATE: 01DEC08	15EBH1		B
DRW. BY: PJD	DRG: PJD			

单击下面可查看定价，库存，交付和生命周期等信息

[>>TE Connectivity\(泰科\)](#)