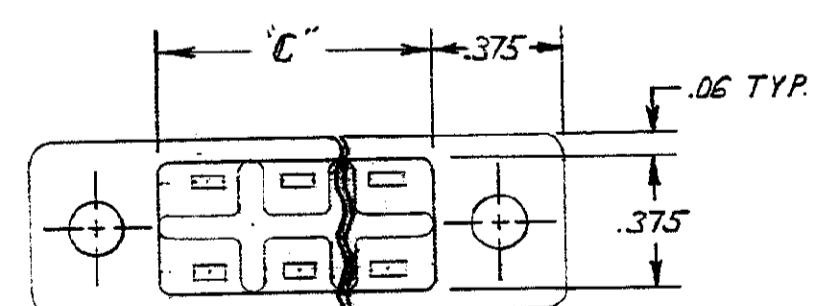
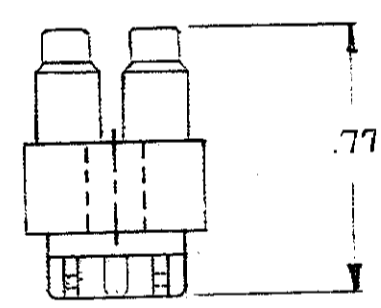
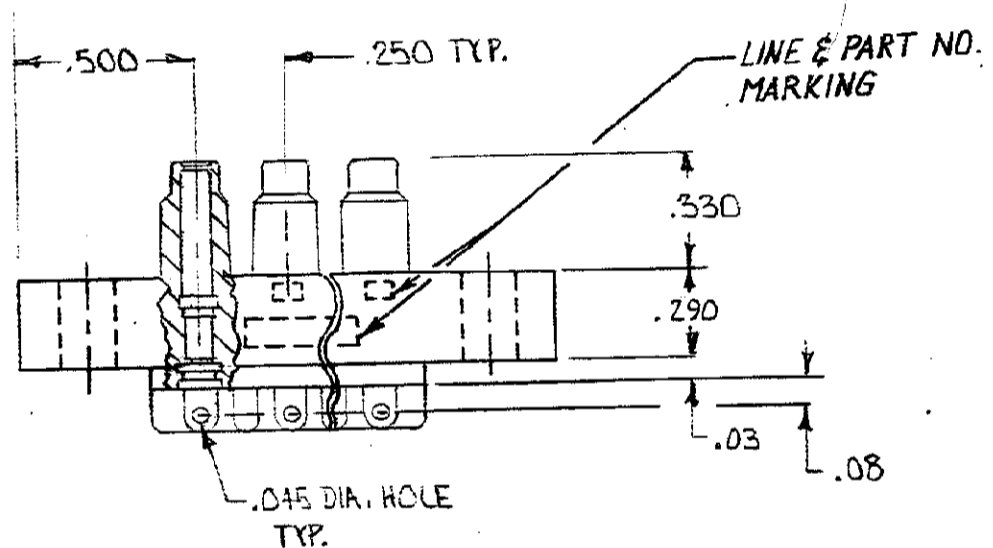
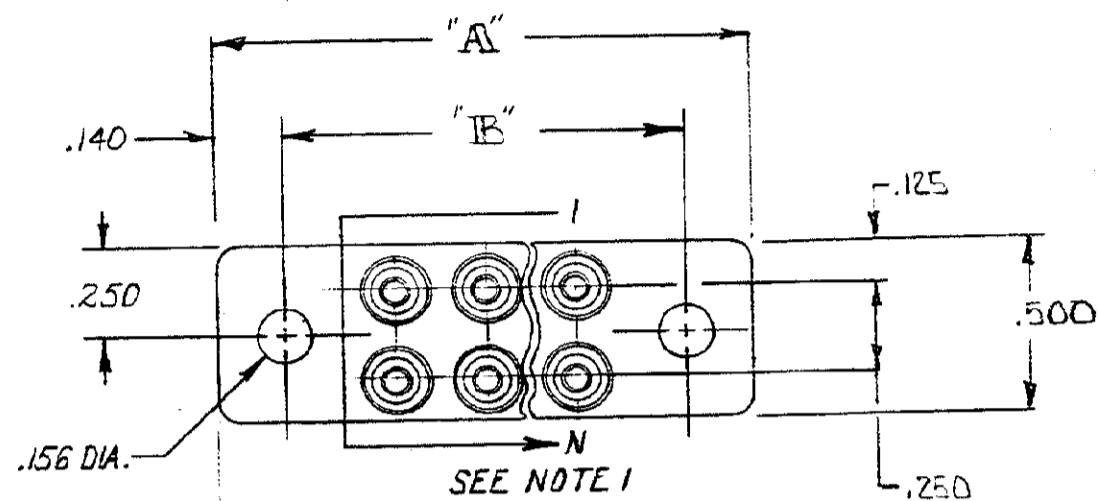


DRAWING MADE IN THIRD ANGLE PROJECTION

© COPYRIGHT 1977 BY AMP INCORPORATED, HARRISBURG, PA. ALL INTERNATIONAL RIGHTS RESERVED. AMP INCORPORATED PRODUCTS COVERED BY U. S. AND FOREIGN PATENTS AND/OR PATENTS PENDING.

LOC DIST OF 50

| REVISIONS | | | | | |
|-----------|---|------|-----|--|---------------|
| P | F | ZONE | LTR | DESCRIPTION | DATE APPROVED |
| | | | | WAS SK-5685BA1 | 9-20-77 |
| | | | O | RELEASED FOR PROD. | RN 9/21/77 |
| | | | A | ADDED NOTE 1 & MARKING ECN 8180 | RN 10-28-77 |
| | | B-3 | B | .290 WAS .260, .03 WAS .06, ECN 8192, DS | 11-16-77 |
| | | | C | REV CONES ECN 8227 | RN 2-15-78 |
| | | | D | REV. PER ECN. 8740 | AS 3-27-78 |
| | | | E | OBSOLETE -3 ECN S3G14 | 1-19-87 |
| | | | F | OBSOLETE -5 ECN L1556 | 4-7-87 |
| | | | F | REACTIVATED -5 ECN S3524 | |
| | | | G | OBS-1-6-LELNAF0376 | 2P 2-89 |



| AMP P/N | CONTACTS | "A" DIM. | "B" DIM. | "C" DIM. |
|-------------------|----------|----------|----------|----------|
| OBSOLETE 863769-1 | 2 | 1.000 | .719 | .250 |
| 863769-2 | 4 | 1.250 | .969 | .500 |
| OBSOLETE 863769-3 | 6 | 1.500 | 1.219 | .750 |
| 863769-4 | 8 | 1.750 | 1.469 | 1.000 |
| 863769-5 | 10 | 2.000 | 1.719 | 1.250 |
| OBS 863769-6 | 12 | 2.250 | 1.969 | 1.500 |

NOTE:
1. LINE NUMBERS ARE MARKED ON THE SIDES COUNTING FROM 1 TO N AS SHOWN (N=NUMBER OF CONTACTS).

| | | | | | | | | | |
|-----------|--|-------------|--|--|--|------------------------------|--|--|--|
| | | | | UNLESS OTHERWISE SPECIFIED DIMENSIONS ARE IN INCHES. TOLERANCES: .00 ± .02 .000 ± .005 ANGLES ± | | CONTRACT NO | | PART NO | |
| | | | | MATERIAL MOLDED GLASS EPOXY | | DR <i>R.E. Fry</i> 8-2-77 | | AMP INCORPORATED Elizabethtown, Pa. | |
| | | | | FINISH BLACK | | CHK | | NAME SOCKET HOUSING ASSEMBLY (LGH) | |
| | | | | | | APPD <i>H. Hansen</i> 8-3-77 | | SIZE CODE IDENT NO DRAWING NO | |
| | | | | | | APPD <i>R.E. Fry</i> 9-21-77 | | C 00779 863769 | |
| | | | | | | DSGN APPD | | SCALE <i>1/16</i> SHEET 1 OF 1 | |
| | | | | | | OTHER APPD | | | |
| NEXT ASSY | | FINAL ASSY | | NEXT ASSY | | USED ON | | | |
| QTY REQD | | APPLICATION | | | | | | | |

单击下面可查看定价，库存，交付和生命周期等信息

[>>TE Connectivity\(泰科\)](#)