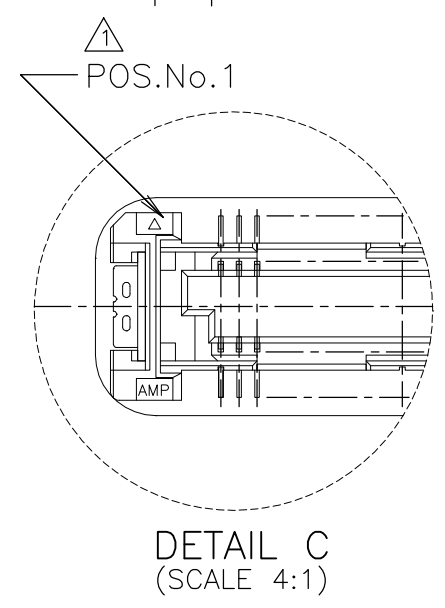
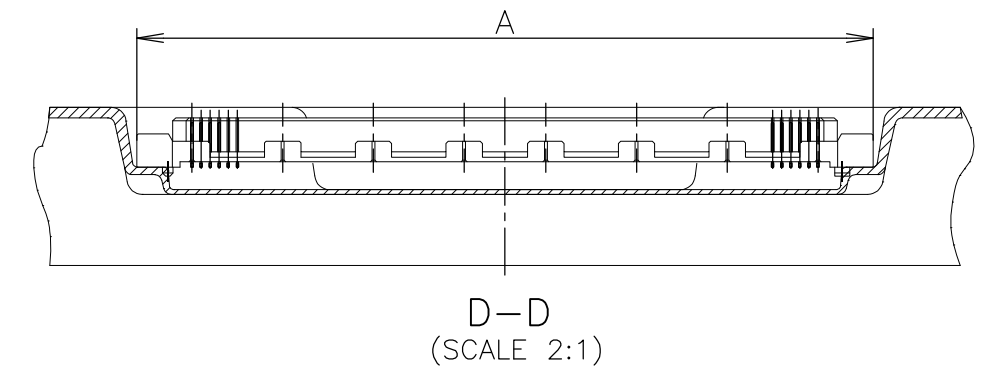
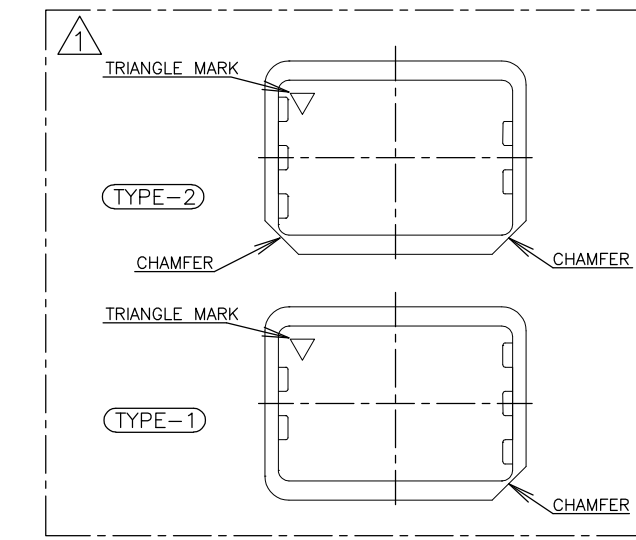
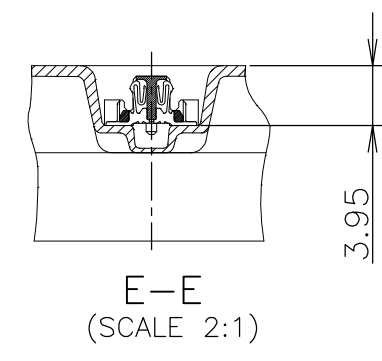
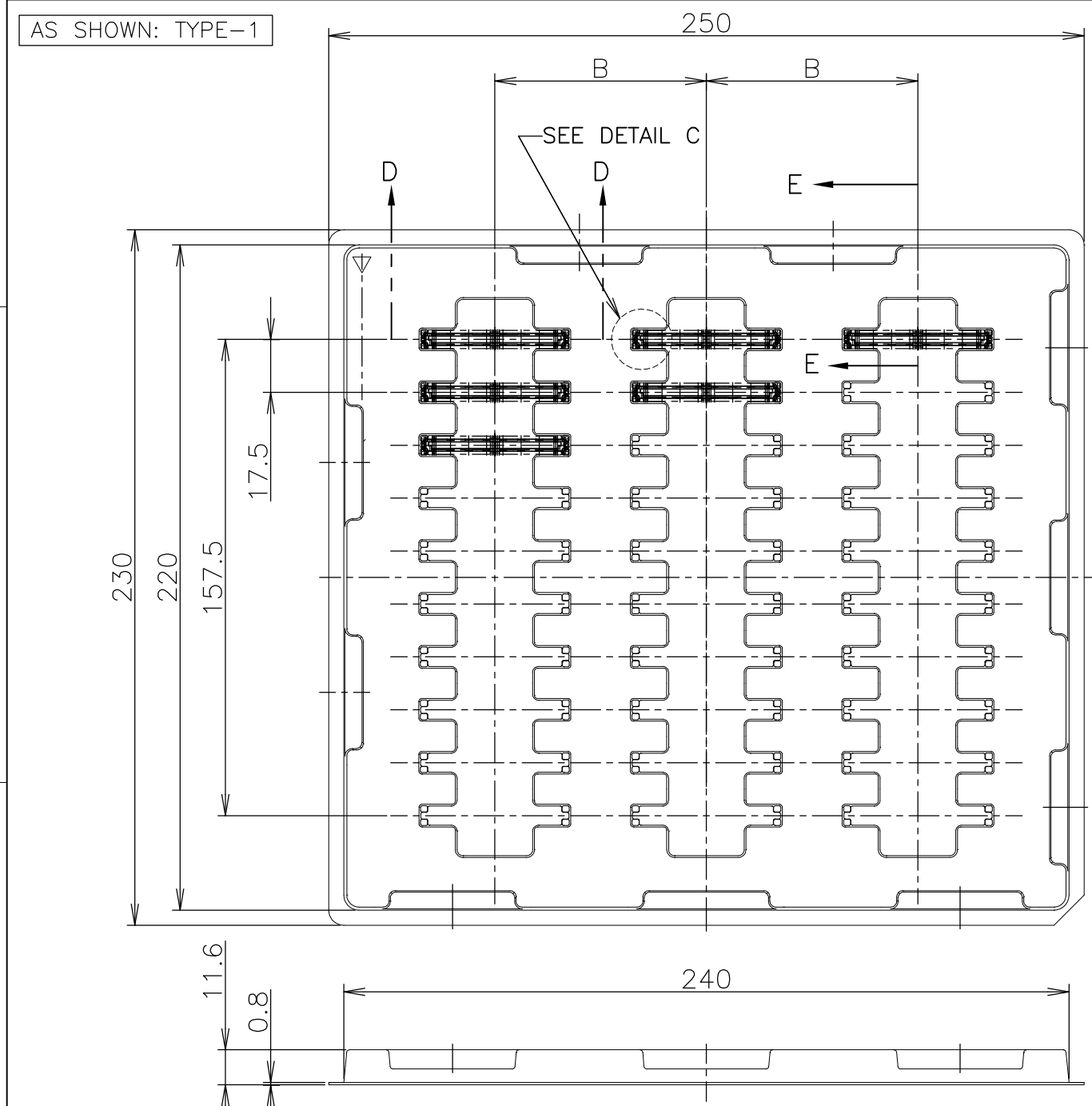


THIS DRAWING IS UNPUBLISHED. RELEASED FOR PUBLICATION MAY, 1995.
 © COPYRIGHT 1995 BY TYCO ELECTRONICS CORPORATION. ALL RIGHTS RESERVED.

LOC		DIST		REVISIONS		
P	LTR	DESCRIPTION	DATE	DWN	APVD	
J		B	REVISED	11JUN07	Y.S	Y.N



▲ TRAY TYPE-1 AND TYPE-2 MUST BE
 PILED UP BY TURNS.
 (REFER TO PACKING SPECIFICATIONS)

5	50	43	21.7	50	2013012-3
ROW	QTY	B	A	POS.	PART NO.

THIS DRAWING IS A CONTROLLED DOCUMENT.		DWN	Y.SHINO	8MAY07	Tyco Electronics AMP K.K. Kawasaki,Japan
DIMENSIONS: MM		CHK	Y.NAKAZAWA	8MAY07	
TOLERANCES UNLESS OTHERWISE SPECIFIED:		APVD	T.FUTATSUGI	8MAY07	
0 PLC ± - 1 PLC ± - 2 PLC ± - 3 PLC ± - 4 PLC ± - ANGLES ± - FINISH ± -		NAME		TRAY ASSY	
GENERAL TOLERANCE		PRODUCT SPEC		FH 0.6BTB CONNECTOR	
10 ≥ * : ± 0.2		APPLICATION SPEC		REC 4H Au PLATED 0.00076MM	
30 ≥ * > 10 : ± 0.25		WEIGHT		SIZE	CAGE CODE
100 ≥ * > 30 : ± 0.3		CUSTOMER DRAWING		A3	00779
ANGLES: ± 3°		SCALE		DRAWING NO	
		1:2		C-2013012	
		SHEET		RESTRICTED TO	
		1 OF 2		REV B	

4

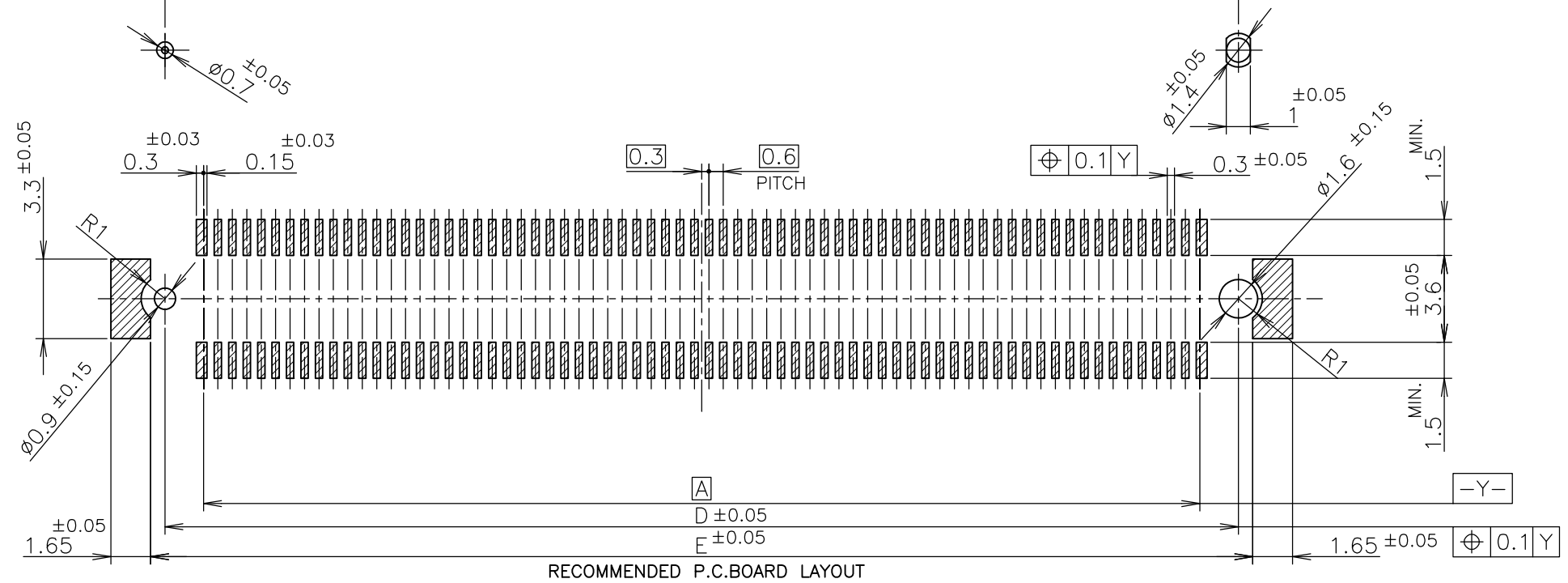
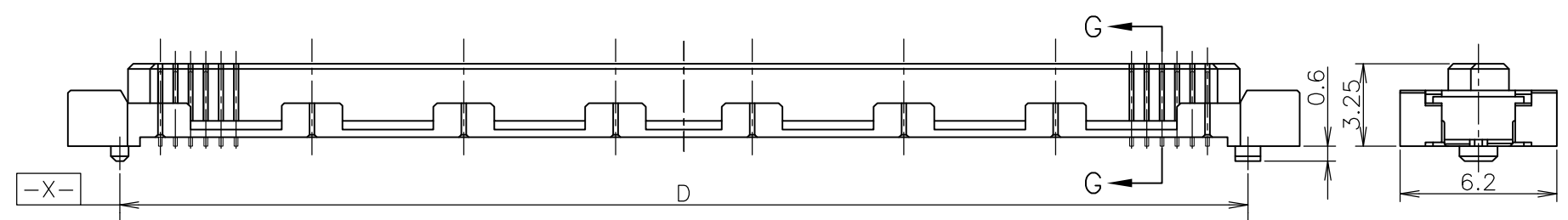
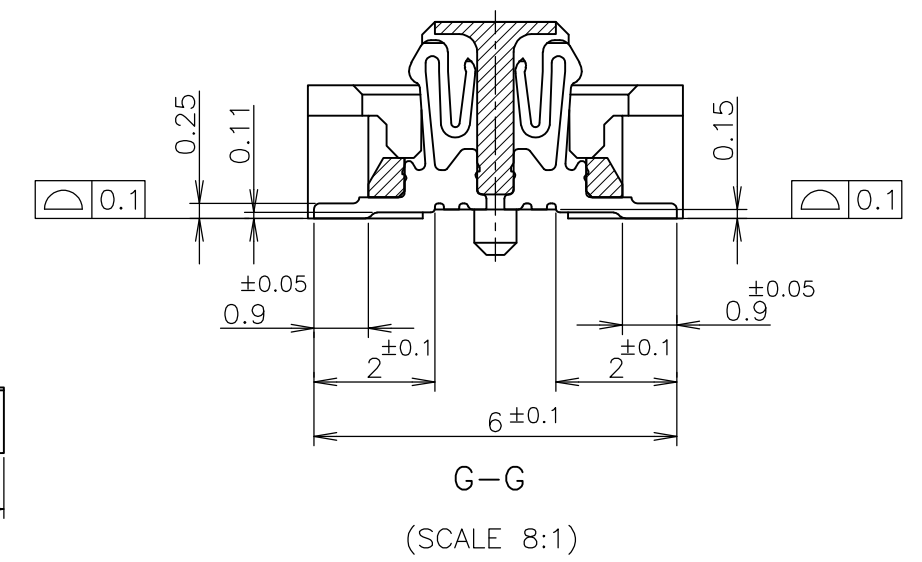
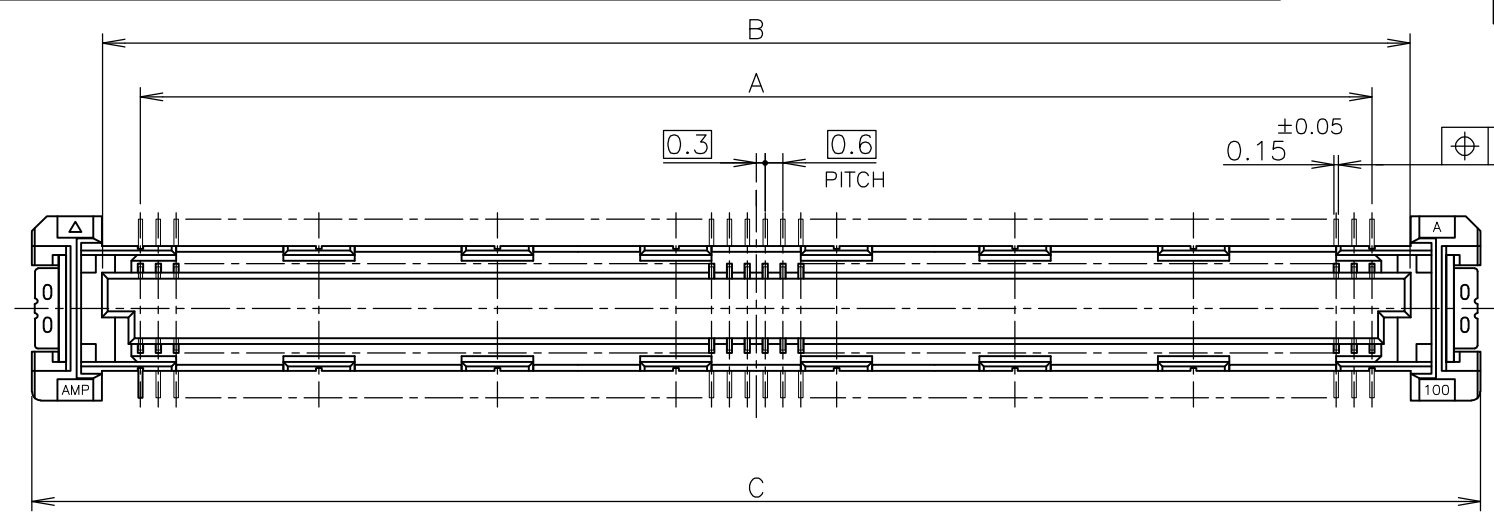
3

2

1

THIS DRAWING IS UNPUBLISHED. RELEASED FOR PUBLICATION MAY, 1995.
 © COPYRIGHT 1995 BY TYCO ELECTRONICS CORPORATION. ALL RIGHTS RESERVED.

LOC	DIST	REVISIONS					
J		P	LTR	DESCRIPTION	DATE	DWN	APVD
		-	-	SEE SHEET 1	-	-	-



RECOMMENDED P.C.BOARD LAYOUT

- ② MATERIAL ; HOUSING : HIGH TEMP THERMO PLASTIC
UL94V-0
- CONTACT : COPPER ALLOY
- SOLDER PEG : COPPER ALLOY
- ③ FINISH ; CONTACT
- UNDER PL Ni 0.0013mm MIN ALL OVER.
- CONTACT AREA: 0.00076 MIN Au PL.
- SOLDERING AREA: 0.00005 MIN Au PL.
- SOLDER PEG
- UNDER PL Ni 0.0005mm MIN ALL OVER.
- ALL OVER : 0.003mm MIN Sn-Pb PL.
- 4. SEE PACKING ASSY DWG AS FINAL ASSY PART NUMBER.

THIS DRAWING IS A CONTROLLED DOCUMENT.		DWN	Tyco Electronics		Tyco Electronics AMP K.K.	
DIMENSIONS: MM		CHK	NAME		Kawasaki.Japan	
TOLERANCES UNLESS OTHERWISE SPECIFIED:		APVD	PRODUCT SPEC		TRAY ASSY	
0 PLC ± 0.3		PRODUCT SPEC	APPLICATION SPEC		FH 0.6BTB CONNECTOR	
1 PLC ± 0.3		APPLICATION SPEC	SIZE		REC 4H Au PLATED 0.00076MM	
2 PLC ± 0.3		WEIGHT	CAGE CODE	DRAWING NO	RESTRICTED TO	
3 PLC ± 0.3			A3	00779	C-2013012	
4 PLC ± 0.3			CUSTOMER DRAWING		SCALE	SHEET
ANGLES ± 3°					4:1	2 OF 2
FINISH					REV	B
②	③					

18.8	17.6	21.7	17	14.4	50
E	D	C	B	A	POS

单击下面可查看定价，库存，交付和生命周期等信息

[>>TE Connectivity\(泰科\)](#)