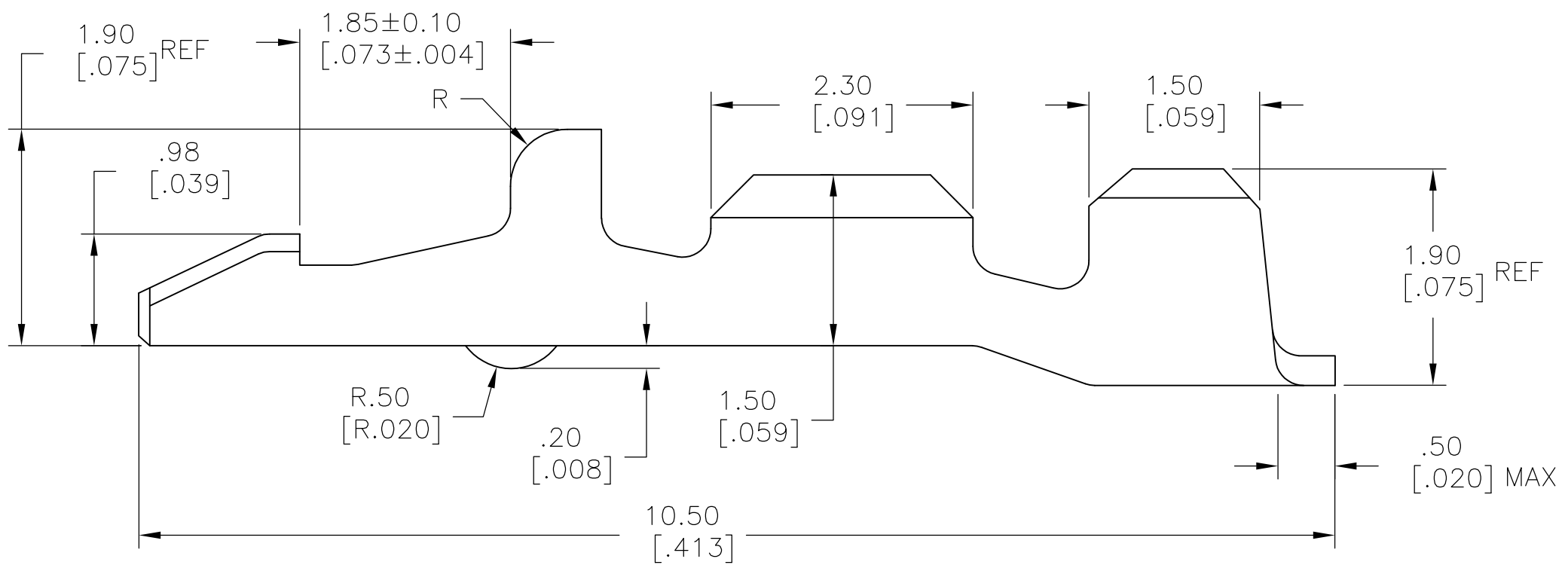
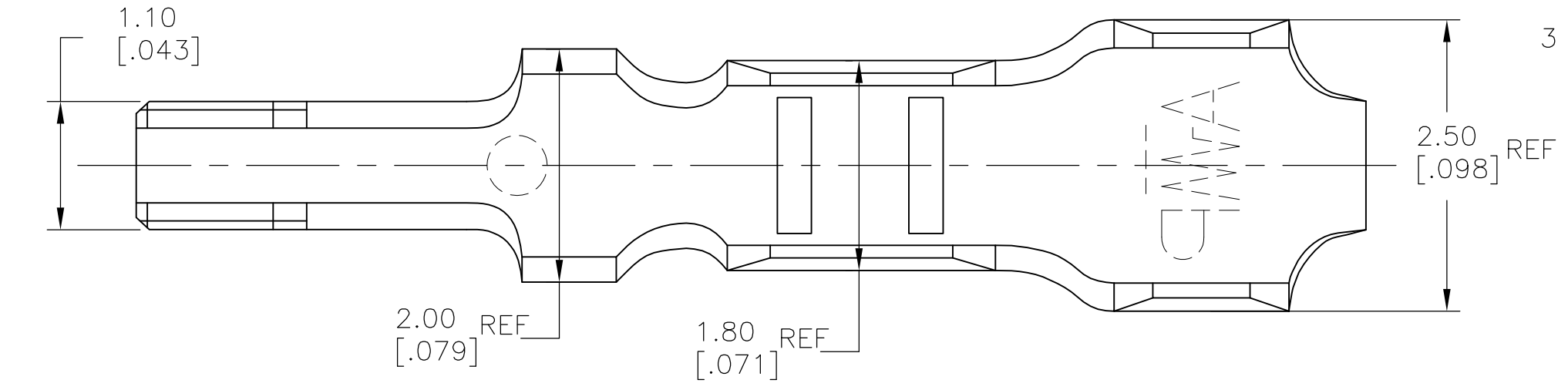


THIS DRAWING IS UNPUBLISHED. RELEASED FOR PUBLICATION  
 © COPYRIGHT - By - ALL RIGHTS RESERVED.

LOC	DIST	REVISIONS					
		P	LTR	DESCRIPTION	DATE	DWN	APVD
-	-		E	REVISED PER ECR-14-016288	20NOV2014	NK	GJ

- 1 PRODUCT SPECIFICATION: 108-5087.
- 2 APPLICATION SPEC: 114-5014.
- 3 PC BOARD THICKNESS 1.60±0.14[.063±.005]  
 HOLE DIAMETER 1.20±0.00[.047±.000]  
 (DRILL SIZE).



THIS DRAWING IS A CONTROLLED DOCUMENT.

DWN *H. Skubogzki* 08/01/74  
 CHK *Y. Sebel* 08/01/74  
 APVD *[Signature]* - NAME



DIMENSIONS: mm [INCHES]	TOLERANCES UNLESS OTHERWISE SPECIFIED:
	0 PLC ± -
	1 PLC ± -
	2 PLC ± 0.40[.015]
	3 PLC ± -
	4 PLC ± -
	ANGLES ± 1°

WIRE RANGE  
 0.05~0.15 mm<sup>2</sup>  
 [.000071~.00023 SQ IN]  
 (AWG #30-#26)

INSULATION DIA  
 0.66~1.22 mm  
 [.026~.048 IN]

MATERIAL  
 BRASS

FINISH  
 POST PLATED  
 TIN OVER Ni

PRODUCT SPEC -  
 APPLICATION SPEC -  
 WEIGHT -

MINI AMP-IN			
SIZE	CAGE CODE	DRAWING NO	RESTRICTED TO
A3	00779	C-170198	-

CUSTOMER DRAWING SCALE 12:0 SHEET 1 OF 1 REV E

单击下面可查看定价，库存，交付和生命周期等信息

[>>TE Connectivity\(泰科\)](#)