

THIS DRAWING IS UNPUBLISHED.

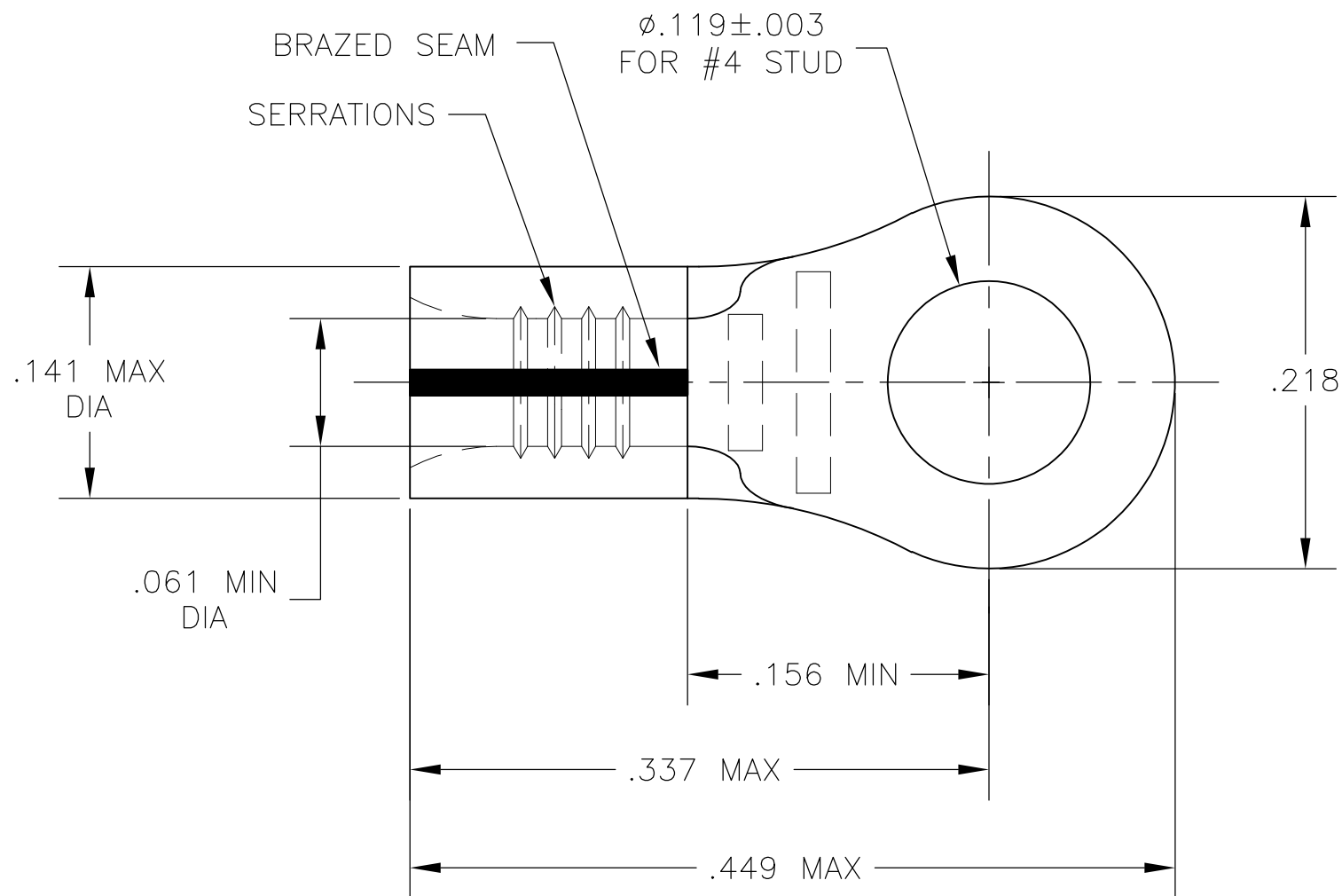
RELEASED FOR PUBLICATION

© COPYRIGHT - By -


ALL RIGHTS RESERVED.

LOC	DIST	REVISIONS			
P	LTR	DESCRIPTION	DATE	DWN	APVD
G	14	E1	REVISED PER ECO-13-012955	13AUG13	KH DR

- 1 TONGUE MATERIAL THICKNESS .031±.002
- 2 MARKING 22-18 FOR MILITARY COMMERCIAL RANGE 22-16
- 3 NOTE DELETED
- △4 COPPER PER ASTM B-152
- △5 NICKEL PLATE PER QQ-N-290



500	LOOSE PIECE	2-322796-1
QTY	PACKAGE TYPE	PART NO

THIS DRAWING IS A CONTROLLED DOCUMENT.		DWN	jr_ruth	16APR04	 TE Connectivity											
DIMENSIONS: INCHES		CHK	MJ SPICER	16APR04												
TOLERANCES UNLESS OTHERWISE SPECIFIED:		APVD	MJ SPICER	16APR04												
<table border="0"> <tr><td>0 PLC</td><td>± -</td></tr> <tr><td>1 PLC</td><td>± -</td></tr> <tr><td>2 PLC</td><td>± -</td></tr> <tr><td>3 PLC</td><td>± .008</td></tr> <tr><td>4 PLC</td><td>± -</td></tr> <tr><td>ANGLES</td><td>± 5°</td></tr> </table>		0 PLC	± -	1 PLC		± -	2 PLC	± -	3 PLC	± .008	4 PLC	± -	ANGLES	± 5°	PRODUCT SPEC	NAME
0 PLC	± -															
1 PLC	± -															
2 PLC	± -															
3 PLC	± .008															
4 PLC	± -															
ANGLES	± 5°															
MATERIAL		APPLICATION SPEC		WIRE TERMINAL, RING TONGUE, SOLISTRAND - STRATO-THERM, WIRE SIZE: 22-16												
FINISH		WEIGHT		SIZE	RESTRICTED TO											
△4		-		A300779	-											
△5		CUSTOMER DRAWING		DRAWING NO	C-322796											
		SCALE		SHEET	REV											
		10:1		1 OF 1	E1											

单击下面可查看定价，库存，交付和生命周期等信息

[>>TE Connectivity\(泰科\)](#)