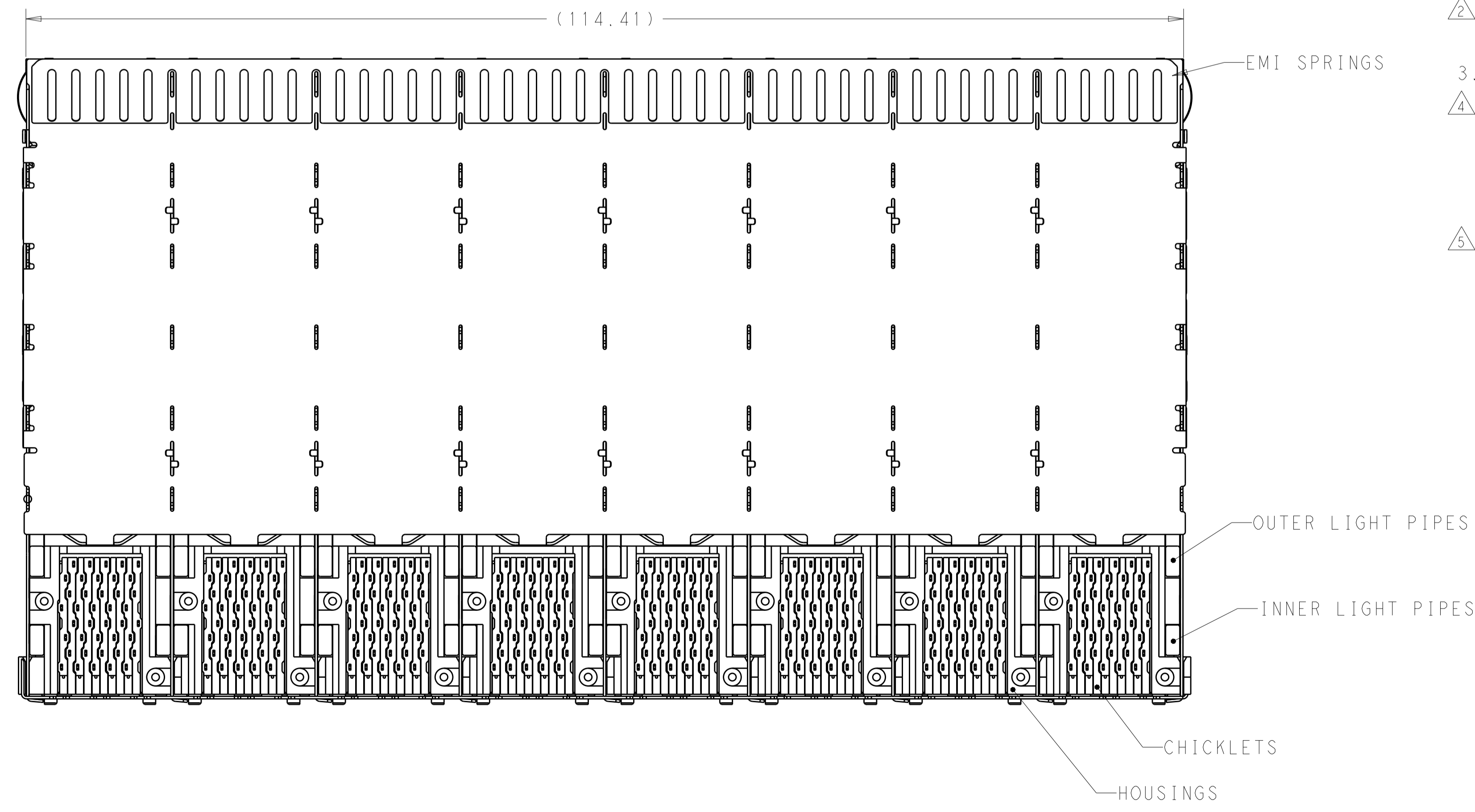
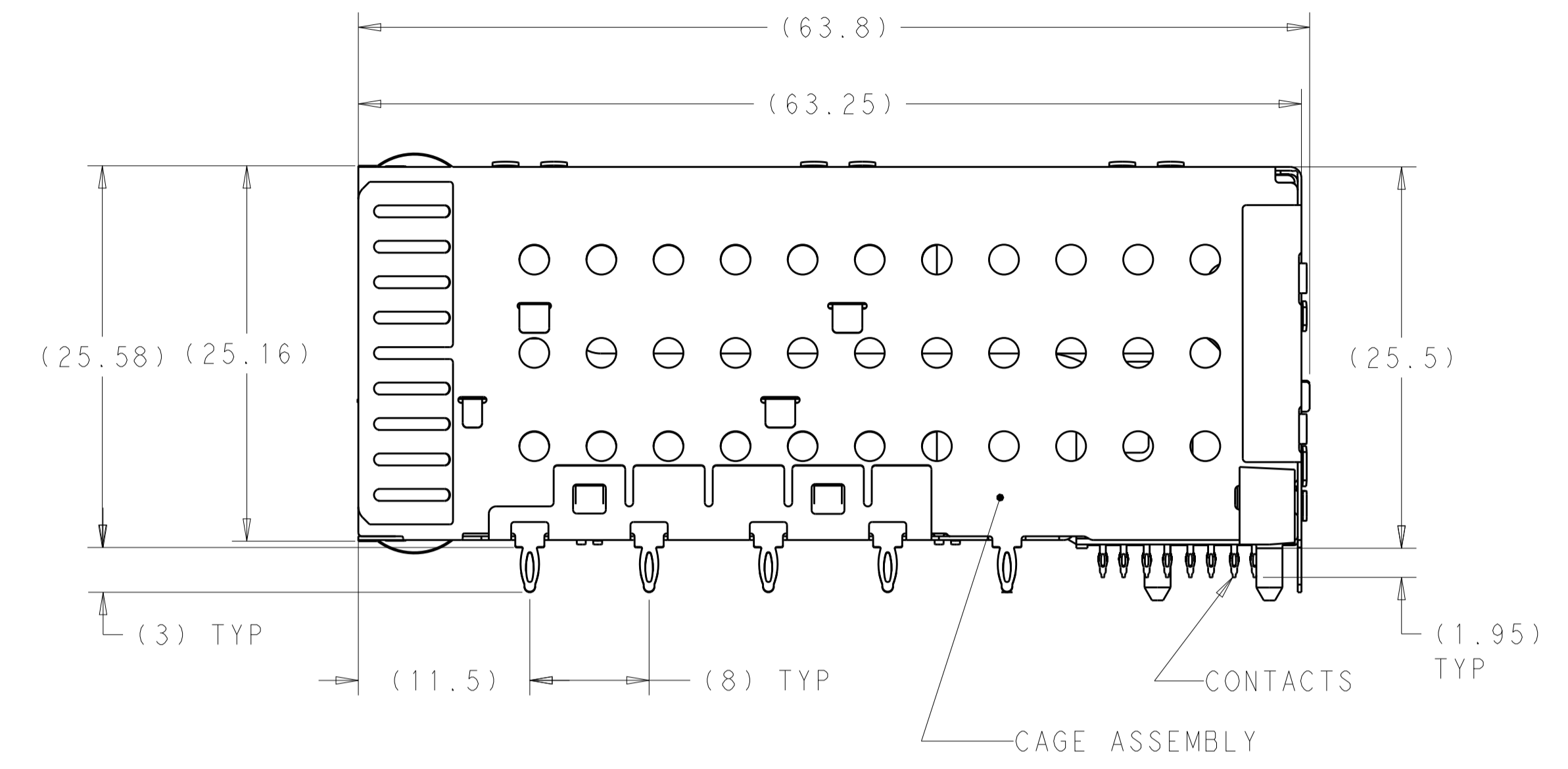
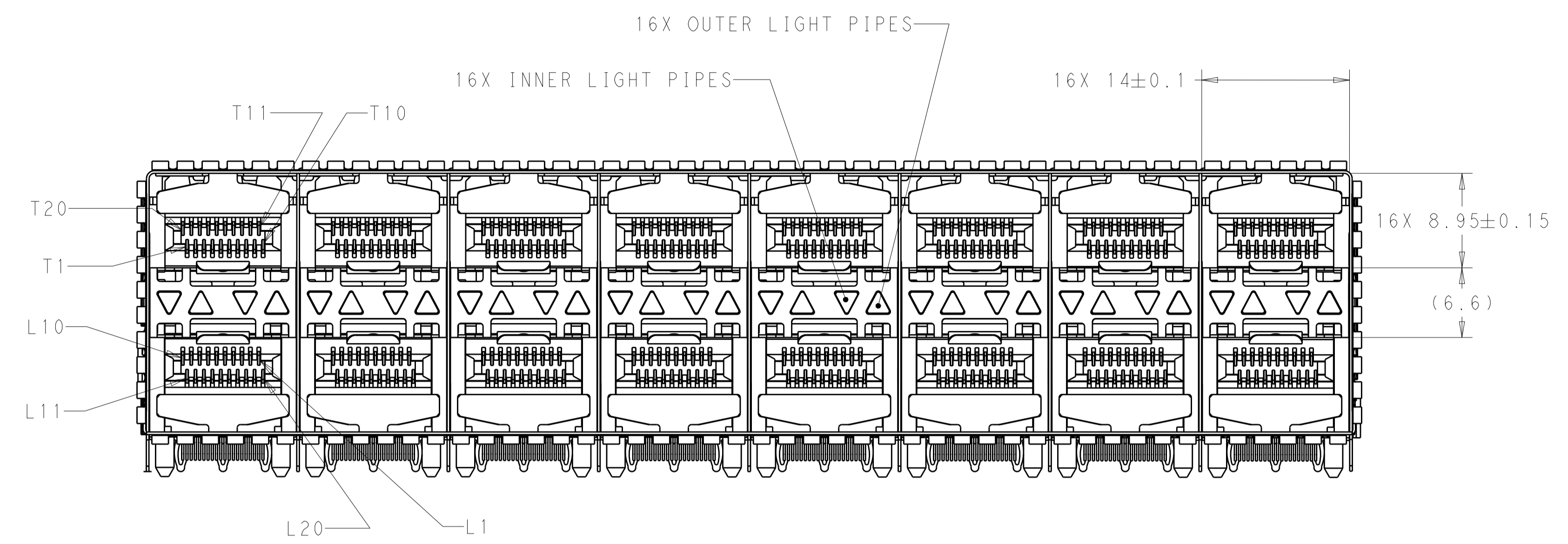


LOC		DIST		REVISIONS			
GP	00	P	LTN	DESCRIPTION	DATE	DWN	APVD
		B		REVISED PER ECO-15-017919	04APR2016	AP	RP
		B1		ADD PN 2149490-9	17JUN2020	IT	SH



- ⚠ MATERIALS:
 CAGE ASSEMBLY- NICKEL SILVER ALLOY PER ASTM B 122.
 EMI SPRINGS- COPPER ALLOY.
 HOUSING- BLACK LCP, UL 94V-0 RATED.
 CHICKLET- BLACK LCP, UL 94V-0 RATED.
 LIGHT PIPE- POLYCARBONATE, CLEAR.
 CONTACT- COPPER ALLOY.
- ⚠ DATUM AND BASIC DIMENSIONS ESTABLISHED BY CUSTOMER.
- 3. MINIMUM PCB THICKNESS OF 1.5.
- ⚠ CONTACT FINISH- CONFORMS TO THE REQUIREMENTS OF TYCO ELECTRONICS PRODUCT SPECIFICATION 108-2331, BASED ON EIA/ECA-364-1000.01A, (CONTROLLED ENVIRONMENT APPLICATIONS) ON MATING INTERFACE, TIN-LEAD ON NEEDLE EYE.
- ⚠ CONTACT FINISH- CONFORMS TO THE REQUIREMENTS OF TYCO ELECTRONICS PRODUCT SPECIFICATION 108-2331, BASED ON EIA/ECA-364-1000.01A, (CONTROLLED ENVIRONMENT APPLICATIONS) ON MATING INTERFACE, TIN ON NEEDLE EYE.
- ⚠ FOR HOLE SIZE AND PLATINGS, SEE APPLICATION SPEC 114-13219.
- ⚠ THE ENTIRE AREA OF THE CONNECTOR FOOTPRINT, INDICATED BY THE DASHE LINE, TO BE CONSIDERED THE KEEPCUT AREA FOR COMPONENTS AND SIGNAL TRACES, TOP SIDE ONLY. TOP SIDE TRACES ALLOWED WITHIN CONNECTOR HOLE PATTERN.
- ⚠ LIGHT PIPE PAD LAYOUT IS FOR 0805 LOW PROFILE LED PACKAGE WITH A HEIGHT OF 0.8mm.
- ⚠ EMI SPRING FINISH: 0.8µm MINIMUM MATTE TIN OVER 0.8µm MINIMUM NICKEL, NONPLATED EDGES PERMISSIBLE.
- ⚠ ADDITIONAL COMPONENT LOCATED WITHIN LATCH PLATE FOR EMI SUPPRESSION.
- ⚠ EMI SPRING WELDING REINFORCED WITH MORE WELDING DOTS.

YES	NO	SUPERSEDED	ENHANCED EMI	FINISH	DESCRIPTION	PART NUMBER
⚠	⚠	⚠	⚠	⚠	NO LIGHT PIPES	1-2149490-8
					OUTER 2 LIGHT PIPES	1-2149490-7
					INNER 2 LIGHT PIPES	1-2149490-6
					4 LIGHT PIPES	1-2149490-5
⚠	⚠	⚠	⚠	⚠	INNER 2 LIGHT PIPES	2149490-9 ⚠
					NO LIGHT PIPES	2149490-8
					OUTER 2 LIGHT PIPES	2149490-7
					INNER 2 LIGHT PIPES	2149490-6
⚠	⚠	⚠	⚠	⚠	4 LIGHT PIPES	2149490-5
					NO LIGHT PIPES	2149490-4
					OUTER 2 LIGHT PIPES	2149490-3
					INNER 2 LIGHT PIPES	2149490-2
⚠	⚠	⚠	⚠	⚠	4 LIGHT PIPES	2149490-1

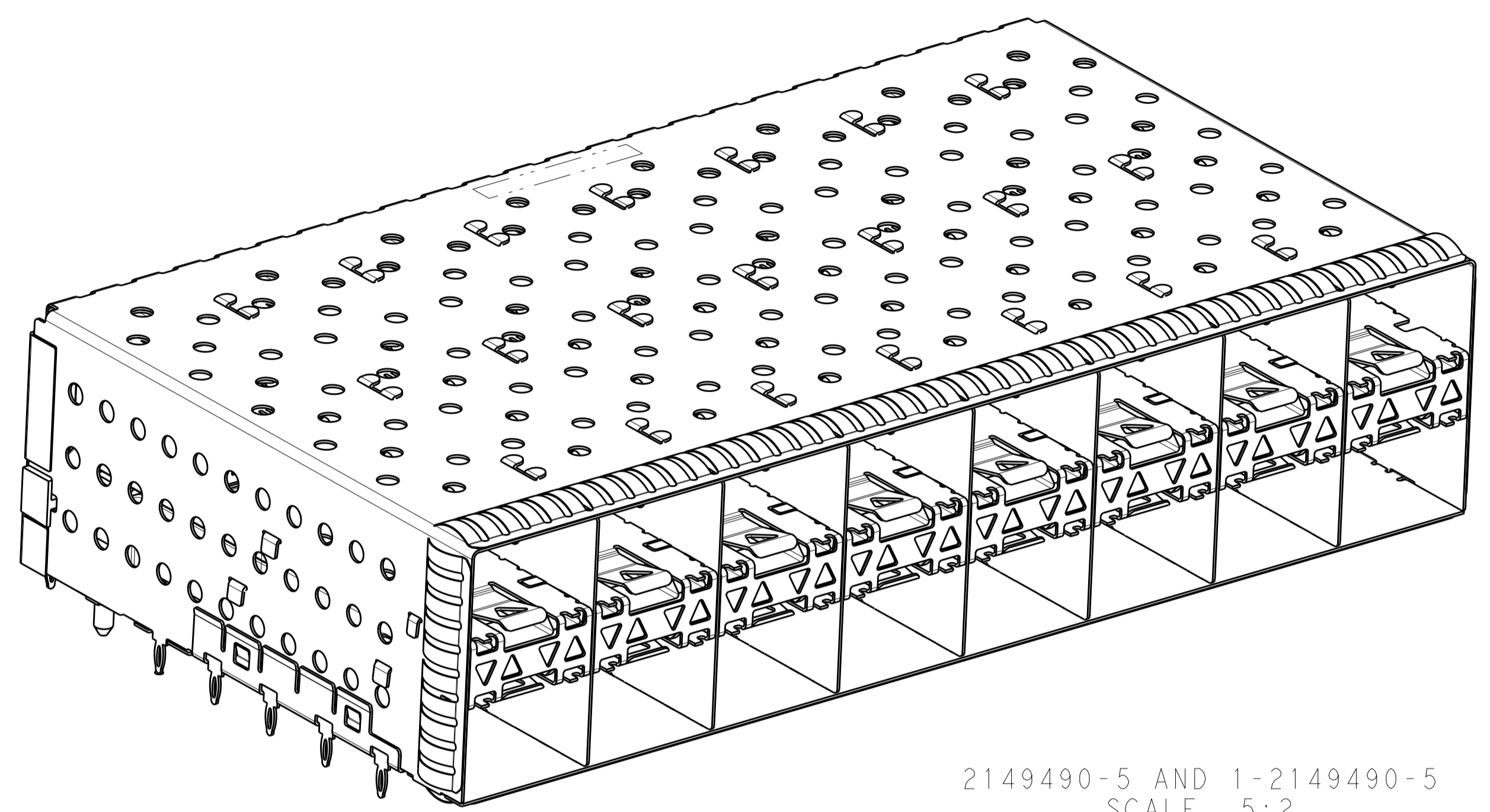
THIS DRAWING IS A CONTROLLED DOCUMENT. DIMENSIONING AND TOLERANCING PER ASME Y14.5M-2009.

STE TE Connectivity

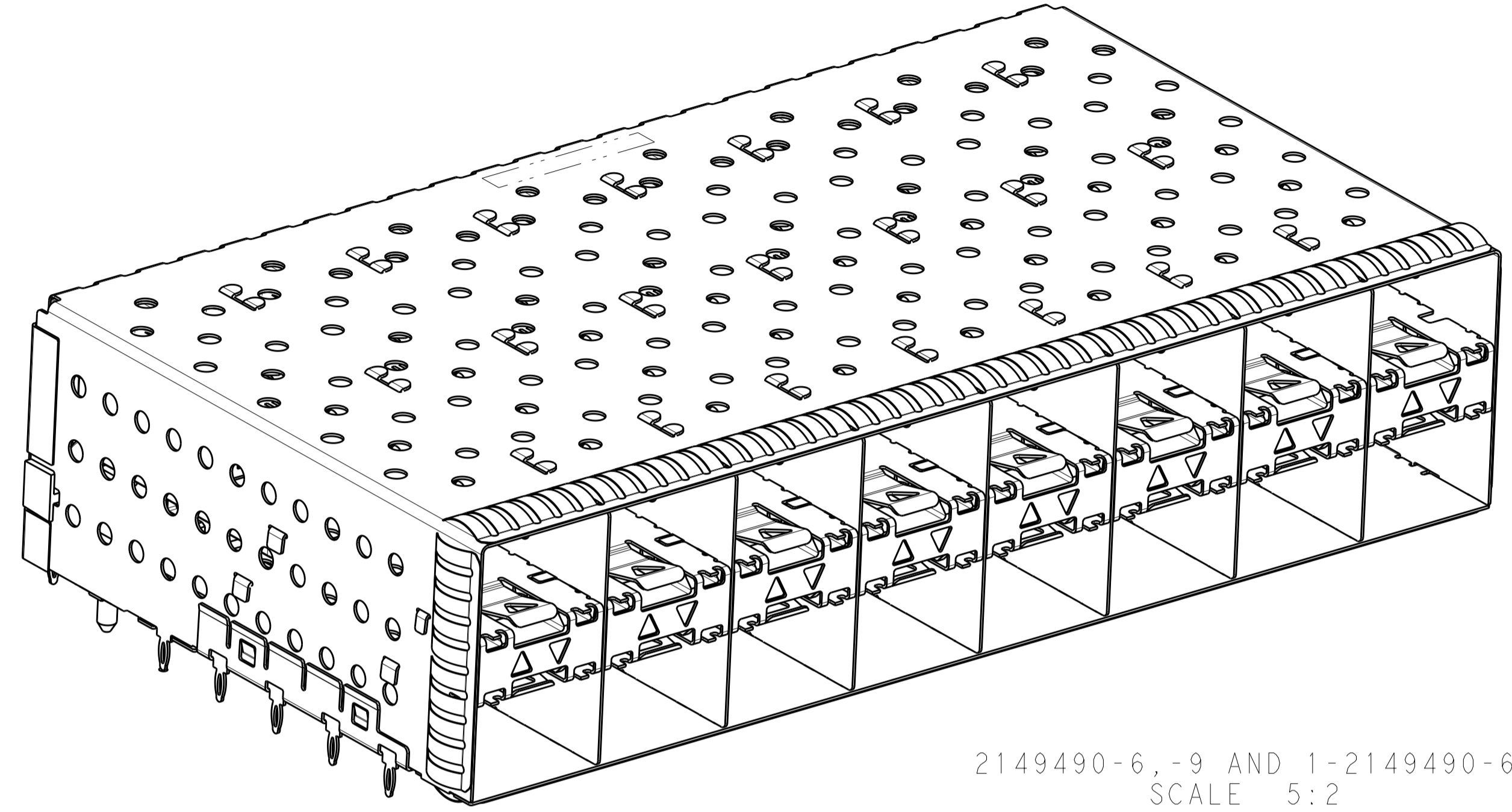
CAGE AND PT CONNECTOR ASSEMBLY, WITH EMI SPRINGS, PRESS FIT, 2X8, STACKED SFP+

SCALE 3:1 SHEET 1 OF 4 REV B1

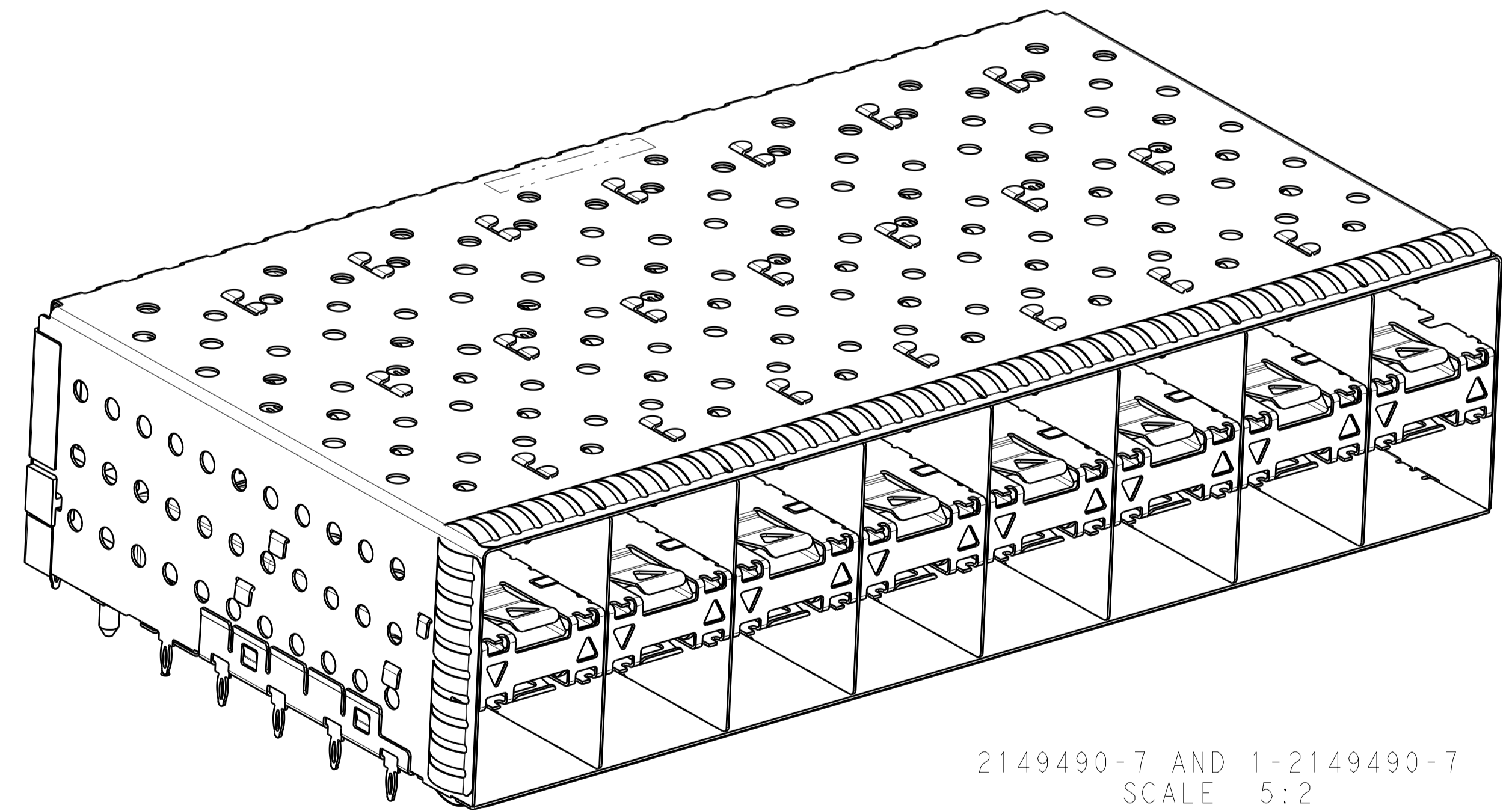
LOC		DIST		REVISIONS			
P	LTN	DESCRIPTION	DATE	DMN	APVD		



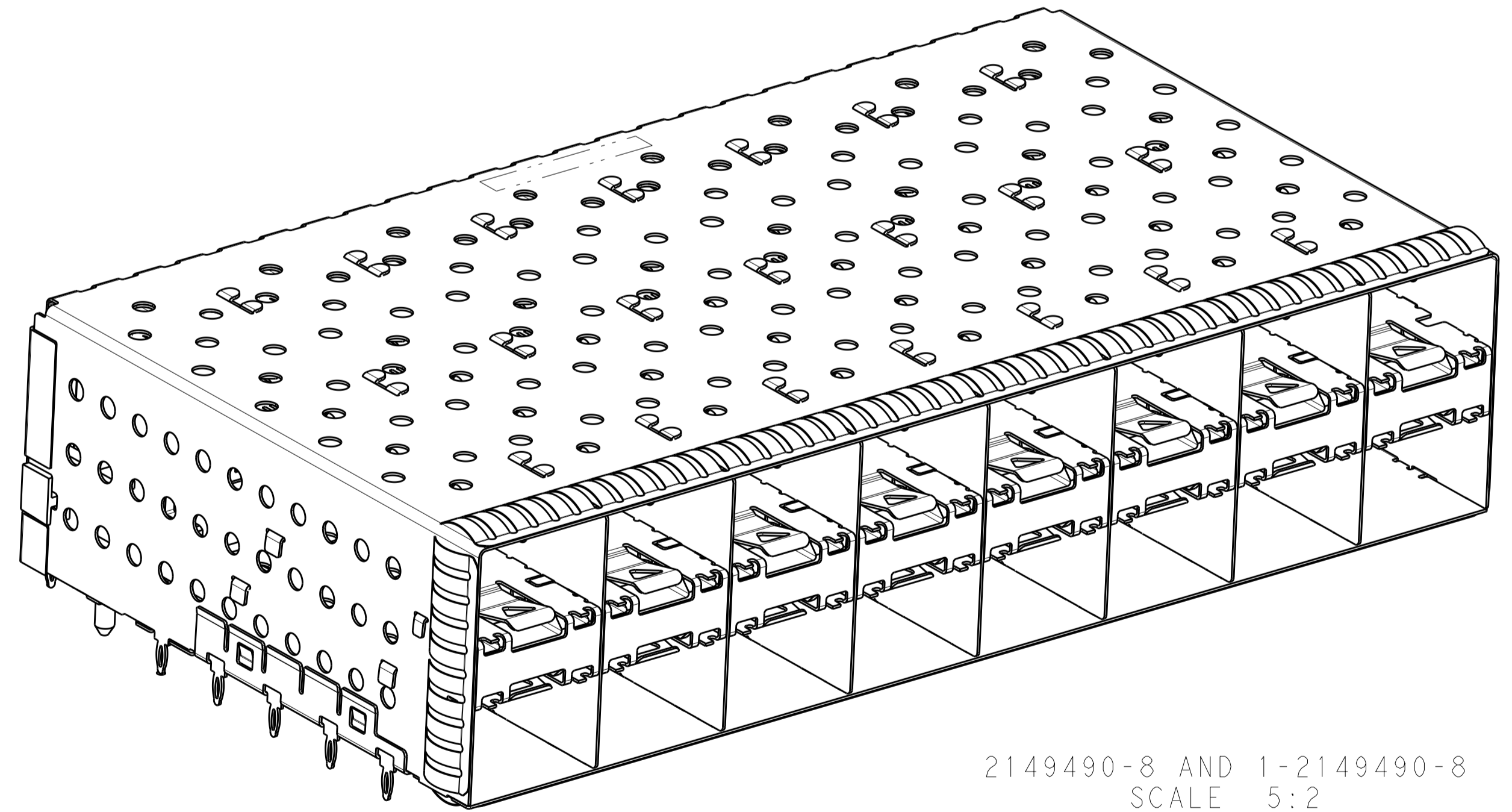
2149490-5 AND 1-2149490-5
SCALE 5:2



2149490-6, -9 AND 1-2149490-6
SCALE 5:2

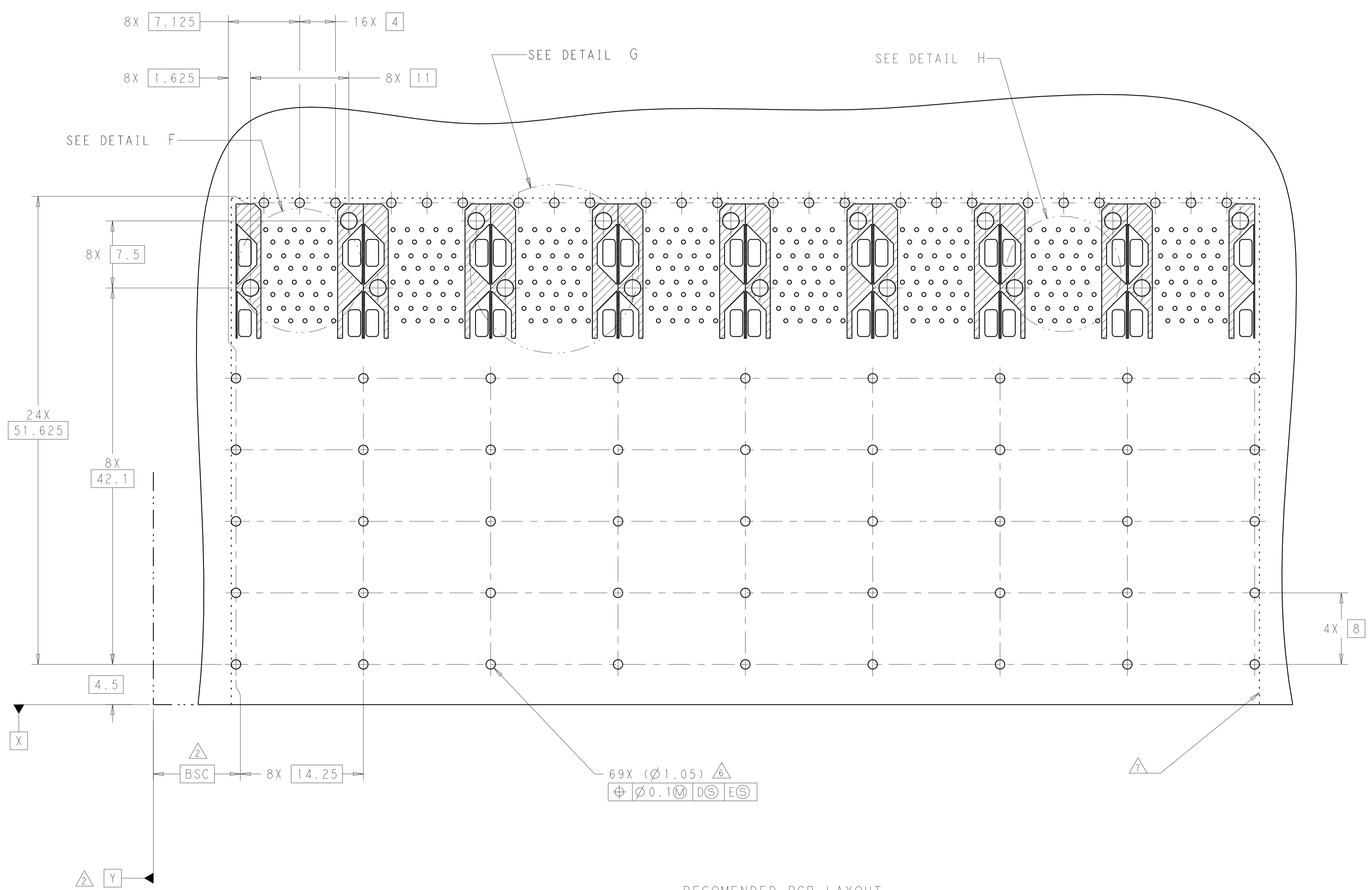


2149490-7 AND 1-2149490-7
SCALE 5:2

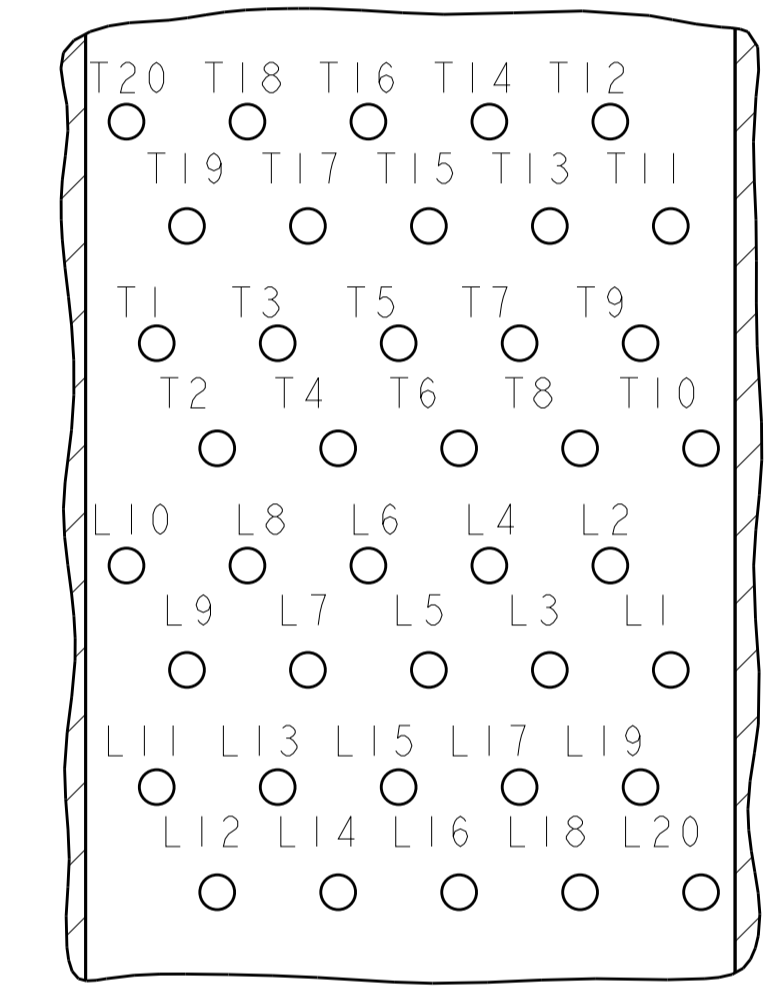


2149490-8 AND 1-2149490-8
SCALE 5:2

THIS DRAWING IS A CONTROLLED DOCUMENT. DIMENSIONING AND TOLERANCING PER ASME Y14.5M-2009.		DMN C. VALENTINE 08OCT2010	TE Connectivity
DIMENSIONS: mm		CHK J. PETERSON 08OCT2010	
TOLERANCES UNLESS OTHERWISE SPECIFIED:		APVD J. PETERSON 08OCT2010	NAME CAGE AND PT CONNECTOR ASSEMBLY, WITH EMI SPRINGS, PRESS FIT, 2X8, STACKED SFP+
0 PLC ±.10		PRODUCT SPEC 108-2331	
1 PLC ±0.10		APPLICATION SPEC 114-13219	SIZE CAGE CODE DRAWING NO. RESTRICTED TO A100779C=2149490
2 PLC ±0.10		WEIGHT	
3 PLC ±0.10		CUSTOMER DRAWING	SCALE 3:1 SHEET 2 OF 4 REV B1
4 PLC ±0.10			
ANGLES ±.10			
FINISH			



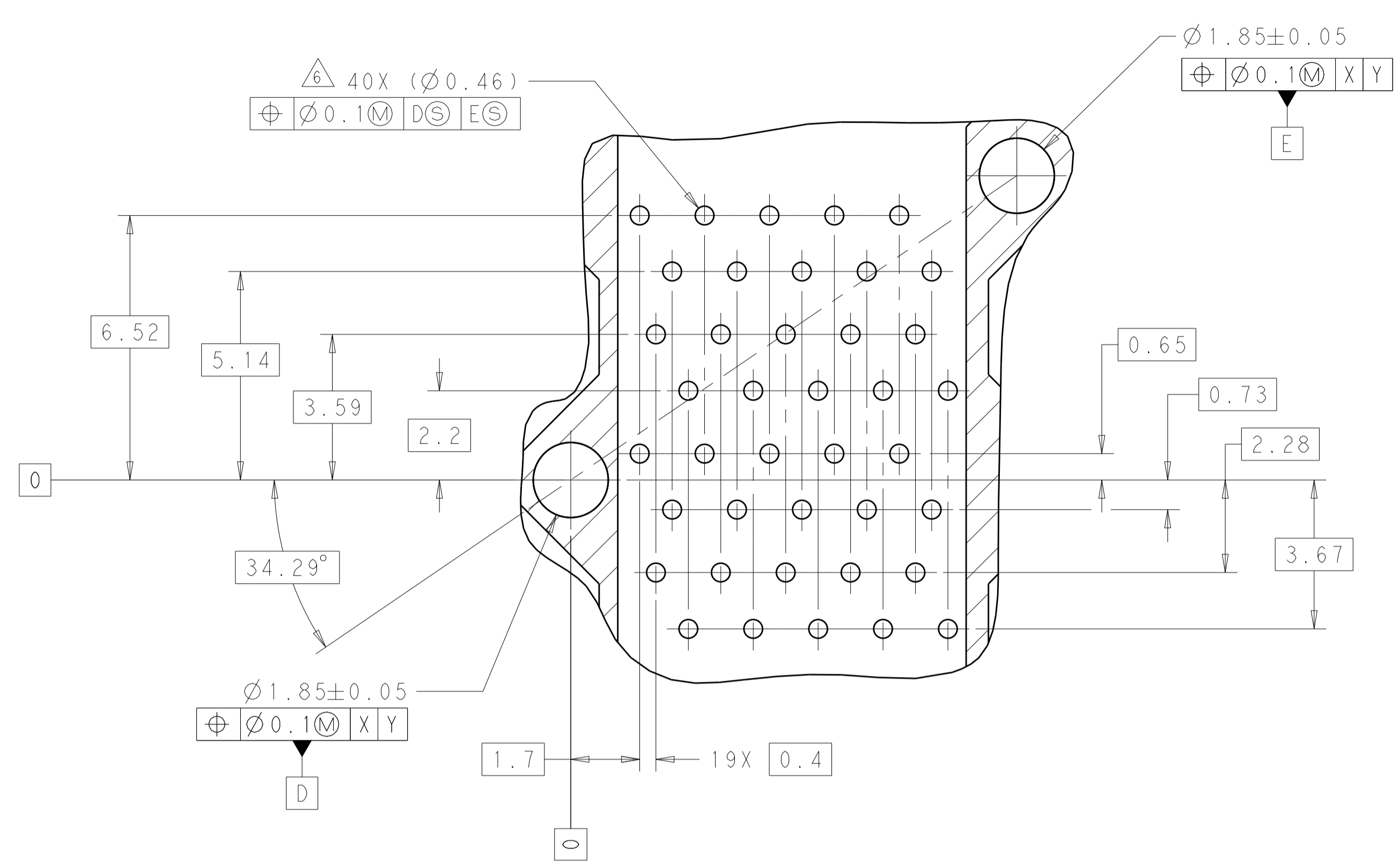
RECOMENDED PCB LAYOUT
COMPONENT SIDE OF THE BOARD
SCALE 4:1



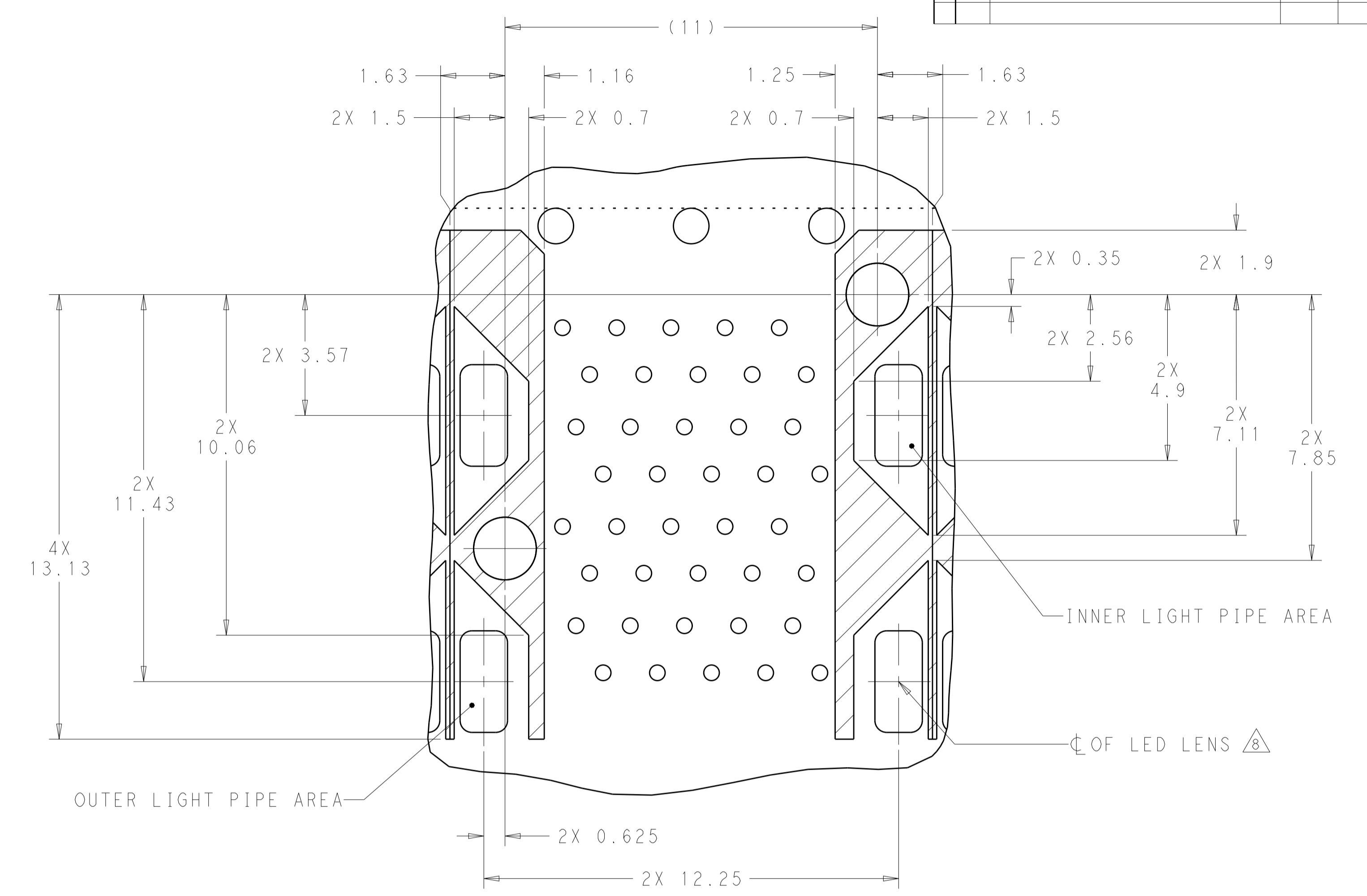
DETAIL H
CONNECTOR PIN-OUT
COMPONENT SIDE OF BOARD
8X INDIVIDUALLY
SCALE 10:1

THIS DRAWING IS A CONTROLLED DOCUMENT. DIMENSIONING AND TOLERANCING PER ASME Y14.5M-2009.		DWN C. VALENTINE 08OCT2010	TE Connectivity
DIMENSIONS: mm		CHK J. PETERSON 08OCT2010	
TOLERANCES UNLESS OTHERWISE SPECIFIED:		APVD J. PETERSON 08OCT2010	NAME CAGE AND PT CONNECTOR ASSEMBLY, WITH EMI SPRINGS, PRESS FIT, 2X8, STACKED SFP+
0 PLC ±.10 1 PLC ±0.10 2 PLC ±0.10 3 PLC ±0.10 4 PLC ±0.10 ANGLES ±.10 FINISH		PRODUCT SPEC 108-2331 APPLICATION SPEC 114-13219 WEIGHT CUSTOMER DRAWING	
MATERIAL		SIZE A100779C=2149490	RESTRICTED TO SCALE 3:1 SHEET 3 OF 4 REV B1

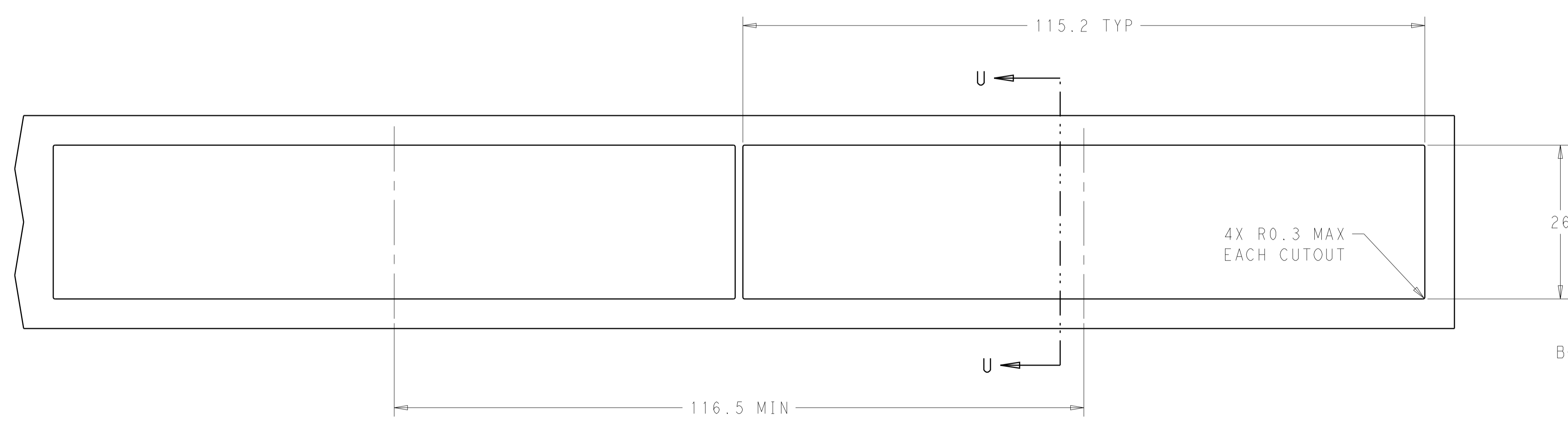
LOC	DIST	REVISIONS	DATE	OWN	APVD
		SEE SHEET 1			



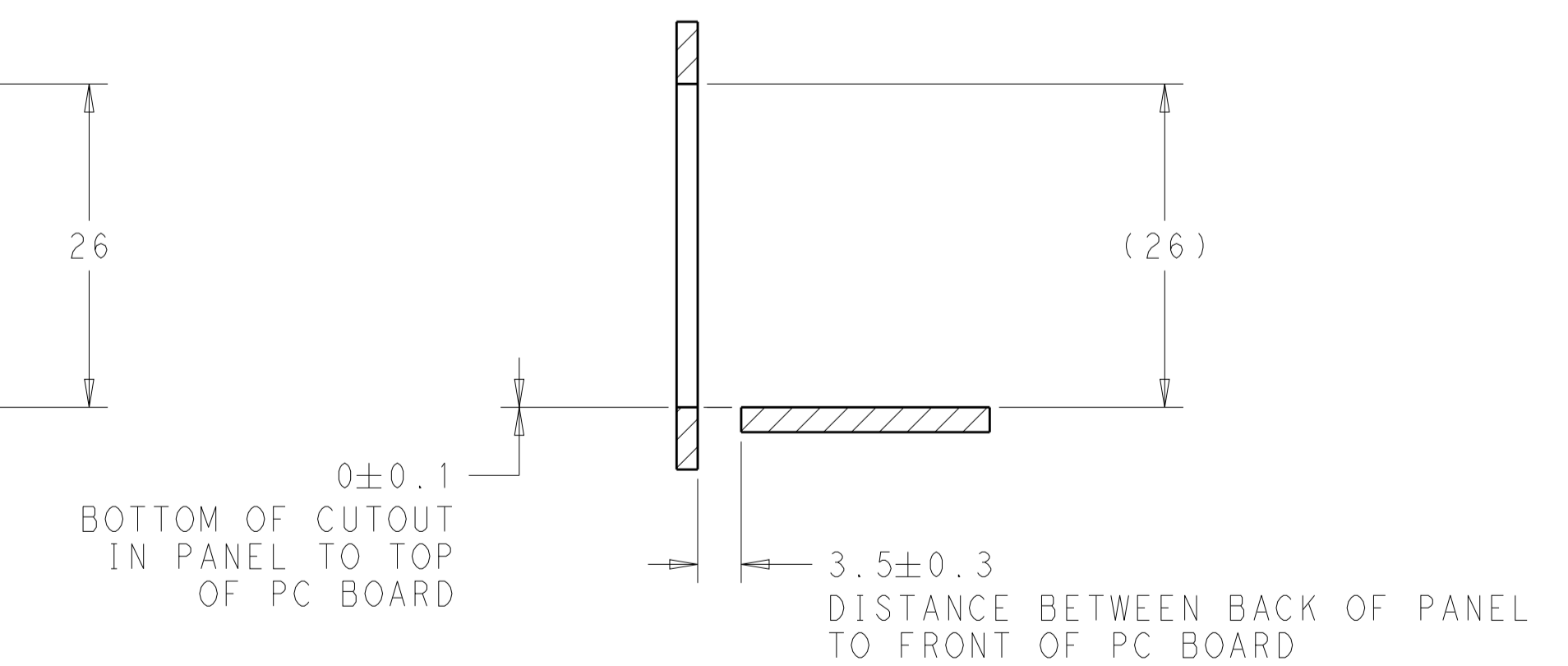
DETAIL F
8X INDIVIDUALLY
SCALE 10:1



DETAIL G
CONNECTOR HOUSING
KEEPOUT ZONE
8X INDIVIDUALLY
SCALE 10:1



RECOMMENDED PANEL CUTOUT
AND PC BOARD, PANEL LAYOUT
SCALE 2:1



SECTION U-U
SCALE 2:1

THIS DRAWING IS A CONTROLLED DOCUMENT. DIMENSIONING AND TOLERANCING PER ASME Y14.5M-2009.		OWN: C. VALENTINE CHK: J. PETERSON APVD: J. PETERSON	08OCT2010 08OCT2010 08OCT2010	TE Connectivity NAME: CAGE AND PT CONNECTOR ASSEMBLY, WITH EMI SPRINGS, PRESS FIT, 2X8, STACKED SFP+
DIMENSIONS: mm	TOLERANCES UNLESS OTHERWISE SPECIFIED:	PRODUCT SPEC: 108-2331	APPLICATION SPEC: 114-13219	
MATERIAL:	FINISH:	WEIGHT:	CAGE CODE: 114-13219	DRAWING NO: 2149490
CUSTOMER DRAWING		SCALE: 3:1	SHEET: 4 OF 4	REV: B1

单击下面可查看定价，库存，交付和生命周期等信息

[>>TE Connectivity\(泰科\)](#)