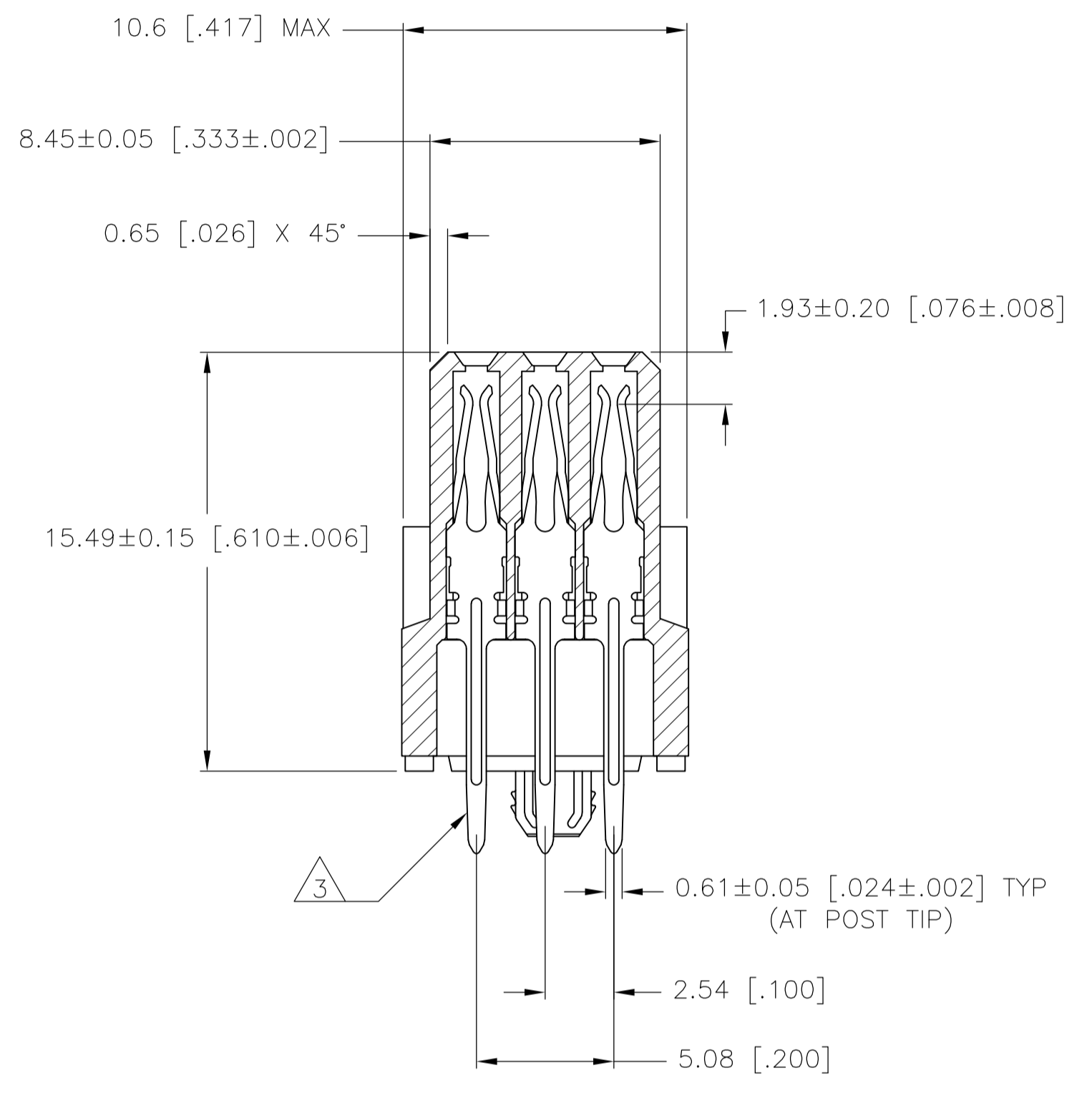


RECOMMENDED PC BOARD LAYOUT



SECTION X-X

- 1 HOUSING MATERIAL: GLASS FILLED POLYESTER, COLOR: GRAY.
- 2 CONTACT MATERIAL: PHOSPHOR BRONZE
- 3 CONTACT FINISH: 0.00076[.000030] MIN GOLD IN MATING AREA, 0.00254-0.00762[.000100-.000300] TIN-LEAD ON TAILS, ALL OVER 0.00127[.000050] MIN NICKEL.
- 4 PART NUMBER, DATE CODE MARKED ON OPPOSITE SIDE, THIS APPROX AREA.
- 5 CONTACT POINT.
- 6 PACKAGED TO POCKET TAPE.
- 7 CURRENT RATING - 2 AMPS MAXIMUM PER CONTACT.
- 8 CONTACT FINISH: 0.00076[.000030] MIN GOLD IN MATING AREA, 0.00254-0.00762[.000100-.000300] MATTE TIN ON TAILS, ALL OVER 0.00127[.000050] MIN NICKEL.

SUPERSEDED BY 5-1571437-1	27	5-1571437-1
	27	1571437-1
FINISH	NO. OF POSN	PART NUMBER

THIS DRAWING IS A CONTROLLED DOCUMENT.		DIN R BROWN 04FEB03	STE TE Connectivity	
DIMENSIONS: mm		CHK J GESFORD 04FEB03	NAME RECEPTACLE ASSEMBLY, EUROCARD, TYPE C WITH BOARD LOCKS, SPECIAL PACKAGING	
TOLERANCES UNLESS OTHERWISE SPECIFIED:		APVD J GESFORD 04FEB03	PRODUCT SPEC	
0 PLC ± -		APPLICATION SPEC		
1 PLC ± -		SIZE A1		
2 PLC ± 0.13[.005]		CAGE CODE 00779		
3 PLC ± -		DRAWING NO 1571437		
4 PLC ± -		RESTRICTED TO		
ANGLES ± -		WEIGHT		
MATERIAL 1/2		CUSTOMER DRAWING		
FINISH SEE TABLE		SCALE 5:1 SHEET 1 OF 1 REV E		

单击下面可查看定价，库存，交付和生命周期等信息

[>>TE Connectivity\(泰科\)](#)