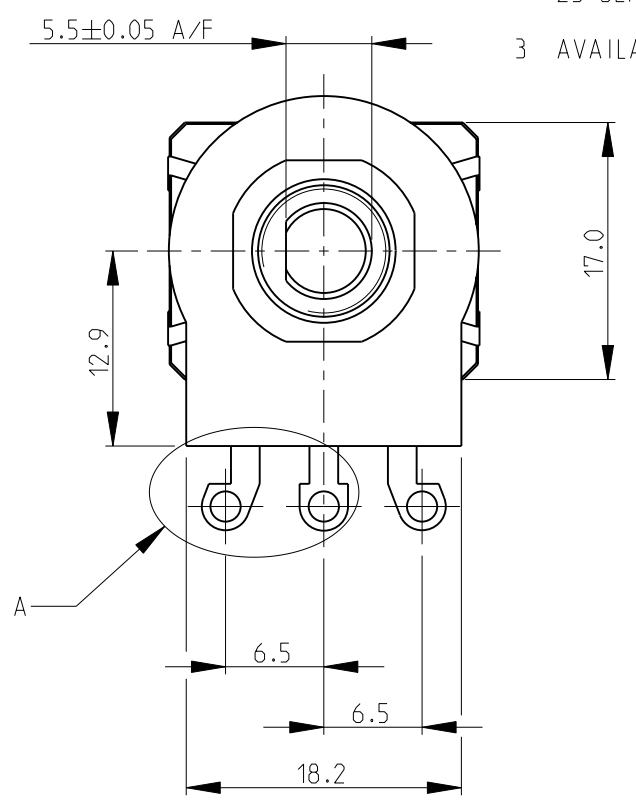
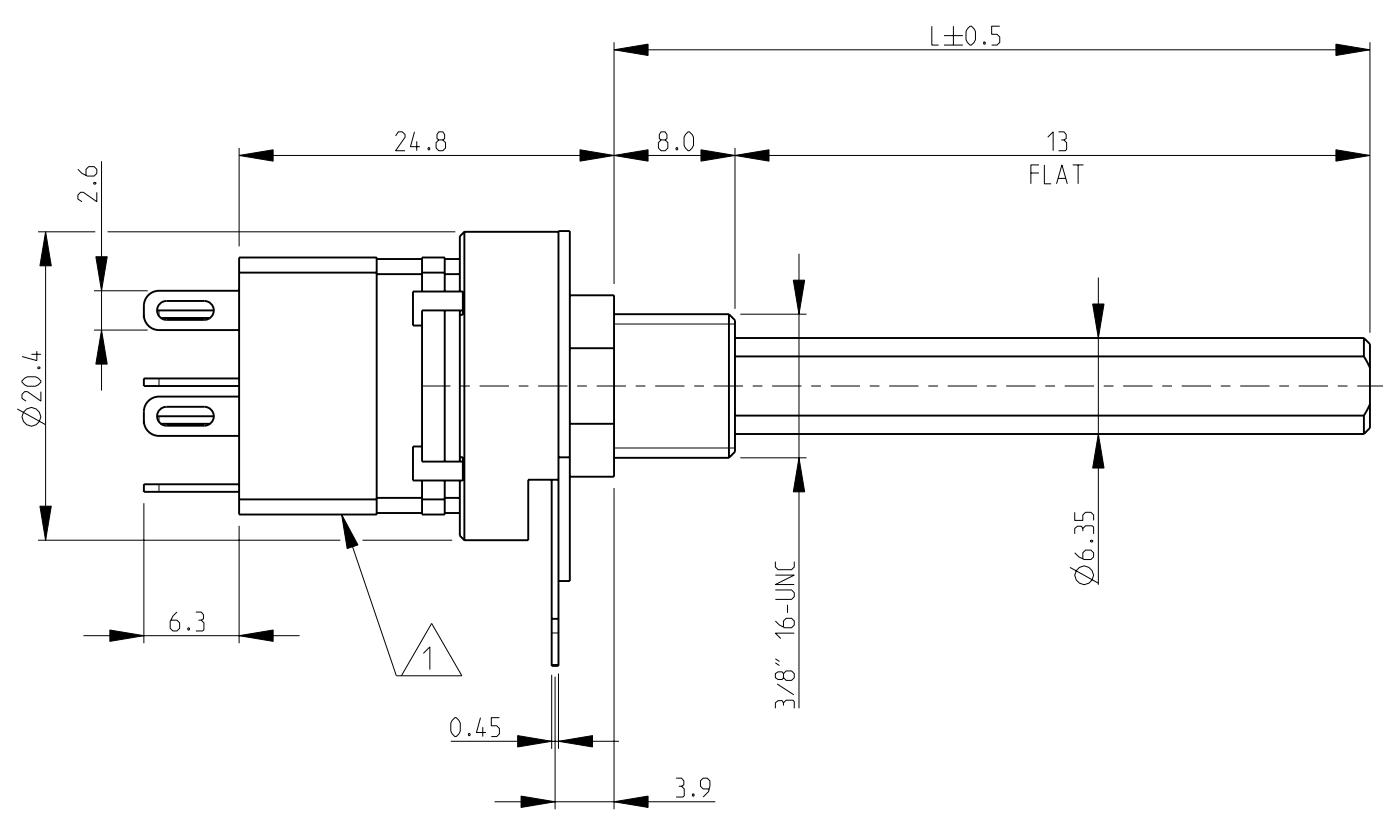
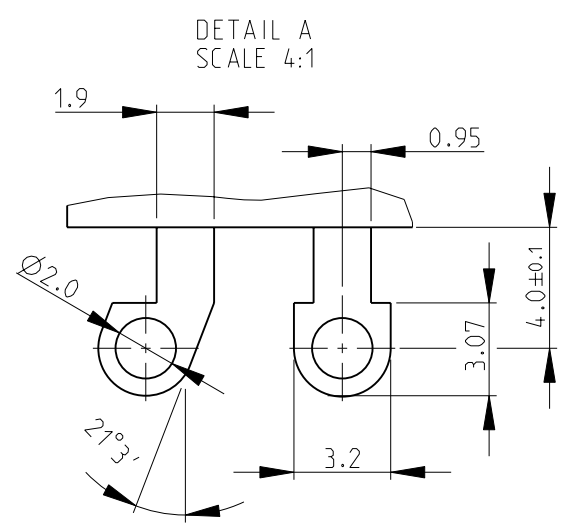


THIS DRAWING IS UNPUBLISHED. RELEASED FOR PUBLICATION 2008
 © COPYRIGHT 2008 BY TYCO ELECTRONICS CORPORATION. ALL RIGHTS RESERVED.

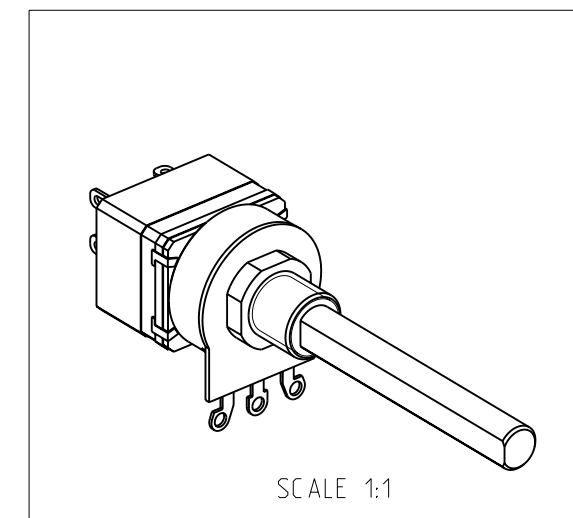
LOC		DIST		REVISIONS			
P	LTR	DESCRIPTION		DATE	DWN	APVD	
E	B	BA	NEW RELEASE	30-Jul-08	SM	St.P	



- 1 SWITCH TYPE: DPST (4A)
- 2 FOR FURTHER INFORMATION SEE DATA SHEET FOR 23 SERIES-SPINDLE OPERATED POTENTIOMETER
- 3 AVAILABLE IN DIFFERENT SHAFT LENGTHS (L) SEE DATA SHEET



RoHS Compliant



<small>THIS DRAWING IS A CONTROLLED DOCUMENT FOR TYCO ELECTRONICS CORPORATION IT IS SUBJECT TO CHANGE AND THE CONTROLLING ENGINEERING ORGANIZATION SHOULD BE CONTACTED FOR THE LATEST REVISION.</small>		DWN	SUBHASH.M	30-Jul-08	Tyco Electronics Corporation Dorcan, Swindon, SN3 5HH	
DIMENSIONS: mm		CHK	PRAKASH.S	30-Jul-08	NAME	
		APVD	STEPHEN.P	30-Jul-08	SPINDLE OPERATED POTENTIOMETER SERIES 23SE	
TOLERANCES UNLESS OTHERWISE SPECIFIED: 0 PLC ±0.2 1 PLC ±0.1 2 PLC ± 3 PLC ± 4 PLC ± ANGLES ±5°		PRODUCT SPEC	-			
MATERIAL -		APPLICATION SPEC	-			
FINISH -		WEIGHT	-			
		CUSTOMER DRAWING	SIZE	A3	CAGE CODE	00779
			DRAWING NO	1624166		RESTRICTED TO
			SCALE	2:1	SHEET	1 OF 1
			REV	BA		

单击下面可查看定价，库存，交付和生命周期等信息

[>>TE Connectivity\(泰科\)](#)