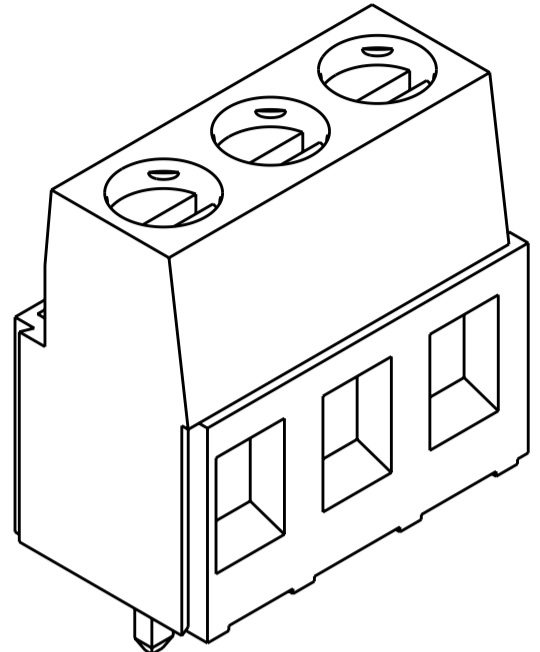
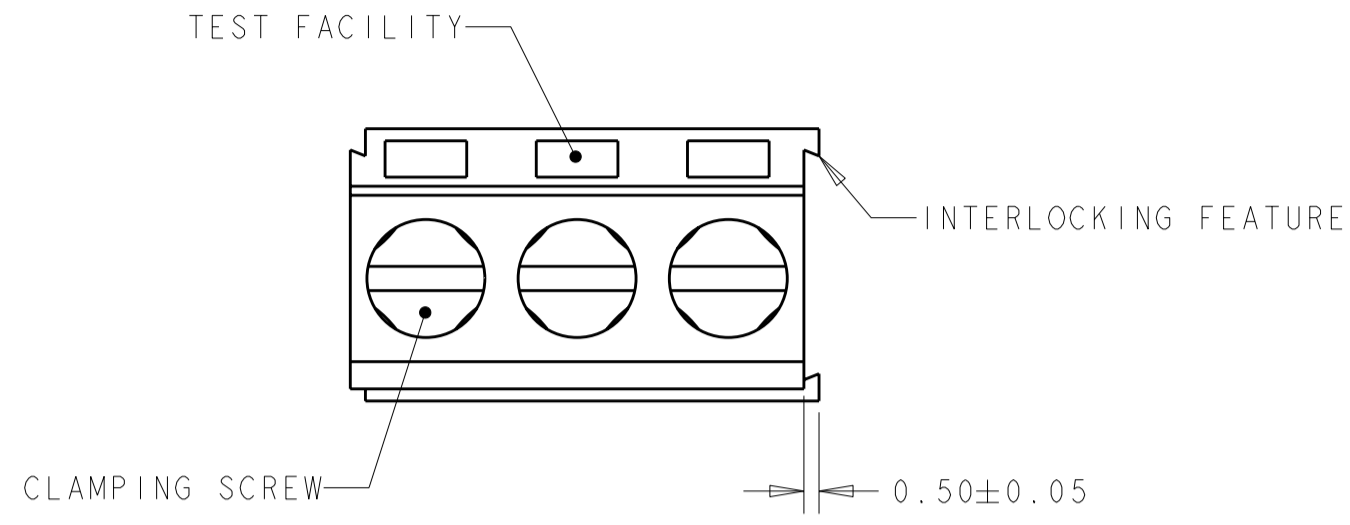
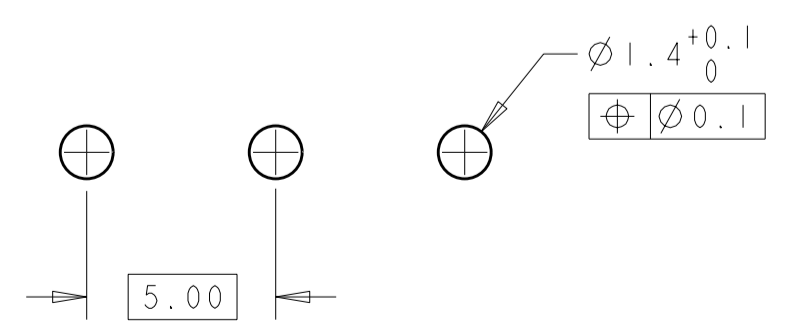
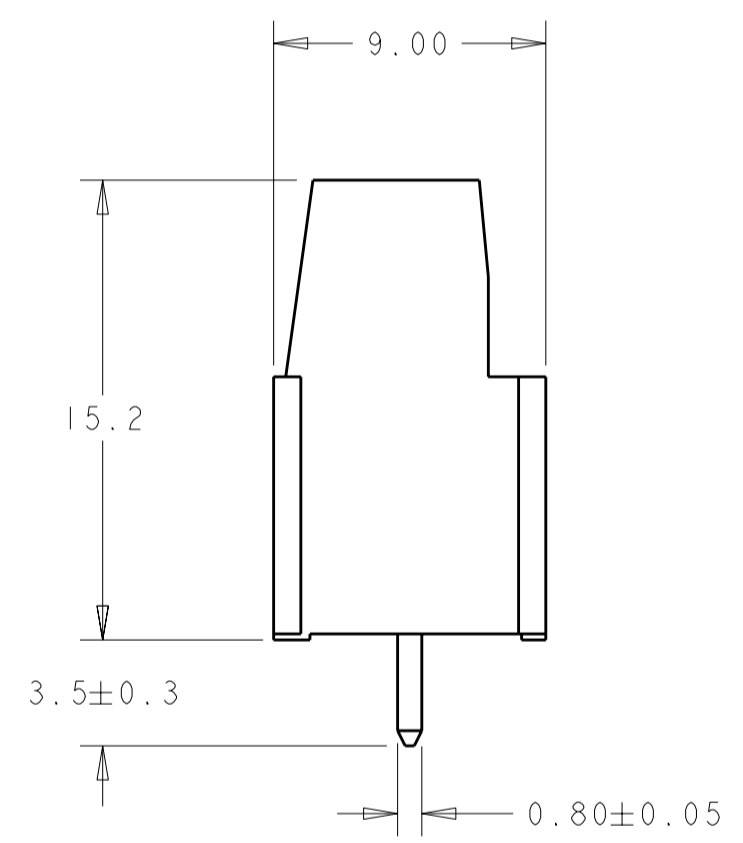
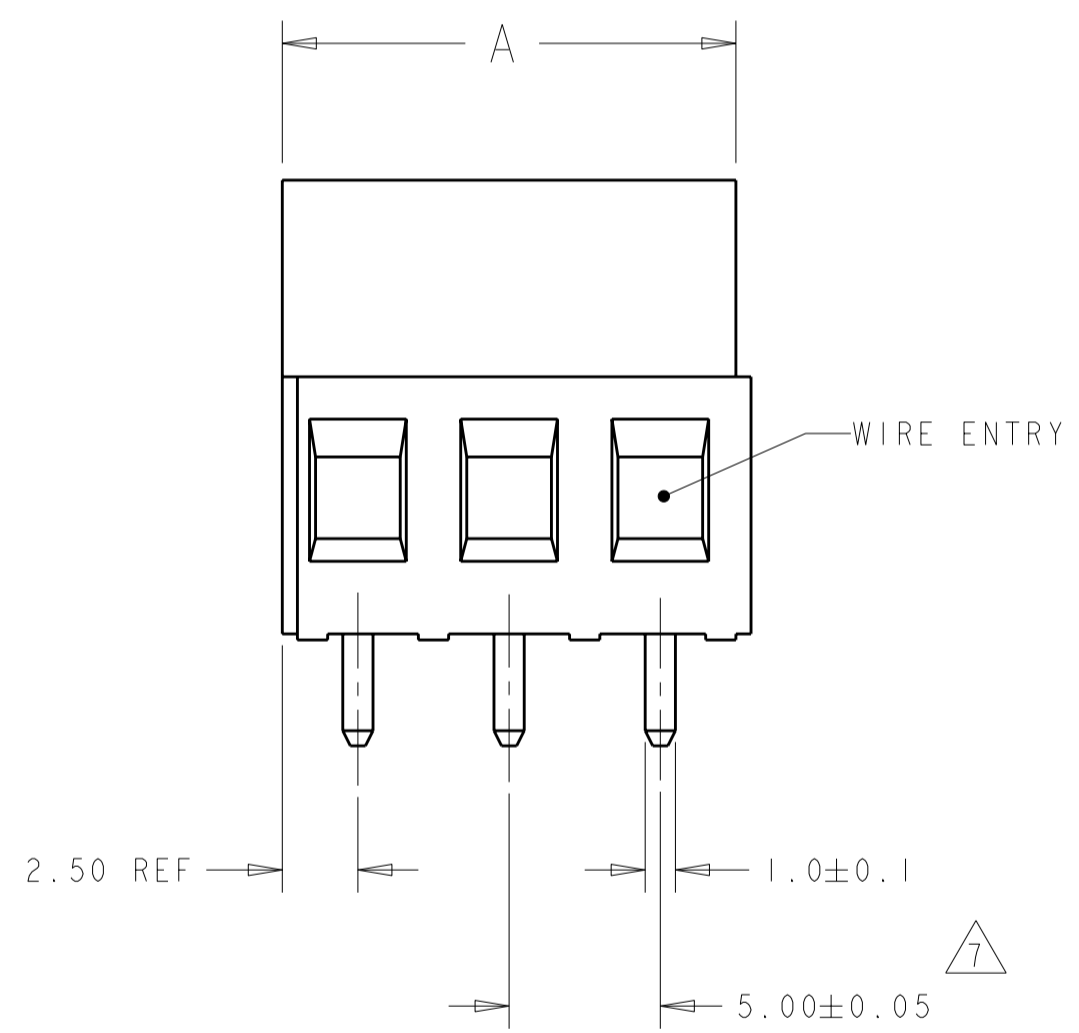


THIS DRAWING IS UNPUBLISHED. RELEASED FOR PUBLICATION 20  
 © COPYRIGHT 20 BY - ALL RIGHTS RESERVED.

LOC	DIST	REVISIONS			
P	LTR	DESCRIPTION	DATE	DWN	APVD
FT	0	C4 REVISED PER ECO-11-005027	16MAR2011	RK	HMR



796683-3 AS SHOWN



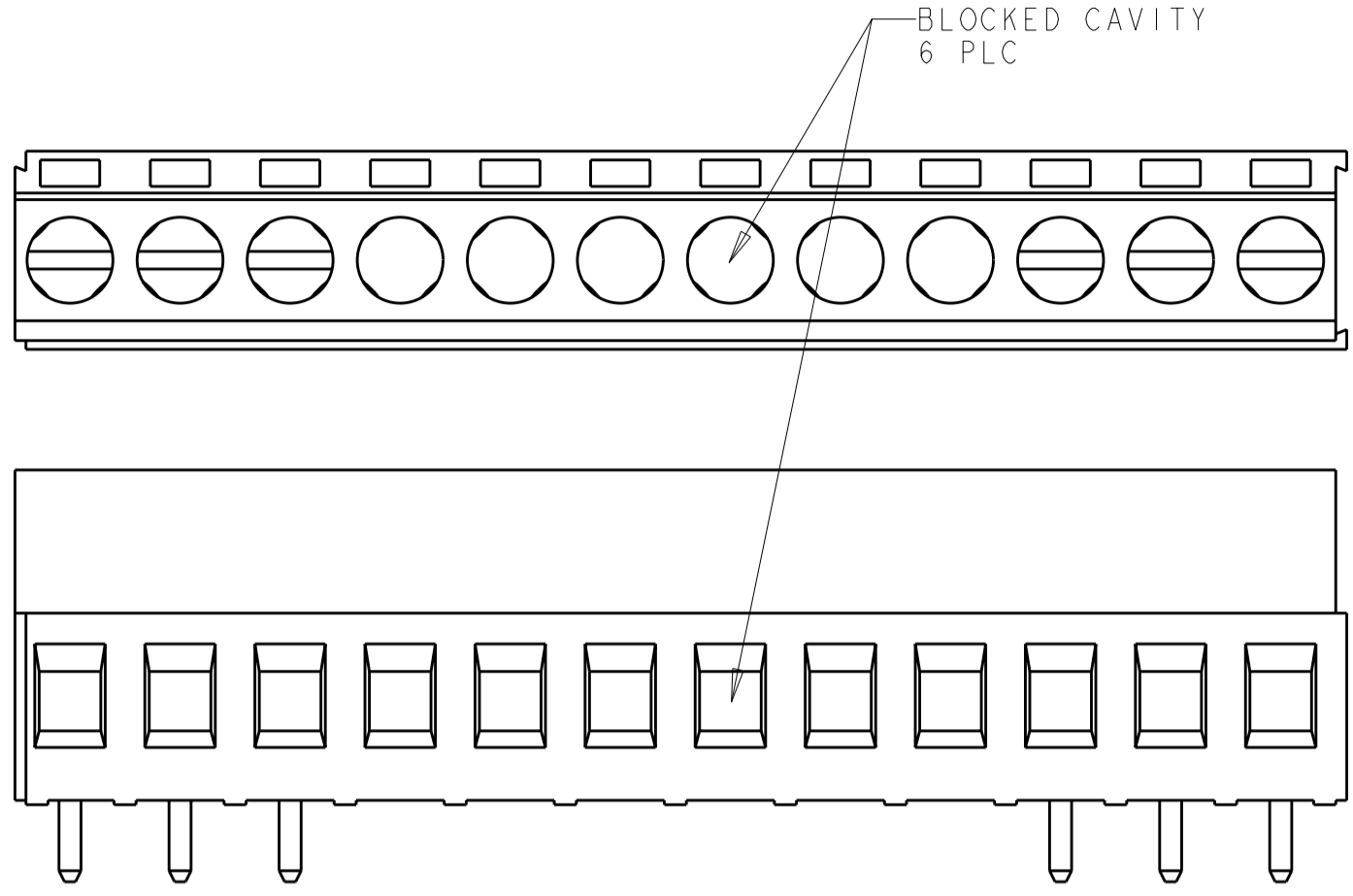
RECOMMENDED PC BOARD LAYOUT  
SCALE 5:1

1, 2, 3, 10, 12	-	SEE DETAIL M	60.00	12	3-796683-1
1, 2, 3, 10, 12	-	-	60.00	12	3-796683-0
-	-	SEE DETAIL L	25.00	5	2-796683-9
-	8	SEE DETAIL K	30.00	6	2-796683-8
-	-	SEE DETAIL J	60.00	12	2-796683-7
-	-	SEE DETAIL H	60.00	12	2-796683-6
-	-	-	125.00	25	2-796683-5
-	-	-	120.00	24	2-796683-4
-	-	-	115.00	23	2-796683-3
-	-	-	110.00	22	2-796683-2
-	-	-	105.00	21	2-796683-1
-	-	-	100.00	20	2-796683-0
-	-	-	95.00	19	1-796683-9
-	-	-	90.00	18	1-796683-8
-	-	-	85.00	17	1-796683-7
-	-	-	80.00	16	1-796683-6
-	-	-	75.00	15	1-796683-5
-	-	-	70.00	14	1-796683-4
-	-	-	65.00	13	1-796683-3
-	-	-	60.00	12	1-796683-2
-	-	-	55.00	11	1-796683-1
-	-	-	50.00	10	1-796683-0
-	-	-	45.00	9	796683-9
-	-	-	40.00	8	796683-8
-	-	-	35.00	7	796683-7
-	-	-	30.00	6	796683-6
-	-	-	25.00	5	796683-5
-	-	-	20.00	4	796683-4
-	-	-	15.00	3	796683-3
-	-	-	10.00	2	796683-2
SELECT LOAD IN CIRCUITS	MARKING	SPECIAL	A	POSN	PART NUMBER

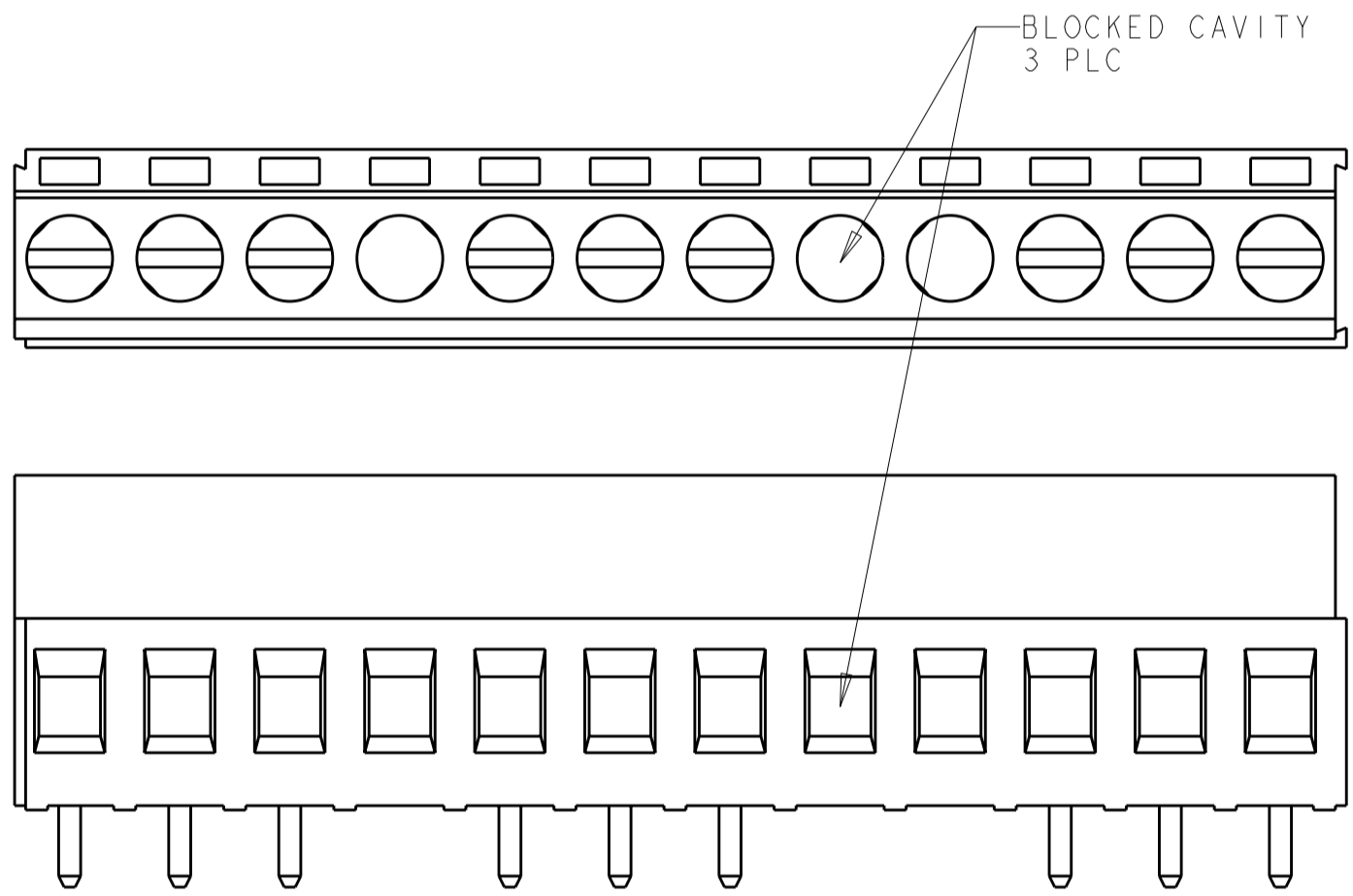
THIS DRAWING IS A CONTROLLED DOCUMENT.		DWN E. ZANOLINI 05APR2001	TE Connectivity <b>TERMINAL BLOCK</b> PCB MOUNT W/INTERLOCK, 5.00mm PITCH			
DIMENSIONS: mm		CHK D. BIEVENOUR 05APR2001				NAME
TOLERANCES UNLESS OTHERWISE SPECIFIED:		APVD D. BIEVENOUR 05APR2001				SIZE
0 PLC ±0		PRODUCT SPEC				CAGE CODE
1 PLC ±0.3		APPLICATION SPEC	DRAWING NO	RESTRICTED TO		
2 PLC ±0.25		WEIGHT	A200779			
3 PLC ±0		CUSTOMER DRAWING	C-796683			
4 PLC ±0		SCALE 2:1	SHEET 1 OF 2	REV C4		
ANGLES ±2°						
FINISH						

THIS DRAWING IS UNPUBLISHED. RELEASED FOR PUBLICATION 20  
 © COPYRIGHT 20 BY - ALL RIGHTS RESERVED.

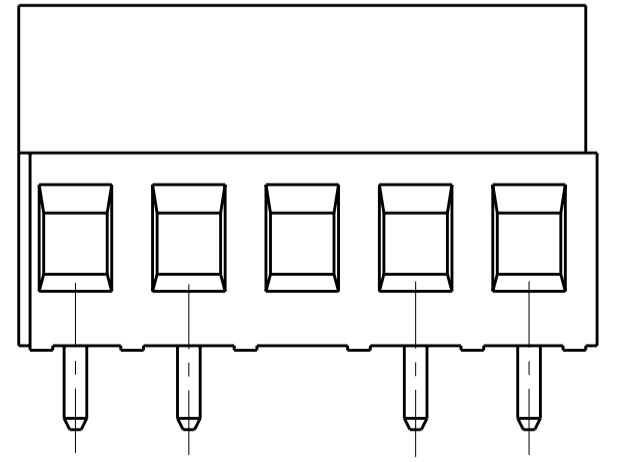
LOC	DIST	REVISIONS			
P	LTR	DESCRIPTION	DATE	DWN	APVD
FT	0	-	SEE SHEET 1	-	-



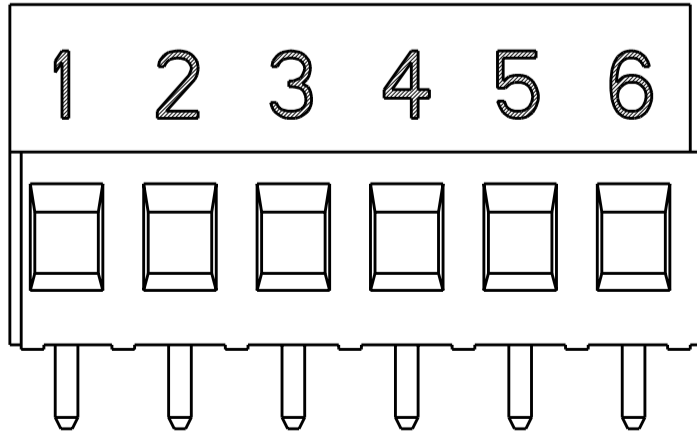
DETAIL H



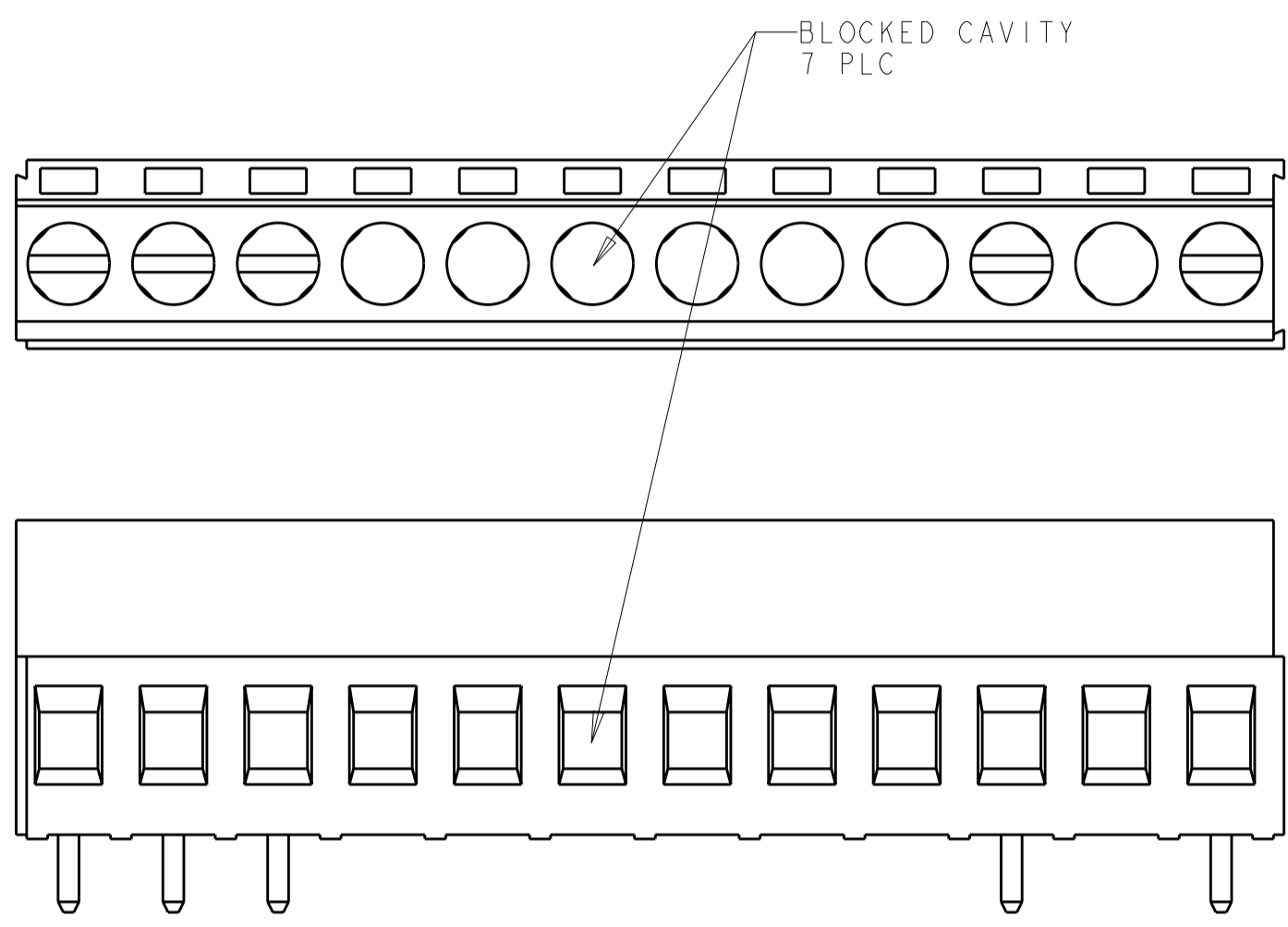
DETAIL J



DETAIL L



DETAIL K



DETAIL M

- 1 MATERIALS AND FINISH:  
 HOUSING: PA 6-6, UL 94-V0, COLOR: GREEN.  
 CLAMP: BRASS, NICKEL PLATED.  
 TERMINAL: BRASS, TIN PLATED.  
 CLAMPING SCREW: M3, BRASS, NICKEL PLATED.
- 2. SUITABLE FOR 1,6-2,4mm. PCB THICKNESS.
- 3. END-TO-END STACKABLE W/INTERLOCK WITHOUT LOSS OF CENTERLINE SPACING.
- 4. WIRE SIZE RANGE: 12-30 AWG.
- 5. RECOGNIZED UNDER THE COMPONENT PROGRAM OF UNDERWRITERS LABORATORIES INC. FILE No E60677.
- 6. IMQ CERTIFICATE WITH SURVEILLANCE IN CONFORMITY WITH IEC 998-1/998-2-1.
- 7 NOT CUMULATIVE TOLERANCE.
- 8 INK MARKED WHITE. NUMERICAL SEQUENCE FROM LEFT TO RIGHT.
- 9. BUCHANAN LOGO TO APPEAR ON HOUSING, LOCATION OPTIONAL WHERE SPACE PERMITS.

THIS DRAWING IS A CONTROLLED DOCUMENT.		DWN E. ZANOLINI 05APR2001	TE Connectivity															
DIMENSIONS: mm		CHK D. BIEVENOUR 05APR2001																
TOLERANCES UNLESS OTHERWISE SPECIFIED:		APVD D. BIEVENOUR 05APR2001	NAME TERMINAL BLOCK PCB MOUNT W/INTERLOCK, 5.00mm PITCH															
<table border="0"> <tr> <td>0 PLC</td> <td>±0</td> </tr> <tr> <td>1 PLC</td> <td>±0.3</td> </tr> <tr> <td>2 PLC</td> <td>±0.25</td> </tr> <tr> <td>3 PLC</td> <td>±0</td> </tr> <tr> <td>4 PLC</td> <td>±0</td> </tr> <tr> <td>ANGLES</td> <td>±2°</td> </tr> <tr> <td>FINISH</td> <td></td> </tr> </table>		0 PLC	±0	1 PLC	±0.3	2 PLC	±0.25	3 PLC	±0	4 PLC	±0	ANGLES	±2°	FINISH		PRODUCT SPEC -	SIZE A2	CAGE CODE 00779
0 PLC	±0																	
1 PLC	±0.3																	
2 PLC	±0.25																	
3 PLC	±0																	
4 PLC	±0																	
ANGLES	±2°																	
FINISH																		
MATERIAL -		APPLICATION SPEC -	DRAWING NO 796683	RESTRICTED TO -														
		WEIGHT -	SCALE 3:1 SHEET 2 OF 2 REV C4															
		CUSTOMER DRAWING																

单击下面可查看定价，库存，交付和生命周期等信息

[>>TE Connectivity\(泰科\)](#)