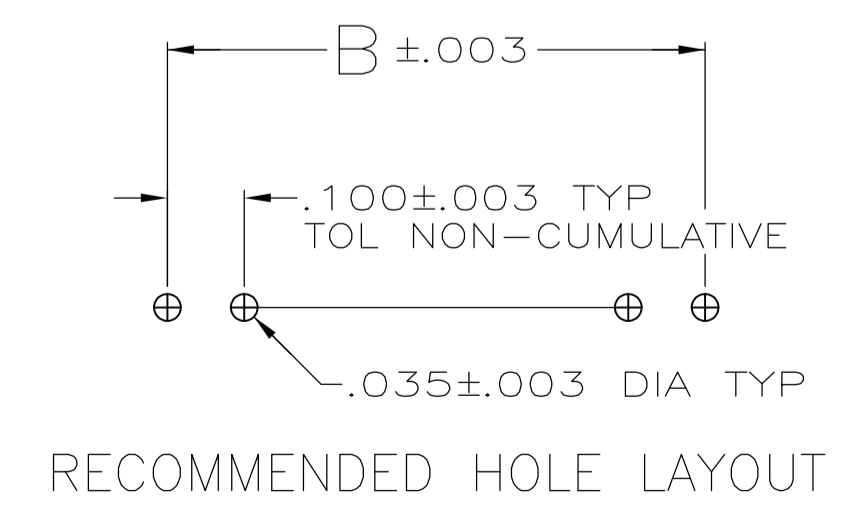


- 1 TRUE POSITION TOLERANCE OF THE POST TIPS APPLIES WHEN THE HEADERS ARE HELD FLAT AGAINST THE PRINTED CIRCUIT BOARD
- 2 ASSEMBLY MAY BE BROKEN TO THE DESIRED NUMBER OF POSITIONS
- 3 PACKAGE IN SINGLE TUBES
- 4 .000100-.000200 MATTE TIN-LEAD OVER .000050 NICKEL.
- 5 .000100-.000200 BRIGHT TIN OVER .000050 NICKEL.
- 6 PRELIMINARY PART - NOT RELEASED FOR PRODUCTION.
- 7 HOUSING MATERIAL: FLAME RETARDANT THERMOPLASTIC; COLOR-BLACK.
- 8 OBSOLETE PARTS: OBSOLETE CIS STREAMLINING PER D.RENAUD/D.SINISI



| PLATING | REMARKS | C | B | A | NO OF POSN | PART NUMBER |
|---------|--------------------------|---|-------|-------|------------|-------------|
| | OBSOLETE | 5 | .484 | .400 | 4 | 5-103321-3 |
| | | 5 | 1.384 | 1.300 | 13 | 5-103321-2 |
| | | 5 | 1.184 | 1.100 | 11 | 5-103321-1 |
| | | 5 | 1.084 | 1.000 | 10 | 5-103321-0 |
| | | 5 | .884 | .800 | 8 | 4-103321-9 |
| | | 5 | 3.984 | 3.900 | 39 | 4-103321-8 |
| | | 5 | 1.584 | 1.500 | 15 | 4-103321-7 |
| | | 5 | .784 | .700 | 7 | 4-103321-6 |
| | | 5 | .284 | .200 | 2 | 4-103321-5 |
| | | 5 | .184 | .100 | 1 | 4-103321-4 |
| | | 5 | .084 | - | 1 | 4-103321-3 |
| | SUPERSEDED BY 1-103321-4 | 3 | 1.384 | 1.300 | 13 | 4-103321-2 |
| | SUPERSEDED BY 103321-3 | 3 | .284 | .200 | 2 | 4-103321-1 |
| | | 4 | 3.984 | 3.900 | 39 | 4-103321-0 |
| | OBSOLETE | 4 | 3.884 | 3.800 | 38 | 3-103321-9 |
| | OBSOLETE | 4 | 3.784 | 3.700 | 37 | 3-103321-8 |
| | OBSOLETE | 4 | 3.684 | 3.600 | 36 | 3-103321-7 |
| | | 4 | 3.584 | 3.500 | 35 | 3-103321-6 |
| | OBSOLETE | 4 | 3.484 | 3.400 | 34 | 3-103321-5 |
| | OBSOLETE | 4 | 3.384 | 3.300 | 33 | 3-103321-4 |
| | OBSOLETE | 4 | 3.284 | 3.200 | 32 | 3-103321-3 |
| | OBSOLETE | 4 | 3.184 | 3.100 | 31 | 3-103321-2 |
| | OBSOLETE | 4 | 3.084 | 3.000 | 30 | 3-103321-1 |
| | OBSOLETE | 4 | 2.984 | 2.900 | 29 | 3-103321-0 |
| | OBSOLETE | 4 | 2.884 | 2.800 | 28 | 2-103321-9 |
| | OBSOLETE | 4 | 2.784 | 2.700 | 27 | 2-103321-8 |
| | OBSOLETE | 4 | 2.684 | 2.600 | 26 | 2-103321-7 |
| | OBSOLETE | 4 | 2.584 | 2.500 | 25 | 2-103321-6 |
| | | 4 | 2.484 | 2.400 | 24 | 2-103321-5 |
| | OBSOLETE | 4 | 2.384 | 2.300 | 23 | 2-103321-4 |
| | OBSOLETE | 4 | 2.284 | 2.200 | 22 | 2-103321-3 |
| | OBSOLETE | 4 | 2.184 | 2.100 | 21 | 2-103321-2 |
| | OBSOLETE | 4 | 2.084 | 2.000 | 20 | 2-103321-1 |
| | SUPERSEDED BY 7-146274-0 | 4 | 1.984 | 1.900 | 19 | 2-103321-0 |
| | OBSOLETE | 4 | 1.884 | 1.800 | 18 | 1-103321-9 |
| | OBSOLETE | 4 | 1.784 | 1.700 | 17 | 1-103321-8 |
| | OBSOLETE | 4 | 1.684 | 1.600 | 16 | 1-103321-7 |
| | | 4 | 1.584 | 1.500 | 15 | 1-103321-6 |
| | OBSOLETE | 4 | 1.484 | 1.400 | 14 | 1-103321-5 |
| | | 4 | 1.384 | 1.300 | 13 | 1-103321-4 |
| | OBSOLETE | 4 | 1.284 | 1.200 | 12 | 1-103321-3 |
| | OBSOLETE | 4 | 1.184 | 1.100 | 11 | 1-103321-2 |
| | OBSOLETE | 4 | 1.084 | 1.000 | 10 | 1-103321-1 |
| | OBSOLETE | 4 | .984 | .900 | 9 | 1-103321-0 |
| | | 4 | .884 | .800 | 8 | 103321-9 |
| | | 4 | .784 | .700 | 7 | 103321-8 |
| | | 4 | .684 | .600 | 6 | 103321-7 |
| | | 4 | .584 | .500 | 5 | 103321-6 |
| | | 4 | .484 | .400 | 4 | 103321-5 |
| | | 4 | .384 | .300 | 3 | 103321-4 |
| | | 4 | .284 | .200 | 2 | 103321-3 |
| | | 4 | .184 | .100 | 1 | 103321-2 |
| | | 4 | .084 | - | 1 | 103321-1 |

THIS DRAWING IS A CONTROLLED DOCUMENT.

DIMENSIONS: INCHES. TOLERANCES UNLESS OTHERWISE SPECIFIED:

| | |
|--------|--------|
| 0. PLC | ± .005 |
| 1. PLC | ± .005 |
| 2. PLC | ± .005 |
| 3. PLC | ± .005 |
| 4. PLC | ± .005 |
| ANGLES | ± .005 |

MATERIAL: POST: COPPER ALLOY. FINISH: SEE TABLE.

APPROVED: J. MARTINELLI, JOHN KNITTLE, B. FLINCHBAUGH.

NAME: ASSEMBLY, HEADER, BREAKAWAY, MOD II, SINGLE ROW, .100 C/L, VERTICAL, WITH .025 SQUARE POSTS.

SIZE: A1. CAGE CODE: 00779. DRAWING NO: 103321.

SCALE: 4:1. SHEET: 1 OF 1. REV: R.

单击下面可查看定价，库存，交付和生命周期等信息

[>>TE Connectivity\(泰科\)](#)