

THIS DRAWING IS UNPUBLISHED. RELEASED FOR PUBLICATION  
 © COPYRIGHT BY TYCO ELECTRONICS CORPORATION. ALL INTERNATIONAL RIGHTS RESERVED.

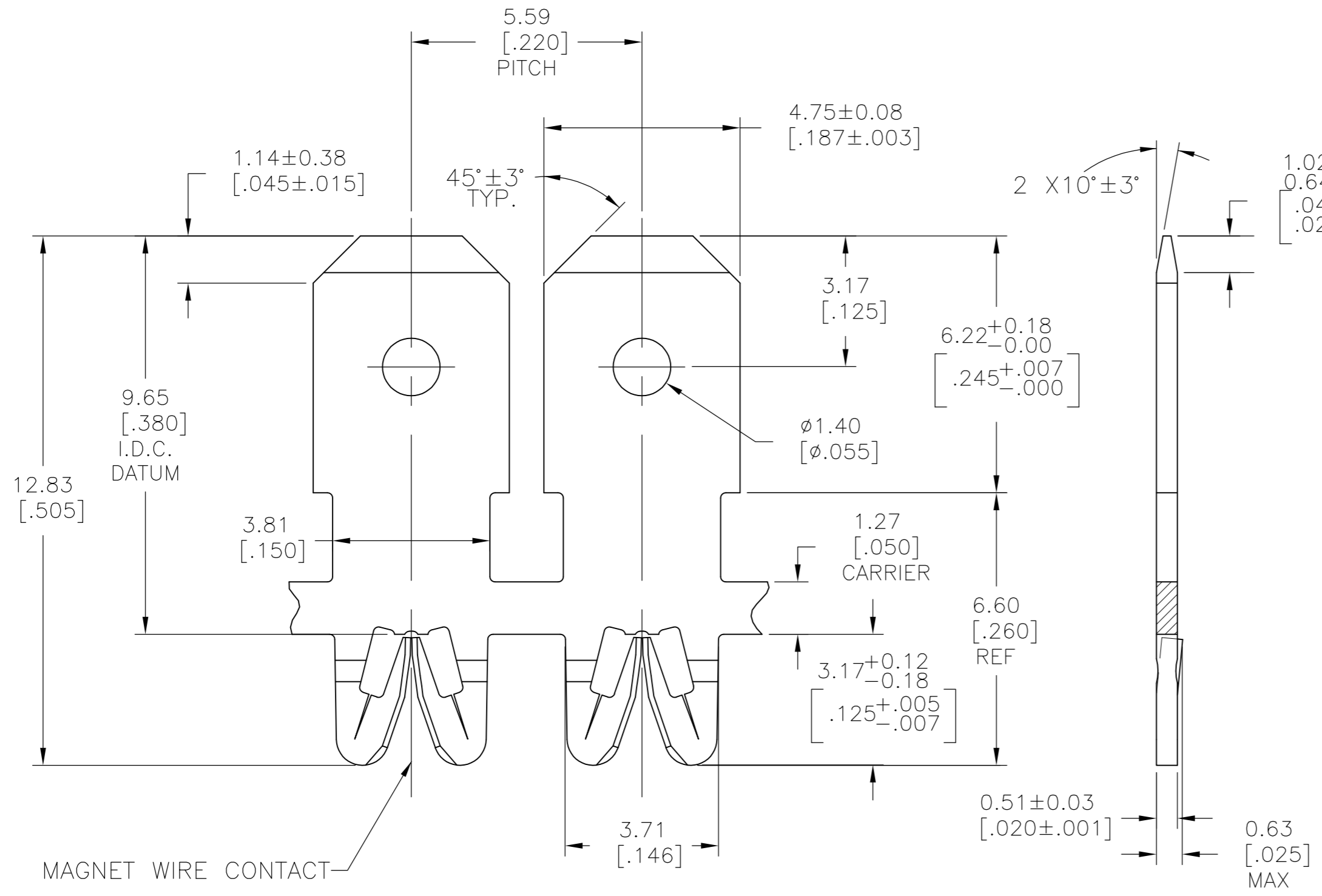
LOC		DIST		REVISIONS			
P	LTR	DESCRIPTION		DATE	DWN	APVD	
AF	50	C1	REVISED PER ECR-10-013120		24JUN10	HMR	GJ

D

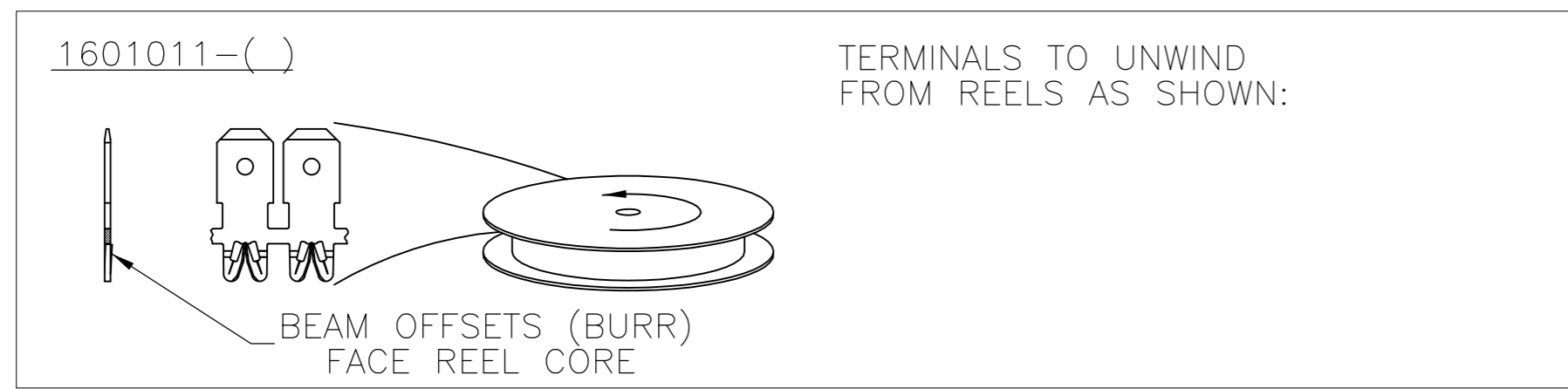
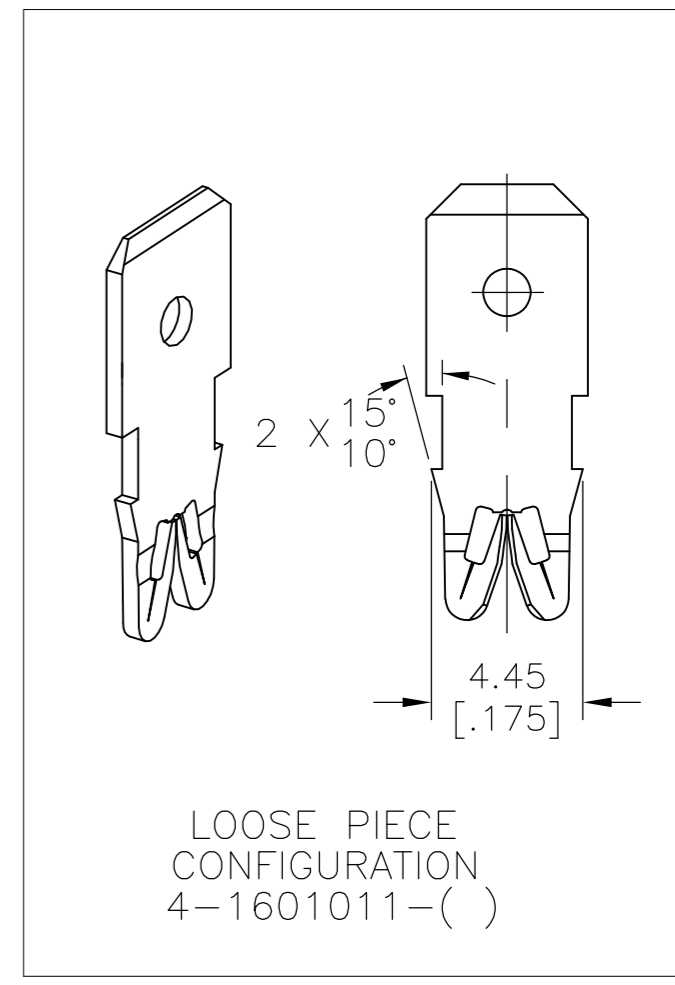
C

B

A



- 1 SPECIFICATIONS:  
MAGNET WIRE #18- #34 AWG. 1.02[.040]-0.16[.006] DIA COPPER, OTHER SIZES MAY BE ACCOMMODATED, CONSULT TYCO ELECTRONICS FOR APPROVAL.
- 2 POCKET RECOMMENDATION: # 1601427
- 3 TERMINAL APPLICATION TO COMPLY WITH TYCO ELECTRONICS SPECIFICATION 114-13166 FIGURE 15.
- 4 TWO(2) TERMINALS SHOWN FOR ILLUSTRATION PURPOSES ONLY.



-	-	-
-	-	-
-	-	-
UNPLATED	031-023-000	4-1601011-1
POST PLATED TIN OVER NICKEL	-	1601011-2
UNPLATED	131-023-000	1601011-1
FINISH	REFERENCE PART NUMBER	TE PART NUMBER
THIS DRAWING IS A CONTROLLED DOCUMENT.		DWN J.WELLER 11JAN2002
DIMENSIONS: mm [INCHES]		CHK M.FEHER 11JAN2002
TOLERANCES UNLESS OTHERWISE SPECIFIED:		APVD K.RANDOLPH 11JAN2002
0 PLC ± -	1 PLC ± -	NAME Tyco Electronics Corporation Harrisburg, PA 17105-3608
2 PLC ± 0.13[.005]	3 PLC ± -	PRODUCT SPEC 108-2085
4 PLC ± -	ANGLES ± 2°	APPLICATION SPEC 3
MATERIAL BRASS, SPRING HARD	FINISH SEE TABLE	WEIGHT -
		SIZE A2
		CAGE CODE 00779
		DRAWING NO C=1601011
CUSTOMER DRAWING		RESTRICTED TO -
		SCALE 9:1
		SHEET 1 of 1
		REV C1

1601011

单击下面可查看定价，库存，交付和生命周期等信息

[>>TE Connectivity\(泰科\)](#)