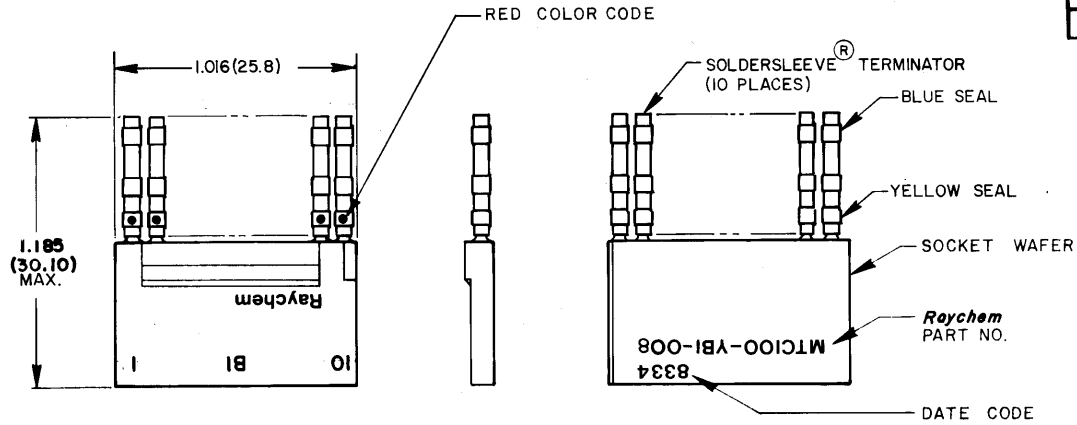


REVISONS			
LTR	DESCRIPTION	DATE	APPROVED
B	REVISED PER ECN # T-5871	4-13-86	JB



- NOTES:**
- MATERIAL;** I-A SOCKET WAFER; INSERT MATERIAL HIGH GRADE POLYARYLENE THERMOPLASTIC  
I-B SOCKET CONTACT; COPPER ALLOY PER QQ-B-750  
I-C SOLDERSLEEVE<sup>®</sup> TERMINATOR; REFER TO RAYCHEM DWG. CTA-0068 FOR DATA.
  - FINISH;** 2-A SOCKET WAFER; FINISH TO BE MOLDED  
2-B SOCKET CONTACT ENGAGING AREA; GOLD PLATE PER MIL-G-45204, CLASS I  
2-C CONTACT TAIL; SOLDER COATED PER QQ-S-571 Sn63
  - WAFER;** WAFER DESIGNED FOR USE WITH CONNECTORS DESIGNED TO *Raychem* SPECIFICATION D-6012
  - SOCKET ONE;** SOCKET NUMBER ONE MARKED IN CONTRASTING COLOR.

© Raychem Corporation 1983

WEIGHT (MAX);	LBS.	GRAMS
	.0054	2.46

If this document is printed it becomes uncontrolled.  
Check with the web for latest revision.

## SPECIFICATION CONTROL DRAWING

ITEM	QTY	PART NO.	DWG OR SPEC. NO.	DESCRIPTION
				<b>PARTS LIST</b>
				<b>Raychem</b>
				RAYCHEM CORPORATION 300 CONSTITUTION DRIVE MENLO PARK, CALIFORNIA 94025
				TITLE WAFER "B" 1" SOCKET, SPECIAL 1" FOR USE IN MTC100 2" CONNECTOR, 125°C OPERATING TEMP. FOR 20-26 AWG ROUND WIRE TERMINATION, OVAL ENTRY, MTC100 SERIES (P.A.S.S.)
				FSCM NO. <b>B 06090</b> DWG NO. <b>MTC100-YBI-008</b>
				SCALE <b>NONE</b> DO NOT SCALE THIS DWG SHEET 1 OF 1

THIRD ANGLE PROJECTION	MATERIAL	DRAWN <i>Pence</i>	DATE 4-11-83
	FINISH	CHECKED <i>KJ</i>	DATE
		APPROVED <i>[Signature]</i>	DATE 4-16-83
		APPROVED <i>[Signature]</i>	DATE 4-22-83
NEXT ASSY	USED ON	PROJECT NO.	
THIS DRAWING AND THE INFORMATION SET FORTH HEREON ARE THE PROPERTY OF RAYCHEM CORPORATION AND ARE TO BE HELD IN TRUST AND CONFIDENCE. PUBLICATION, DUPLICATION, DISCLOSURE, OR USE FOR ANY PURPOSE NOT EXPRESSLY AUTHORIZED IN WRITING BY RAYCHEM CORPORATION IS PROHIBITED.		UNLESS OTHERWISE SPECIFIED DIMENSIONS ARE IN INCHES AND TOLERANCES ARE: DEC .XX ±.02 DEC .XXX ±.005 ANGLES ± MM ±	

单击下面可查看定价，库存，交付和生命周期等信息

[>>TE Connectivity\(泰科\)](#)