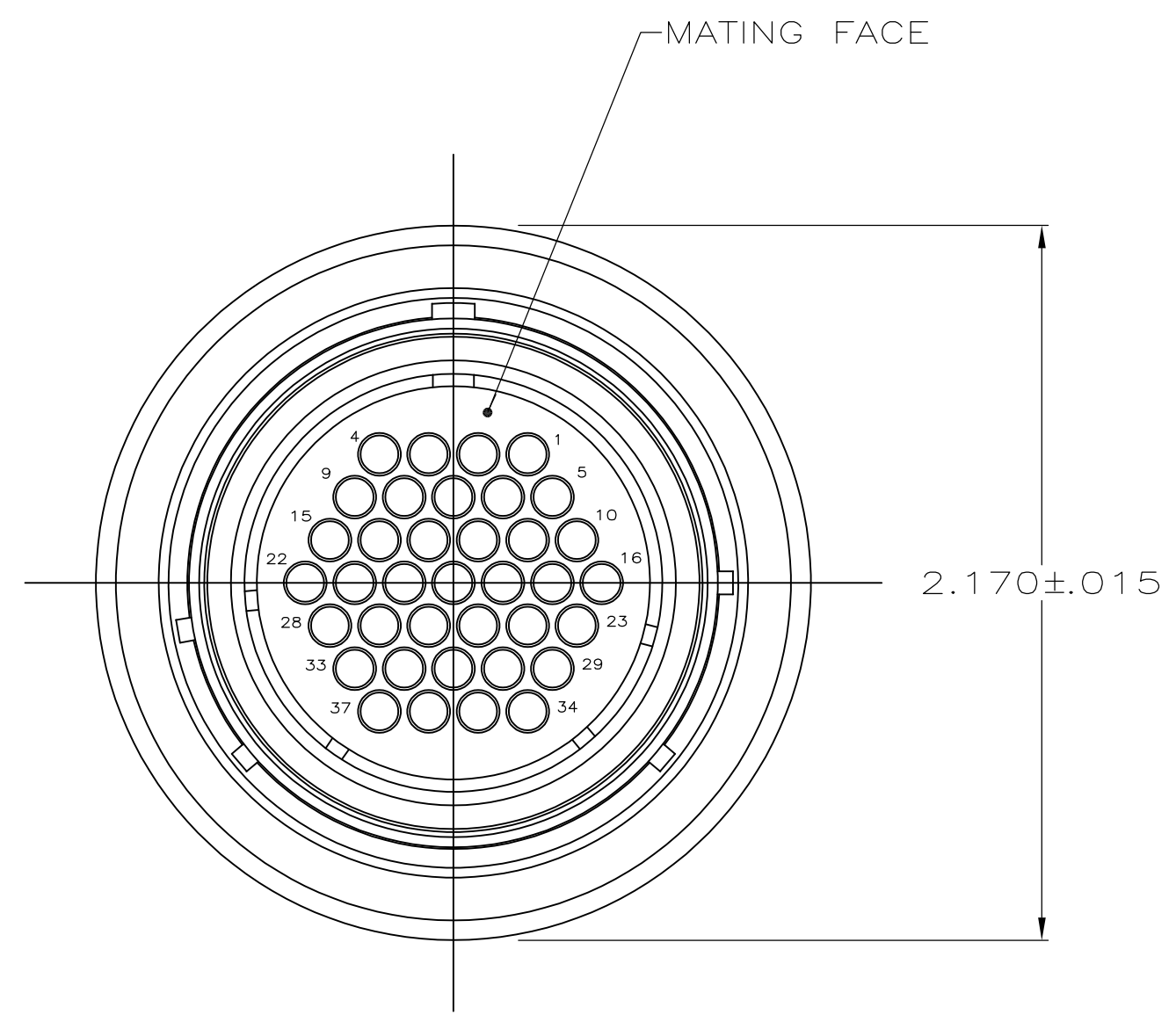
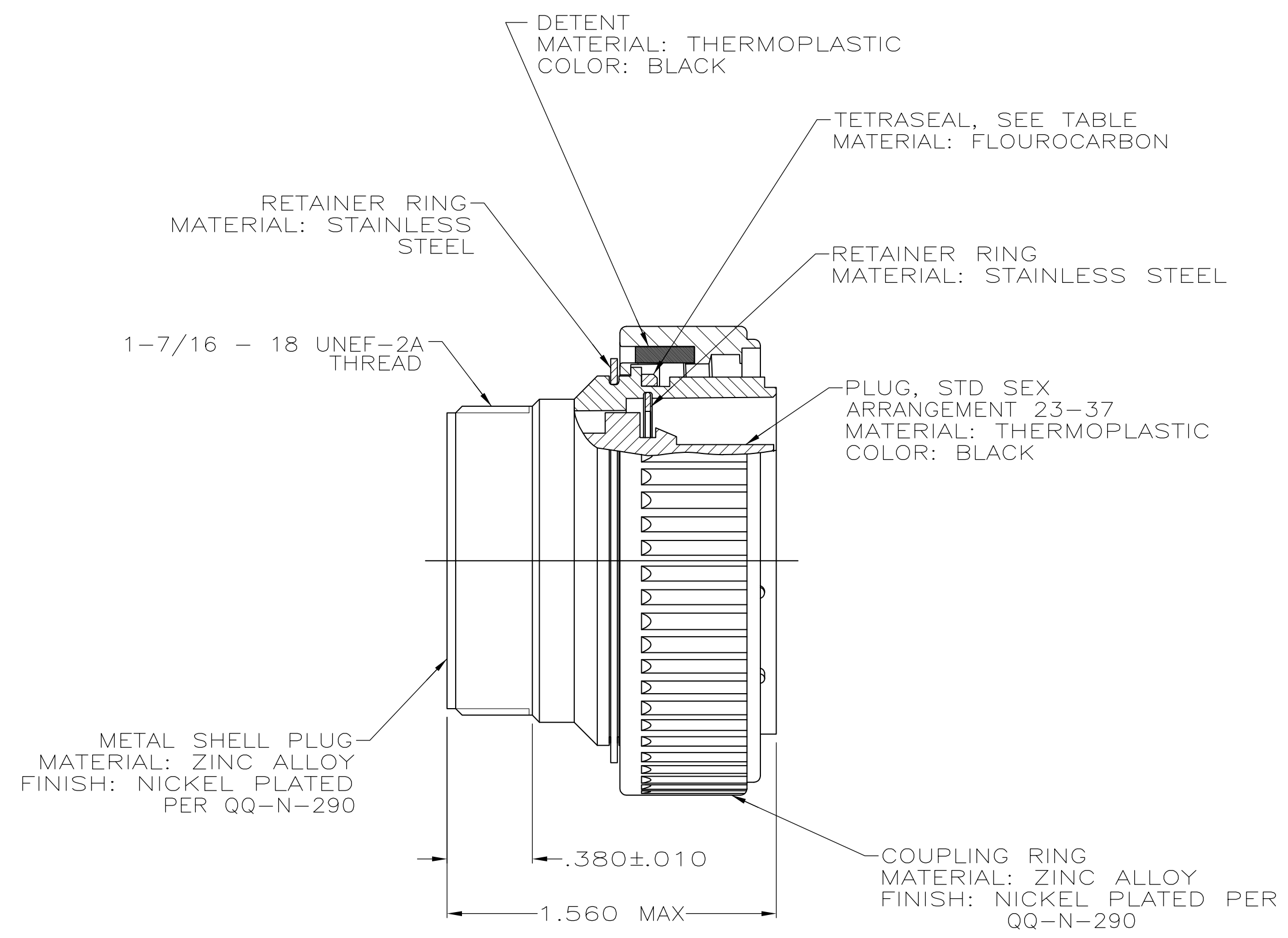


THIS DRAWING IS UNPUBLISHED. RELEASED FOR PUBLICATION
 © COPYRIGHT - By - ALL RIGHTS RESERVED.

LOC	DIST	REVISIONS			
P	LTR	DESCRIPTION	DATE	DWN	APVD
BD	35	S1	REVISED PER ECO-11-005027	11MAR11	RK HMR



- 208470-1 MATES WITH AMP RECEPTACLE 208471-1 OR -2.
208470-3 MATES WITH AMP RECEPTACLE 208471-1 ONLY.
- AMP PART NUMBER AND DATE CODE TO BE LOCATED ON COUPLING RING.

YES	208470-3
NO	208470-1
TETRASEAL	PART NUMBER

THIS DRAWING IS A CONTROLLED DOCUMENT.		DWN	R.LEE BG	6-25-91	 TE Connectivity PLUG ASSEMBLY, STD SEX, SERIES 1, 28-37, CMC
DIMENSIONS: INCHES		CHK	W.G.LENKER	4-16-92	
TOLERANCES UNLESS OTHERWISE SPECIFIED:		APVD	K.BEAVER	4-16-92	
0 PLC ± - 1 PLC ± - 2 PLC ± - 3 PLC ± - 4 PLC ± - ANGLES ± -		PRODUCT SPEC	108-10040	NAME	
MATERIAL	SEE CALLOUT	FINISH	SEE CALLOUT	WEIGHT	-
CUSTOMER DRAWING		SCALE	2:1	SHEET	1 of 1
		SIZE	A2	CAGE CODE	00779
		DRAWING NO	C=208470	RESTRICTED TO	-
		REV	S1		

单击下面可查看定价，库存，交付和生命周期等信息

[>>TE Connectivity\(泰科\)](#)