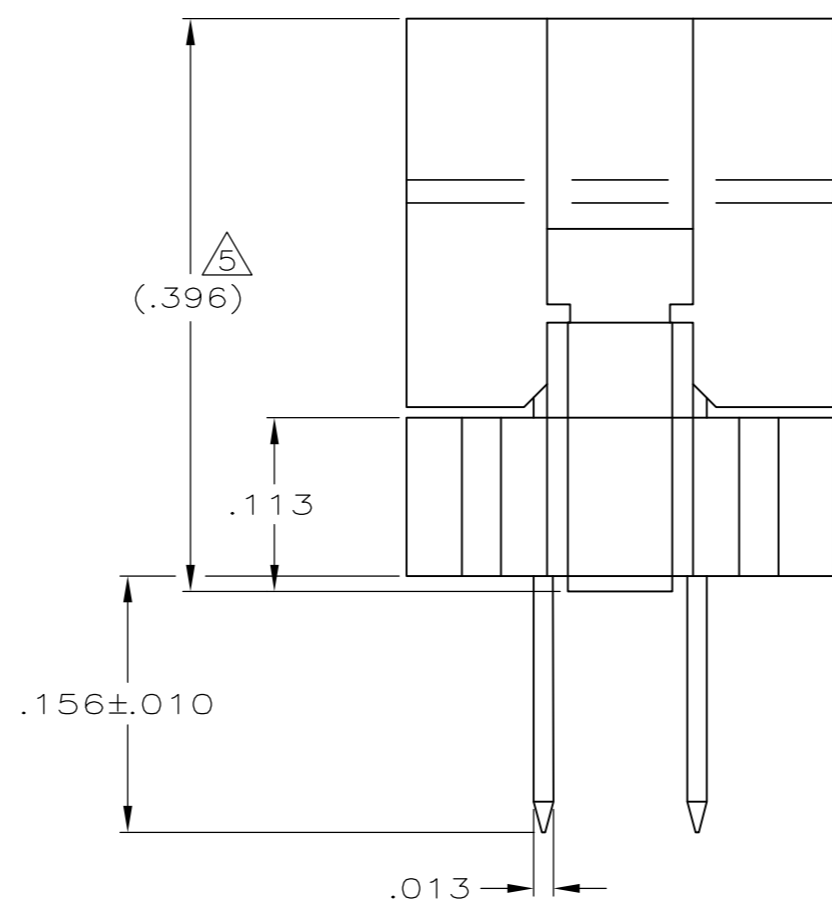
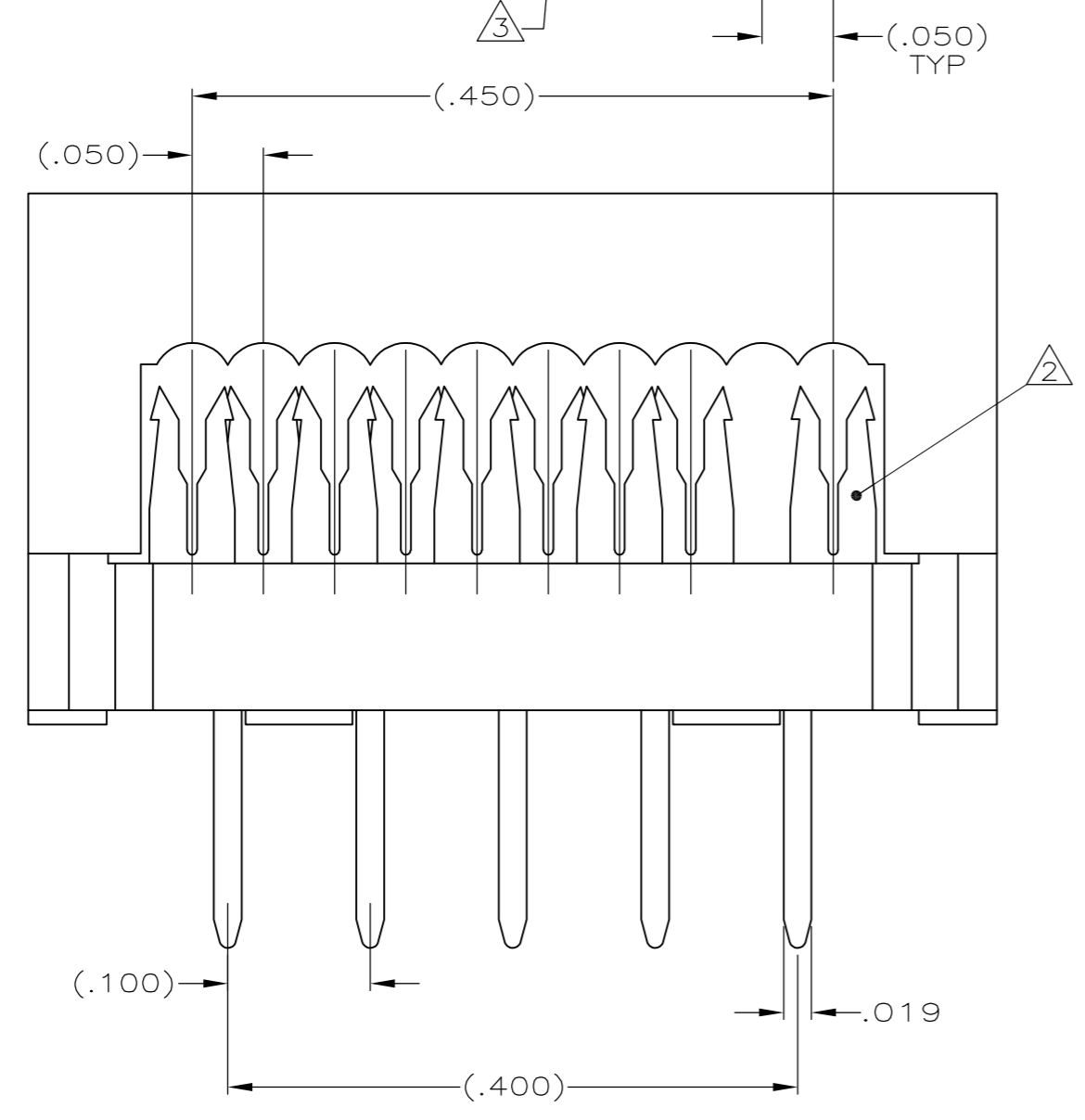
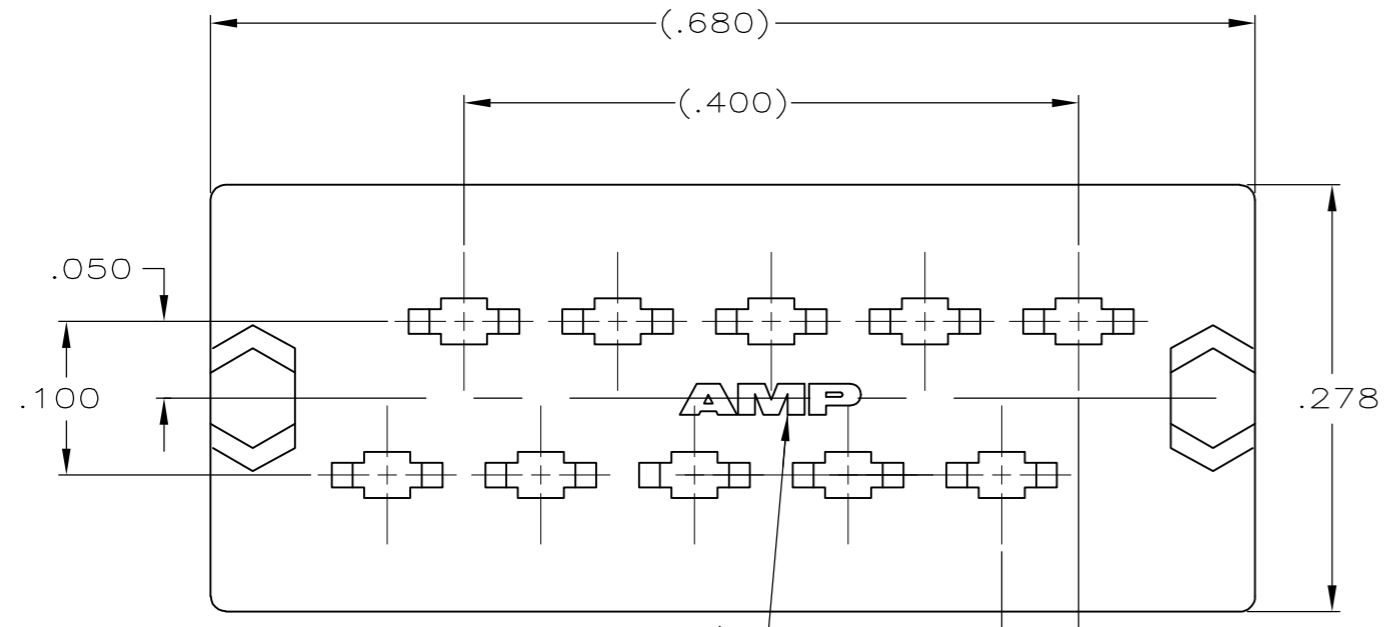
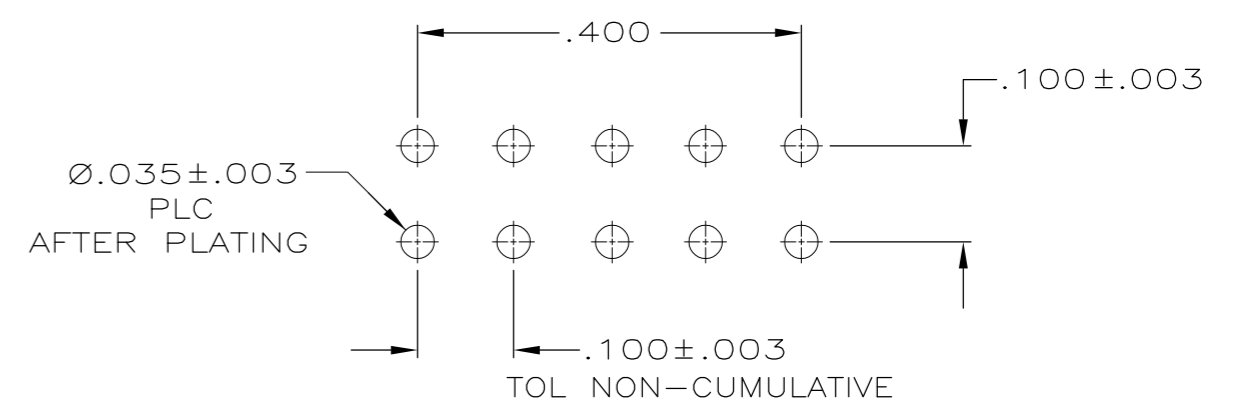


THIS DRAWING IS UNPUBLISHED. RELEASED FOR PUBLICATION  
 © COPYRIGHT - By - ALL RIGHTS RESERVED.

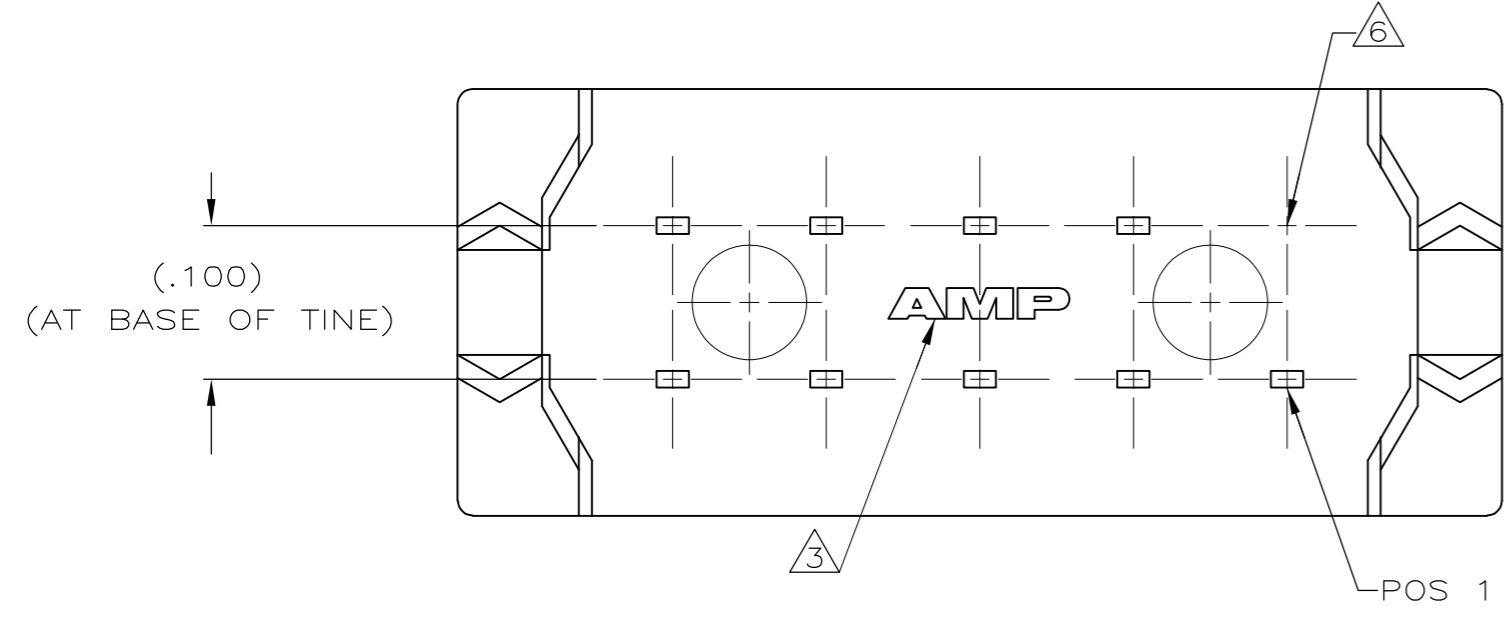
LOC		DIST		REVISIONS			
P	LTR	DESCRIPTION	DATE	DWN	APVD		
B		REVISED PER ECO-13-012013	09AUG2013	CJV	CWR		



- 1 MOLDED PARTS: 94V-0 RATED THERMOPLASTIC, COLOR: BLACK CONTACTS: PHOS BRONZE
- 2 CONTACTS DESIGNED FOR 26 & 28 AWG STRANDED OR 26, 28 & 30 AWG SOLID WIRE.
- 3 AMP TRADEMARK LOCATED IN APPROX AREA SHOWN; MAY BE INVERTED.
- 4 .000005 MIN GOLD ON RIBBON CABLE TERMINATION AREA .000100-.000200 MATTE TIN ON SOLDER TAILS, ALL OVER .000050 MIN NICKEL.
- 5 HEIGHT AFTER TERMINATION IS .253 REF.
- 6 NO CONTACT IN POSITION 2. POSITION 1 IS ON THE SAME END AS THE MISSING CONTACT.
- 7 ONE HOLE CAN BE ELIMINATED AT CUSTOMER'S LOCATION OF PIN 2.



RECOMMENDED HOLE LAYOUT  
 SCALE 5:1



10	6364555-1
NO OF POSN	PART NUMBER

THIS DRAWING IS A CONTROLLED DOCUMENT.		DWN	11-29-04	G. ATTADIA - DOCK5		TE Connectivity	
DIMENSIONS: INCHES		CHK	11-29-04	C. ROHDE		KIT, AMP-LATCH DIP PLUG, PREASSEMBLED .100 X .100 CENTERS	
TOLERANCES UNLESS OTHERWISE SPECIFIED:		APVD	11-29-04	M. WALMSLEY		NAME	
0 PLC	± -	PRODUCT SPEC		108-1538		SIZE	
1 PLC	± -	APPLICATION SPEC		114-40005		CAGE CODE	
2 PLC	± -	WEIGHT		-		DRAWING NO	
3 PLC	± .005	CUSTOMER DRAWING		SCALE 8:1		SHEET 1 of 1	
4 PLC	± -	SCALE		8:1		REV B	
ANGLES	± -	SHEET		1 of 1		REV B	
FINISH	4	SCALE		8:1		REV B	

单击下面可查看定价，库存，交付和生命周期等信息

[>>TE Connectivity\(泰科\)](#)