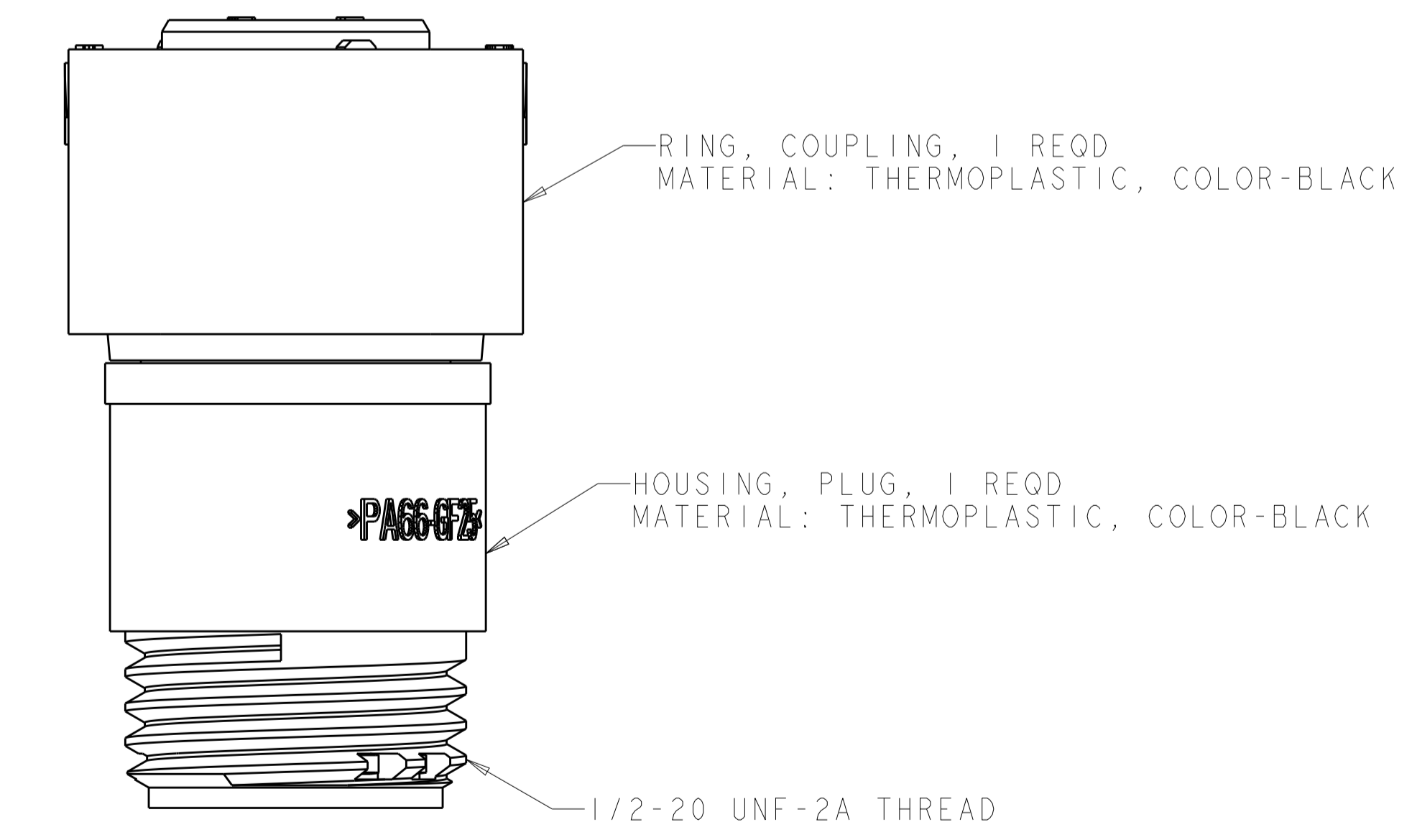
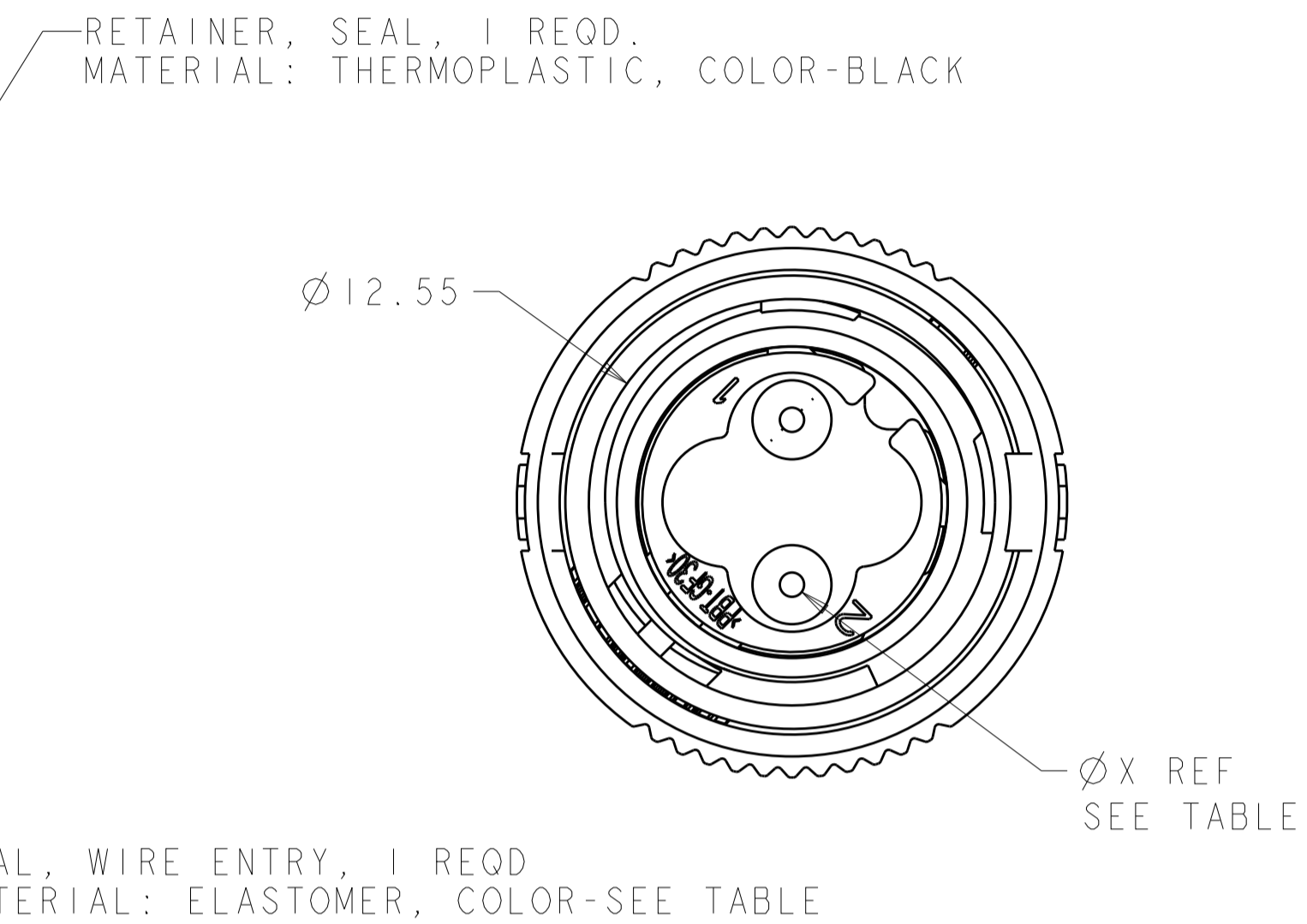
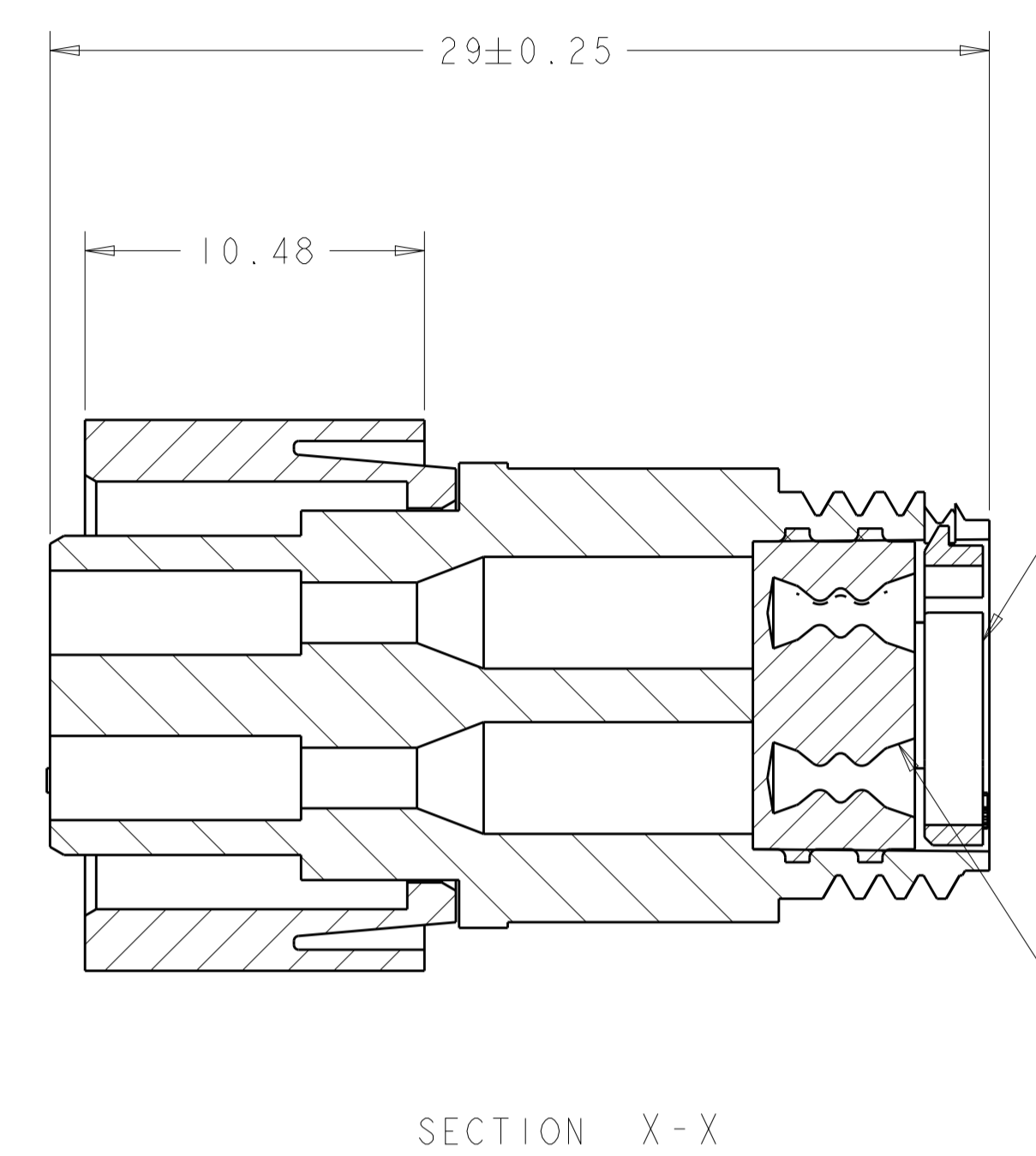
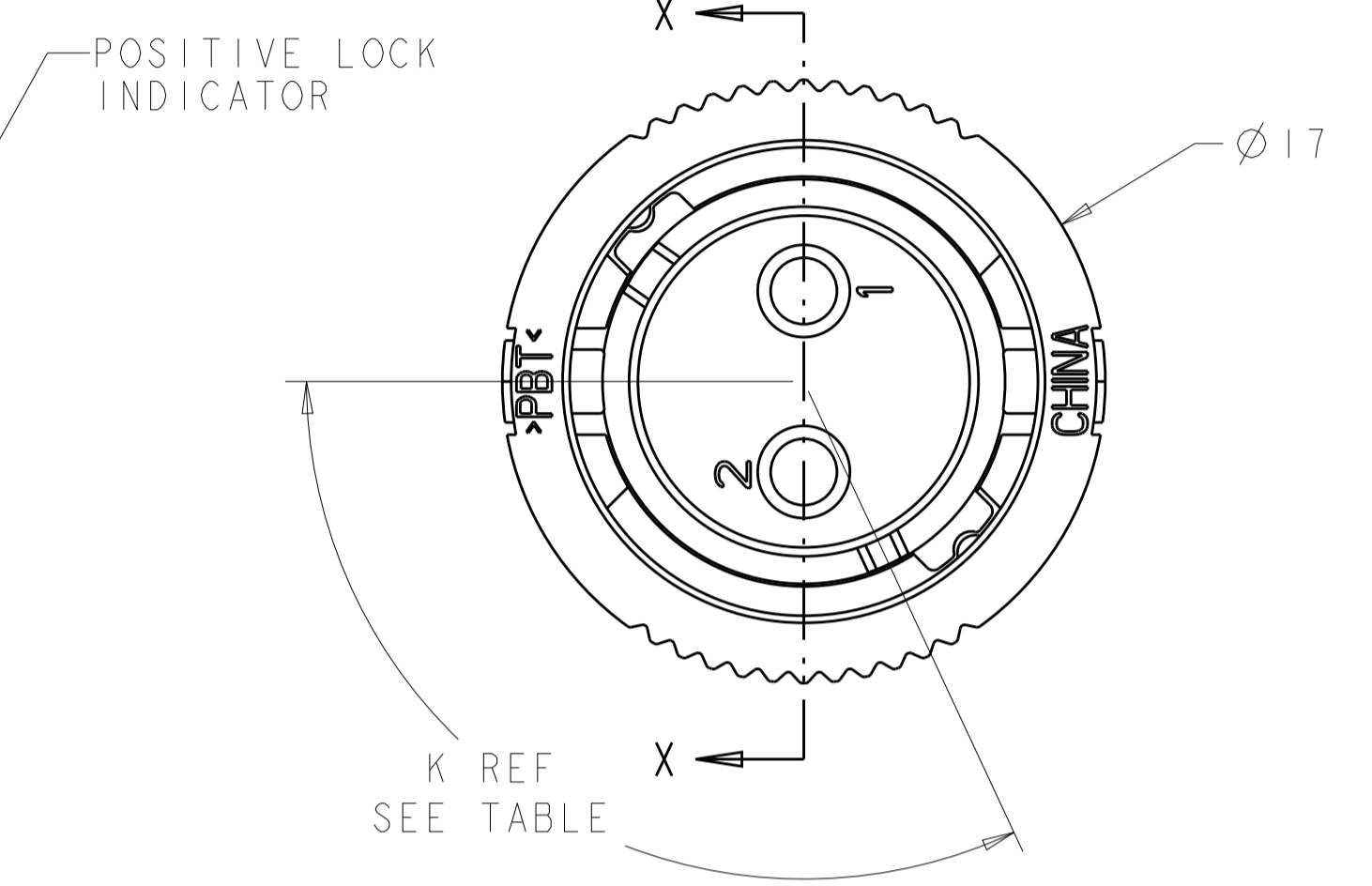
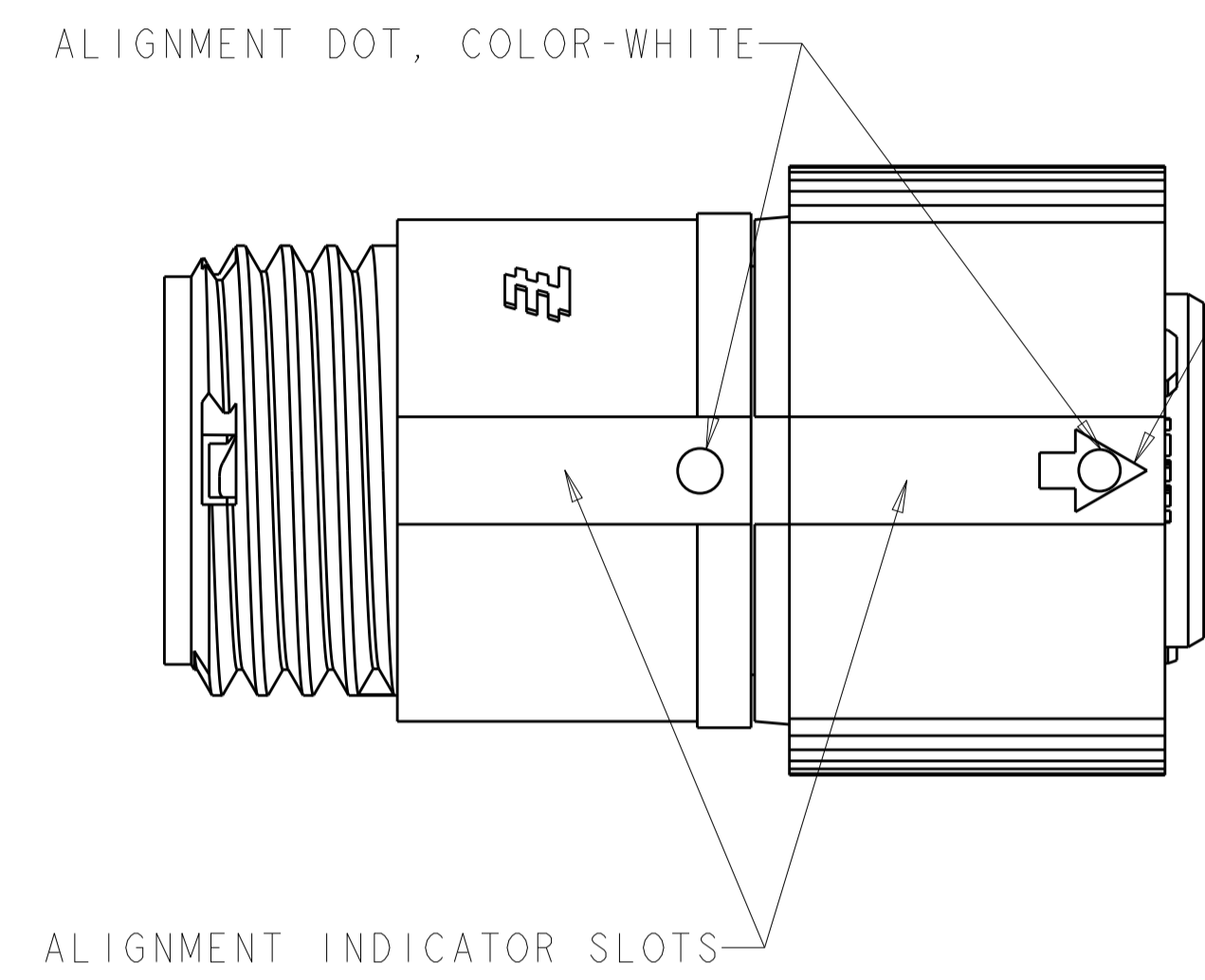


REVISIONS				
P.	LTN	DESCRIPTION	DATE	APVD
B3		REVISED PER ECO-15-010004	13JUL2015	NK MZ
C		REVISED PER ECO-16-018352	24MAR2017	RS MZ



OBSOLETE	YELLOW	Ø 0.75	130°	1445535-04
	NATURAL	Ø 1.5	115°	1445535-03
OBSOLETE	NATURAL	Ø 1.5	130°	1445535-02
	YELLOW	Ø 0.75	115°	1445535-01
	SEAL, WIRE ENTRY COLOR	Ø X REF	K REF	PART NUMBER

THIS DRAWING IS A CONTROLLED DOCUMENT.		DWN S. WIEST 07MAY2001	TE Connectivity
DIMENSIONS:		CHK G. DOUITY 07MAY2001	
mm	TOLERANCES UNLESS OTHERWISE SPECIFIED:	APVD H. WAKEEM 12JUN2003	NAME ASSEMBLY, PLUG, SIZE 8, 2 POSITION, SEALED, MINI CPC
0 PLC ± 1 PLC ±0.5 2 PLC ±0.13 3 PLC ±0.013 4 PLC ±0.0001 ANGLES ±	MATERIAL SEE CALLOUT FINISH SEE CALLOUT	PRODUCT SPEC APPLICATION SPEC WEIGHT CUSTOMER DRAWING	SIZE A100779 CAGE CODE C=1445535 DRAWING NO SCALE 5:1 SHEET 1 OF 1 REV C

单击下面可查看定价，库存，交付和生命周期等信息

[>>TE Connectivity\(泰科\)](#)